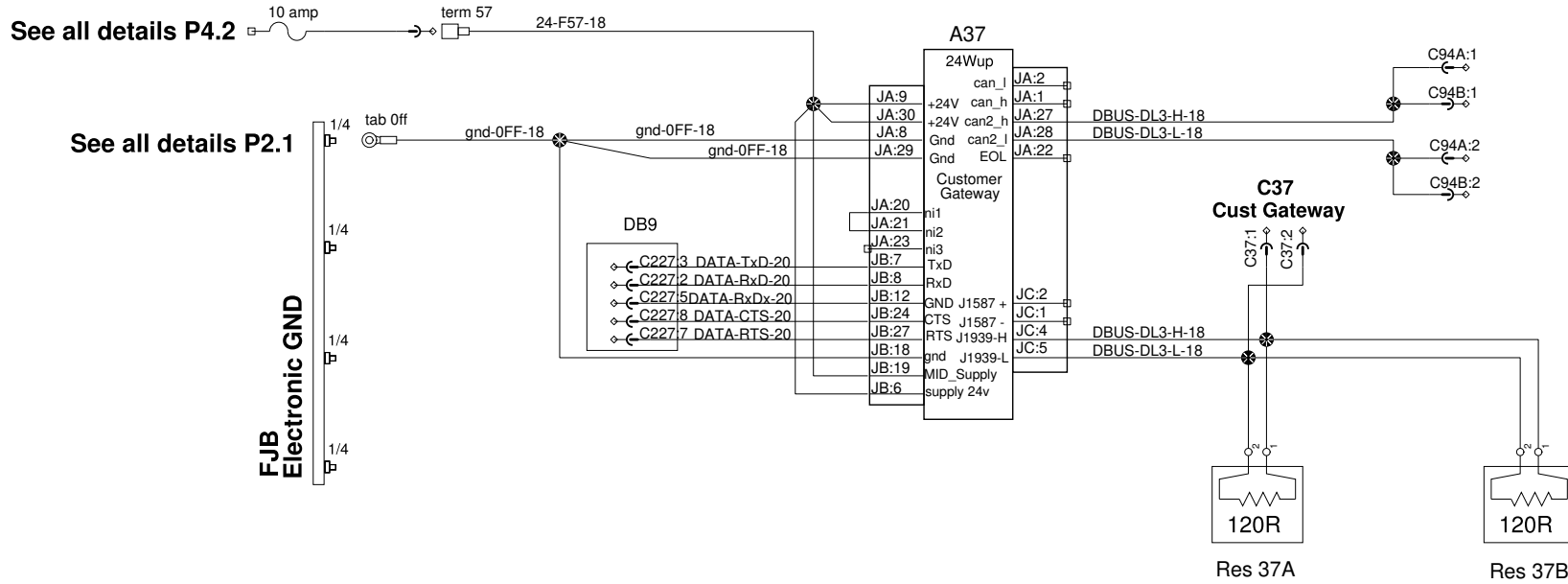


MCM CUSTOMER GATEWAY

VIP = splice with existing wire 24 wupA
 WE, W5 = Use terminal include with cable
 F57 VECF2:E



See all details P4.2

See all details P2.1

FJB
Electronic GND