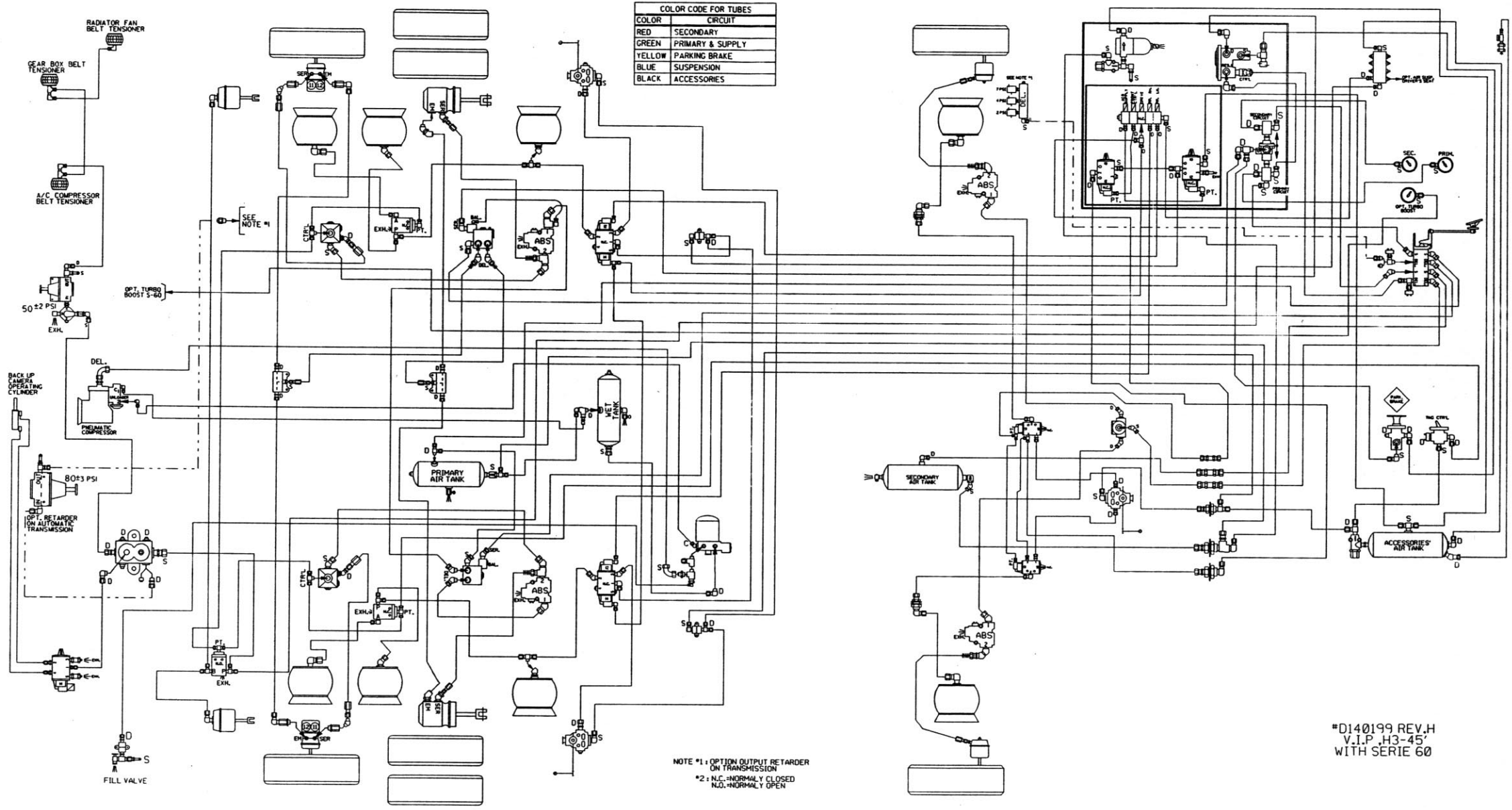


COLOR CODE FOR TUBES	
COLOR	CIRCUIT
RED	SECONDARY
GREEN	PRIMARY & SUPPLY
YELLOW	PARKING BRAKE
BLUE	SUSPENSION
BLACK	ACCESSORIES



NOTE #1: OPTION OUTPUT RETARDER ON TRANSMISSION
 #2: N.C.-NORMALLY CLOSED
 N.O.-NORMALLY OPEN

#D140199 REV.H
 V.I.P. H3-45'
 WITH SERIE 60