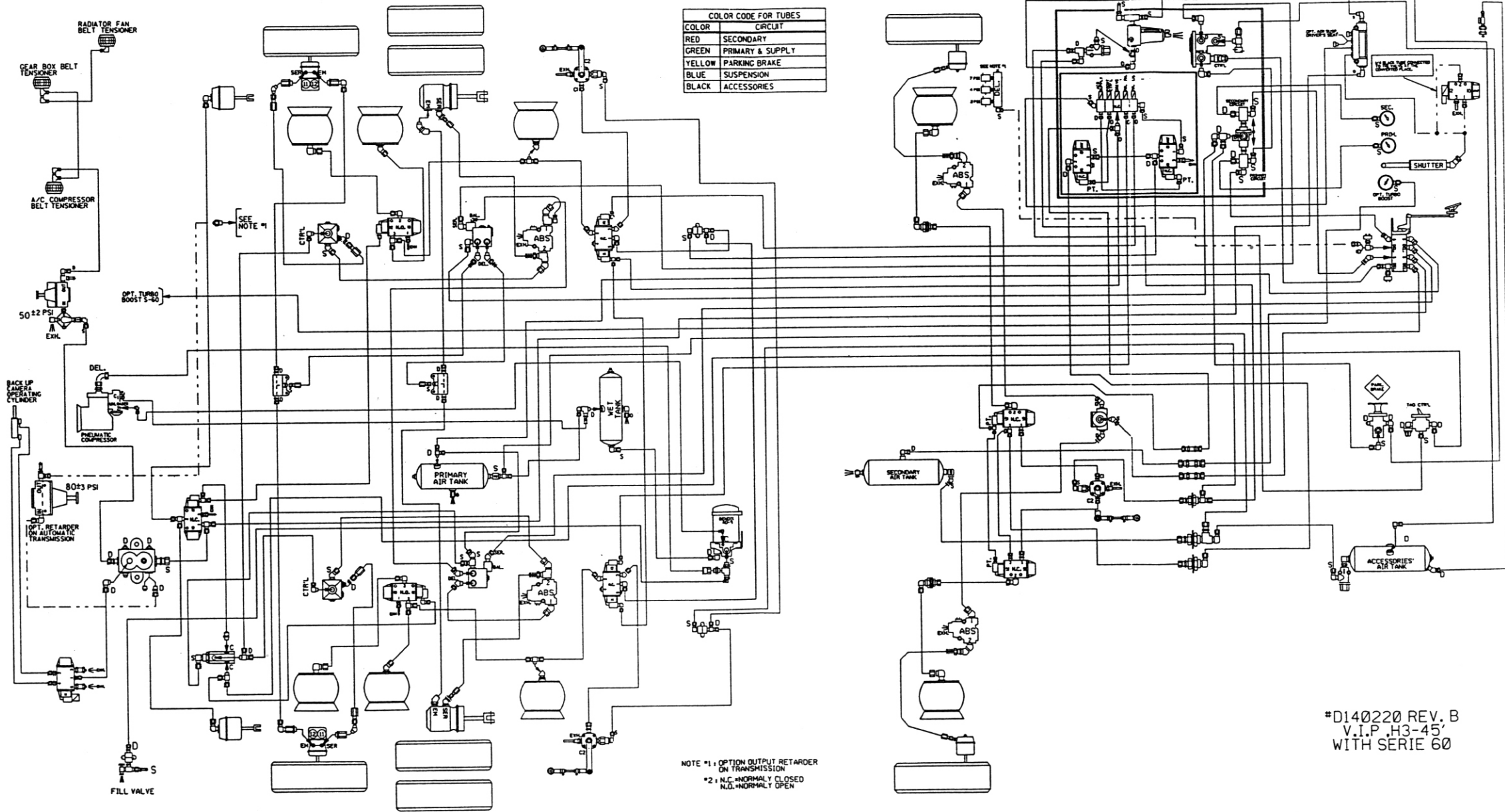


COLOR CODE FOR TUBES	
COLOR	CIRCUIT
RED	SECONDARY
GREEN	PRIMARY & SUPPLY
YELLOW	PARKING BRAKE
BLUE	SUSPENSION
BLACK	ACCESSORIES



NOTE #1: OPTION OUTPUT RETARDER ON TRANSMISSION  
 #2: N.C. = NORMALLY CLOSED  
 N.O. = NORMALLY OPEN

#D140220 REV. B  
 V.I.P. H3-45  
 WITH SERIE 60