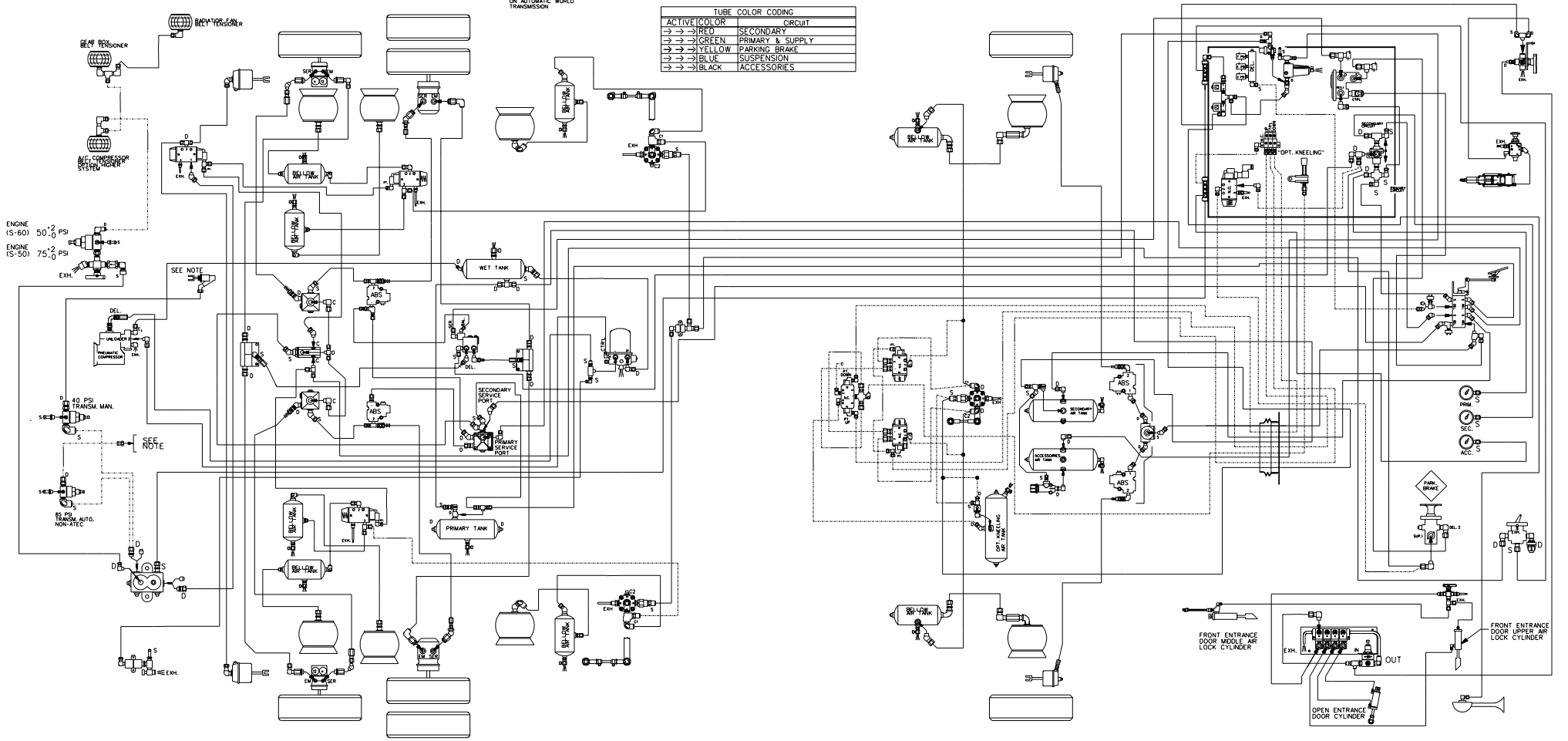


NOTE: WITH "OUTPUT RETARDER" ON AUTOMATIC WORLD TRANSMISSION

ACTIVE COLOR	CIRCUIT
→ → → RED	SECONDARY
→ → → GREEN	PRIMARY & SUPPLY
→ → → YELLOW	PARKING BRAKE
→ → → BLUE	SUSPENSION
→ → → BLACK	ACCESSORIES



DATE: 12-1999

#D140256 P.1 REV.B  
 COACH XL2 45' (I.S.S.)  
 INDEPENDENT SUSPENSION SYSTEM