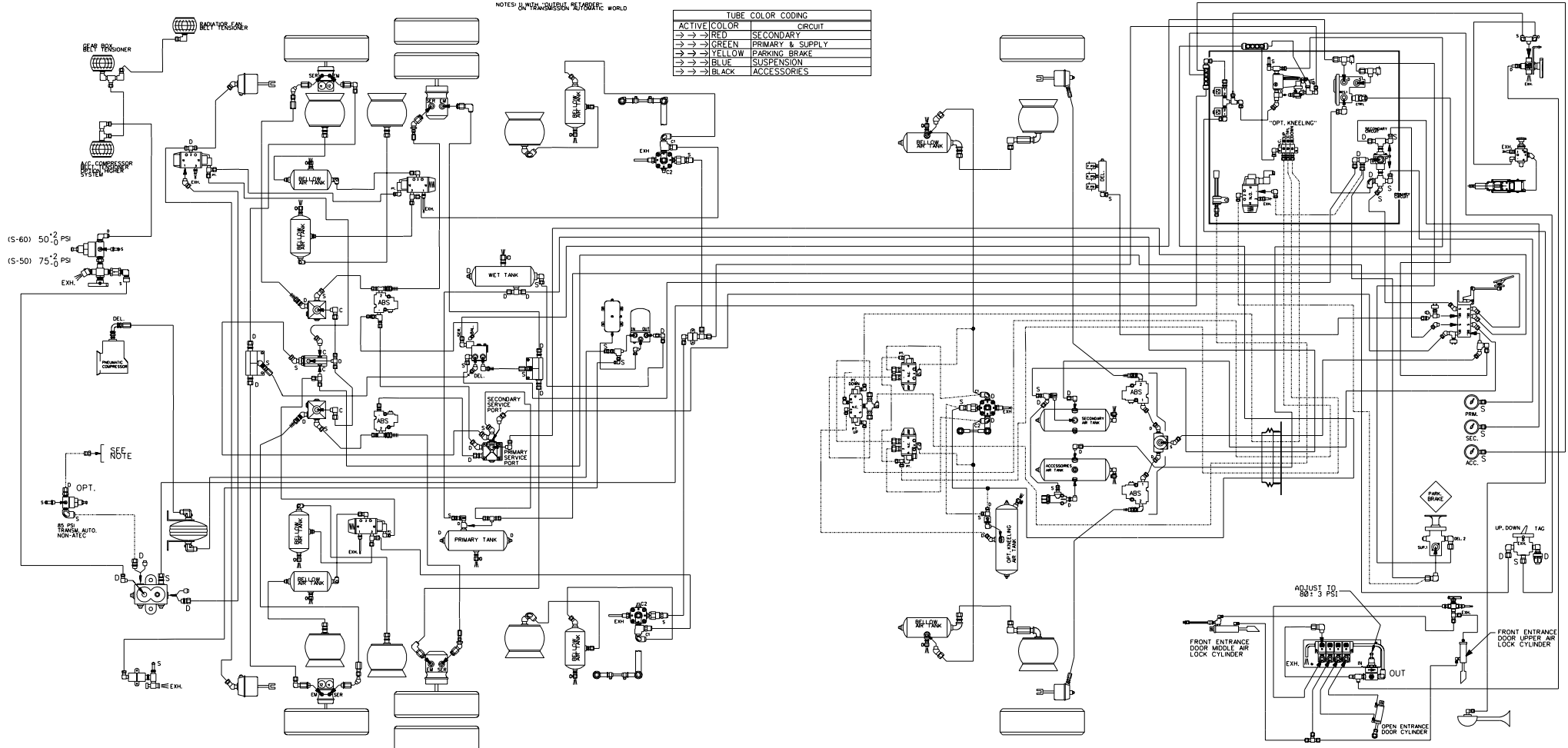


NOTES: IN THIS SYSTEM, SEPARATE WORLD

TUBE COLOR CODING	
ACTIVE COLOR	CIRCUIT
→ → → RED	SECONDARY
→ → → GREEN	PRIMARY & SUPPLY
→ → → YELLOW	PARKING BRAKE
→ → → BLUE	SUSPENSION
→ → → BLACK	ACCESSORIES



DATE: 2001-06

#D140256 P.1 REV.G
 COACH XL2 45' (I.S.S.)
 INDEPENDENT SUSPENSION SYSTEM