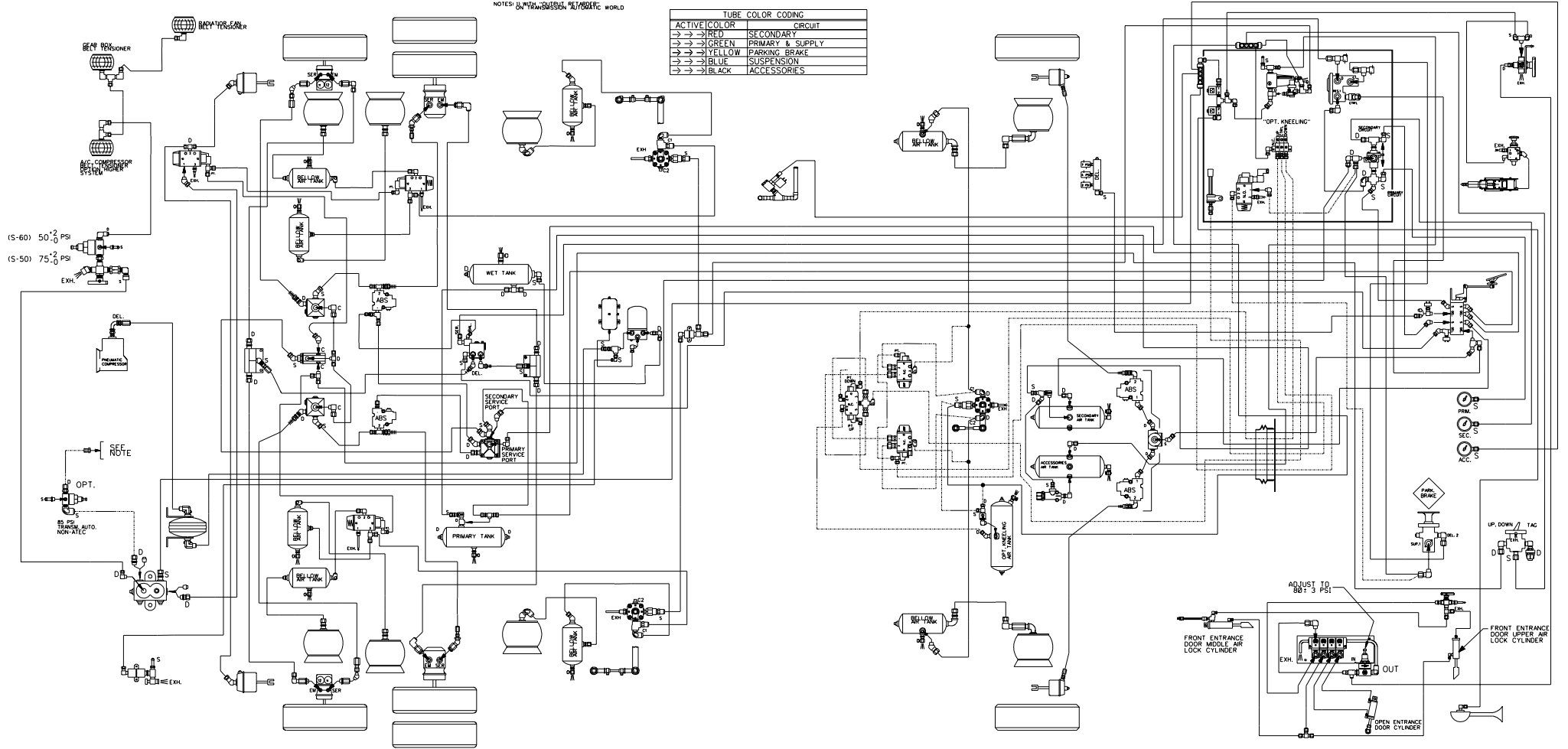


NOTES: 1. WET TANKS SET TO 80 ± 3 PSI

ACTIVE COLOR	CIRCUIT
→ → → RED	SECONDARY
→ → → GREEN	PRIMARY & SUPPLY
→ → → YELLOW	PARKING BRAKE
→ → → BLUE	SUSPENSION
→ → → BLACK	ACCESSORIES



DATE: 2001-12

#D140256 P.1 REV.H
 COACH XL2 45' (I.S.S.)
 INDEPENDENT SUSPENSION SYSTEM