

# SECTION 23: ACCESSORIES

## CONTENTS

<b>1. AUDIO AND VIDEO EQUIPMENT DESCRIPTION</b> .....	<b>23-4</b>
1.1 AMP-3000 (HIGH POWER AMPLIFIER) .....	23-5
1.1.1 Removal .....	23-5
1.2 AM/FM RADIO .....	23-5
1.2.1 AM/FM Radio Cassette and Disc CD Changer .....	23-5
1.2.2 AM/FM Radio / CD 1 Disc .....	23-6
1.2.3 Removal .....	23-6
1.3 CONTROL HEAD .....	23-6
1.3.1 Removal .....	23-7
1.4 VIDEO CASSETTE PLAYER (VCP) .....	23-7
1.4.1 Removal .....	23-7
1.4.2 Installation .....	23-7
1.5 BOOM-TYPE MICROPHONE .....	23-7
1.5.1 Removal .....	23-7
1.5.2 Installation .....	23-7
1.6 HANDHELD PRIORITY MICROPHONE .....	23-8
1.7 RUBBER COATED MICROPHONE .....	23-8
1.8 WIRELESS MICROPHONE .....	23-8
1.9 TV TUNER .....	23-8
1.10 KARAOKE .....	23-8
1.10.1 Karaoke Panasonic Sound System – Mobile Dvd Player DV1500 .....	23-9
1.11 DRIVER’S SPEAKERS .....	23-9
1.12 MONITOR .....	23-9
1.12.1 Removal .....	23-9
1.12.2 Installation .....	23-9
1.13 SCENIC VIEWING SYSTEM .....	23-9
1.14 ROOF ANTENNA INSTALLATION .....	23-10
<b>2. HUBODOMETER</b> .....	<b>23-10</b>
2.1 DESCRIPTION .....	23-10
2.2 OPERATION .....	23-10
2.3 REMOVAL .....	23-10
2.4 INSTALLATION .....	23-10
<b>3. BACK-UP CAMERA AND MONITOR</b> .....	<b>23-10</b>
<b>4. COLD STARTING AID (ETHER)</b> .....	<b>23-10</b>
4.1 PREVENTIVE MAINTENANCE .....	23-11
4.2 TROUBLESHOOTING (IF SYSTEM IS NON-FUNCTIONING) .....	23-11
5.3 THERMAL CUTOUT VALVE QUICK TEST .....	23-12
<b>5. DESTINATION SIGN</b> .....	<b>23-12</b>
5.1 DESCRIPTION .....	23-12
5.2 MAINTENANCE .....	23-12
5.3 DESTINATION SIGN LIGHT REPLACEMENT .....	23-12
5.4 ELECTRIC MOTOR REMOVAL AND INSTALLATION .....	23-12
5.5 SIGN CURTAIN REPAIR .....	23-13
<b>6. LAVATORY</b> .....	<b>23-13</b>

**Section 23: ACCESSORIES**

---

6.1	DESCRIPTION .....	23-13
6.2	MAINTENANCE .....	23-14
6.3	VENTILATION FAN .....	23-14
6.3.1	<i>Description</i> .....	23-14
6.3.2	<i>Maintenance</i> .....	23-14
6.3.3	<i>Removal and Installation</i> .....	23-14
6.4	DOOR LOCK .....	23-14
6.5	LAVATORY LIGHT .....	23-15
6.6	LAVATORY NIGHT-LIGHT .....	23-15
6.7	EMERGENCY BUZZER .....	23-15
6.8	FRESH WATER TANK .....	23-15
6.8.1	<i>Fresh Water Tank Draining</i> .....	23-15
6.8.2	<i>Fresh Water tank Filling</i> .....	23-16
6.9	LIQUID SOAP DISPENSER .....	23-16
6.10	FLUSH PUSH-BUTTON .....	23-17
6.10.1	<i>Pneumatic Timer Removal and Installation</i> .....	23-17
6.10.2	<i>Timer Adjustment</i> .....	23-17
6.11	FLUSH PUMP .....	23-17
6.11.1	<i>Flush Pump Removal</i> .....	23-17
6.12	SUMP TANKS .....	23-17
6.12.1	<i>Main Sump Tank Draining</i> .....	23-17
6.12.2	<i>Main Sump Tank Filling</i> .....	23-17
6.12.3	<i>Auxiliary sump Tank Draining</i> .....	23-18
<b>7.</b>	<b>AIR HORN VALVE .....</b>	<b>23-18</b>
7.1	AIR HORN VALVE MAINTENANCE .....	23-18
<b>8.</b>	<b>WINDSHIELD WIPERS AND WASHERS .....</b>	<b>23-18</b>
8.1	GENERAL DESCRIPTION .....	23-18
8.2	WIPER ARM .....	23-19
8.2.1	<i>Wiper Arms Positioning</i> .....	23-19
8.3	WINDSHIELD WIPER MOTOR .....	23-20
8.3.1	<i>Windshield Wiper Motor Replacement</i> .....	23-20
8.4	TROUBLESHOOTING .....	23-21
<b>9.</b>	<b>SPECIFICATIONS .....</b>	<b>23-22</b>

## ILLUSTRATIONS

FIGURE 1: SOUND SYSTEM JUNCTION PLATE .....	23-4
FIGURE 2: AMP-3000 AMPLIFIER.....	23-5
FIGURE 3: PANASONIC CQ-R145CAHH.....	23-6
FIGURE 4: 8-DISC CD CHANGER .....	23-6
FIGURE 5: PANASONIC CP-DP101U .....	23-6
FIGURE 6: CONTROL HEAD .....	23-6
FIGURE 7: V-3000 VCP .....	23-7
FIGURE 8: FRONT VIEW OF V-3000 VCP.....	23-7
FIGURE 9: BOOM-TYPE MICROPHONE .....	23-7
FIGURE 10: HANDHELD PRIORITY MICROPHONE .....	23-8
FIGURE 11: RUBBER COATED MICROPHONE .....	23-8
FIGURE 12: WIRELESS MICROPHONE.....	23-8
FIGURE 13: TUNER CONTROLS DESCRIPTION .....	23-8
FIGURE 14: MOBILE DVD PLAYER DV1500 .....	23-9
FIGURE 15: MONITOR HOUSING REAR PANEL .....	23-9
FIGURE 16: INSTALLATION IN PARCEL COMPARTMENT .....	23-9
FIGURE 17: SCENIC VIEW CAMERA .....	23-9
FIGURE 18: HUBODOMETER.....	23-10
FIGURE 19: ENGINE .....	23-11
FIGURE 20: COLD STARTING AID .....	23-11
FIGURE 21: DESTINATION SIGN – ELECTRICAL.....	23-12
FIGURE 22: DESTINATION SIGN-ELECTRIC MOTOR .....	23-13
FIGURE 23; DESTINATION SIGN – ELECTRONIC.....	23-13
FIGURE 24: LAVATORY .....	23-13
FIGURE 25: VENTILATION FAN INSTALLATION .....	23-14
FIGURE 26: DOOR LOCK .....	23-15
FIGURE 27: F/W TANK SERVICE VALVES.....	23-15
FIGURE 28: FUNCTIONING OF LAVATORY .....	23-16
FIGURE 29: LIQUID SOAP DISPENSER .....	23-16
FIGURE 30: AIR HORN VALVE .....	23-18
FIGURE 31: WINDSHIELD WIPER INSTALLATION.....	23-19
FIGURE 32: MULTIFUNCTION LEVER.....	23-19
FIGURE 33: WINDSHIELD WASHER RESERVOIR .....	23-19
FIGURE 34: WINDSHIELD WIPER (MOTOR SIDE) .....	23-20
FIGURE 35: WINDSHIELD WIPER ( DRIVER SIDE) .....	23-20
FIGURE 36: DRIVING MECHANISM (DRIVER SIDE) .....	23-20
FIGURE 37: DRIVING MECHANISM (MOTOR SIDE) .....	23-20
FIGURE 38: WIPER ARMS POSITIONING .....	23-21

1. AUDIO AND VIDEO EQUIPMENT DESCRIPTION

The power amplifier is mounted on a sound system junction plate which is located in the first baggage compartment, L.H. side (Fig. 1), to access, open the first baggage compartment. In addition to the public address (PA) systems, options for AM/FM stereo radio and cassette player, CD changer, karaoke, wireless microphone, video system with monitors, scenic viewer and digital processor controller may be featured.

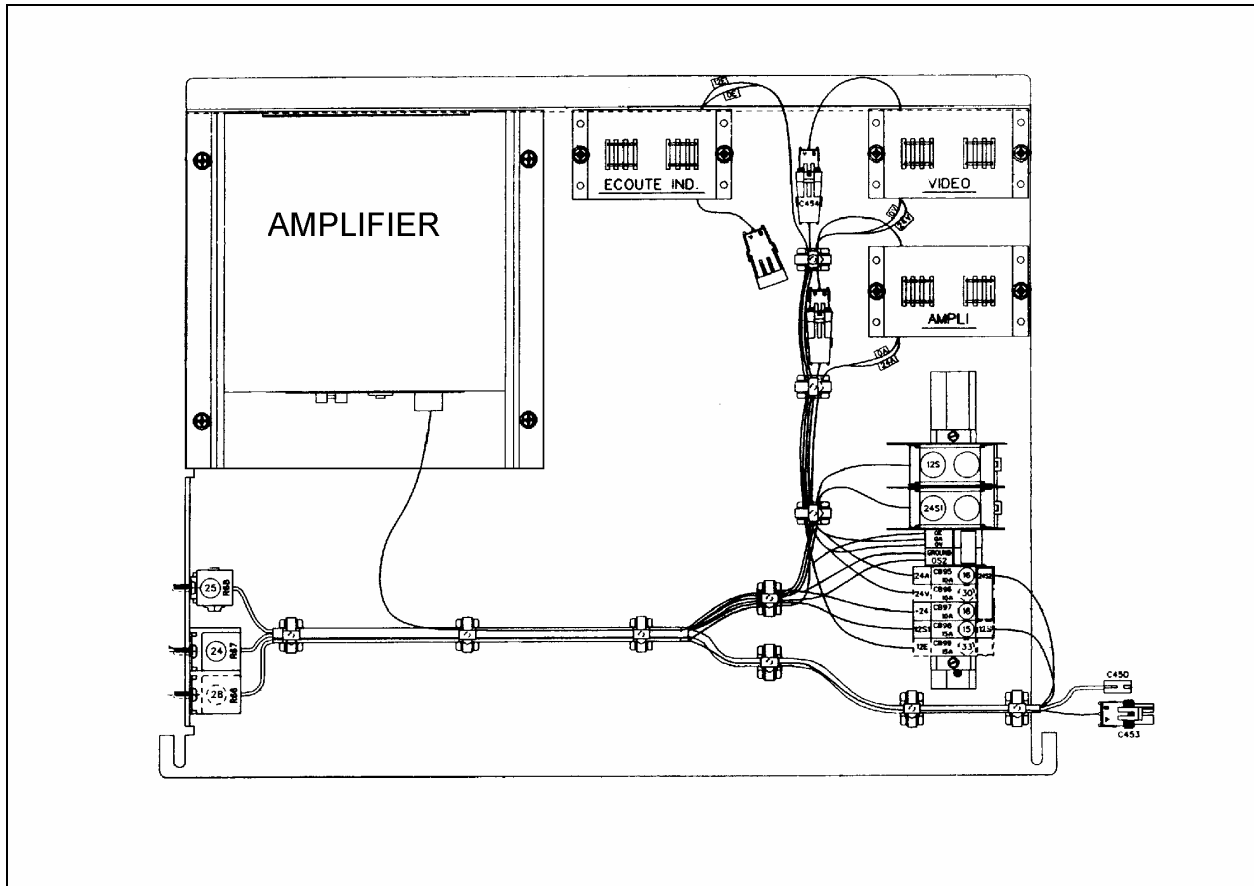


FIGURE 1: SOUND SYSTEM JUNCTION PLATE

23059

Each service module mounted to the underside of the parcel racks contains a 40-watt speaker. The fifteen speakers in the passenger section are wired in stereo and are powered by the amplifier. A microphone outlet mounted in the driver's area is provided as standard equipment.

## 1.1 AMP-3000 (HIGH POWER AMPLIFIER)

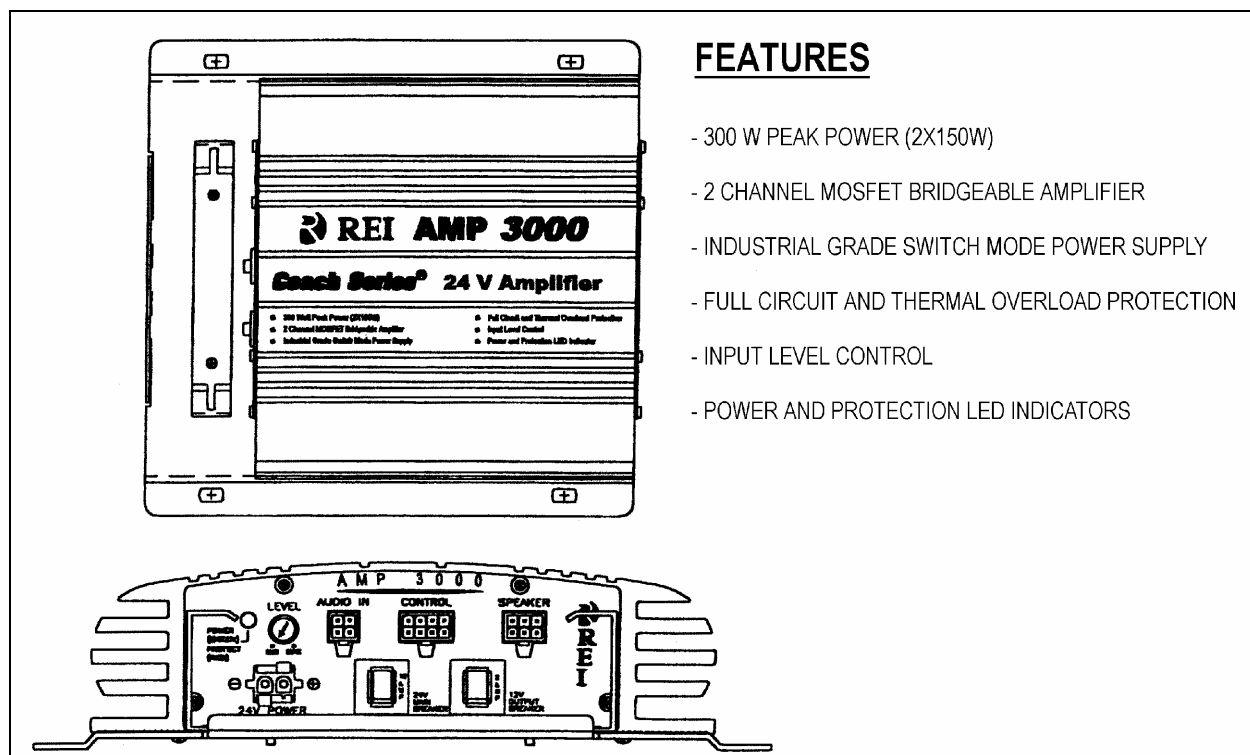


FIGURE 2: AMP-3000 AMPLIFIER

23318

The AMP-3000 brings an added dimension to your stereo equipment and increases the total output of the system. The amplifier will perform with any unit operating in a 24-volt with negative ground electric system. The AMP-3000 is located on the first baggage compartment ceiling. To access, open the first baggage compartment door.

Set the volume control on the radio, then adjust the input control on the amplifier for an average listening level. This gives the best balance between radio output and system signal-to-noise ratio (Fig. 2).

**CAUTION**

The low level input adjustment for this amplifier has been preset according to system specifications.

## 1.1.1 Removal

Remove the amplifier as follows:

1. Set the battery master switch to the "OFF" position. Refer to Section 6: "Electrical System" for switch location.

**FEATURES**

- 300 W PEAK POWER (2X150W)
- 2 CHANNEL MOSFET BRIDGEABLE AMPLIFIER
- INDUSTRIAL GRADE SWITCH MODE POWER SUPPLY
- FULL CIRCUIT AND THERMAL OVERLOAD PROTECTION
- INPUT LEVEL CONTROL
- POWER AND PROTECTION LED INDICATORS

2. Remove the sound system junction plate from its location. To perform this step, disconnect wiring connectors, remove cable ties and remove the bolts retaining the sound system junction plate.
3. Remove the four screws retaining the amplifier to its sound system junction plate.
4. Reverse the removal procedure to install the amplifier.

## 1.2 AM/FM RADIO

## 1.2.1 AM/FM Radio Cassette and Disc CD Changer

The audio system is composed of an AM/FM radio cassette player "Panasonic, model CQ-R145CAHH (Fig. 3). Also, the vehicle may be equipped with a 8 disc CD changer and two additional Hi-Fi speakers in the driver's area. A roof antenna as well as different microphone outlets, can be installed as optional equipment.

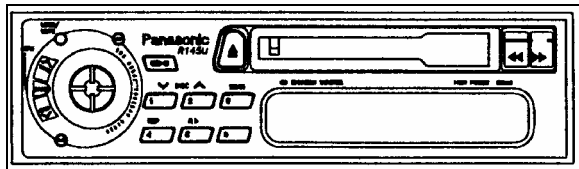


FIGURE 3: PANASONIC CQ-R145CAHH 23329

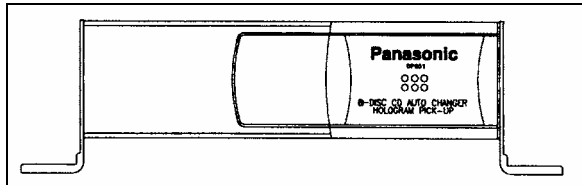


FIGURE 4: 8-DISC CD CHANGER 23332

### 1.2.2 AM/FM Radio / CD 1 Disc

This audio system is composed of an AM/FM radio CD player Panasonic model CP-DP101U (Fig. 5). Also, the vehicle may be equipped with two additional Hi-Fi speakers in the driver's area. A roof antenna as well as different microphone outlets, can be installed as optional equipment.

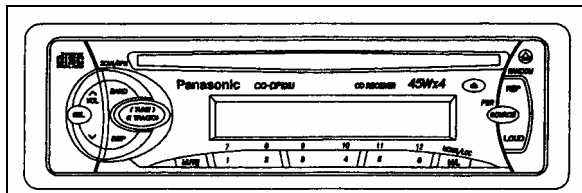


FIGURE 5: PANASONIC CP-DP101U 23317

**Note:** Before attempting to solve an electrical problem on the sound system, refer to the master wiring diagrams.

Instructions for proper use of the radio are included in the "Panasonic Owner's Manual" which is provided in the technical publication box delivered with the vehicle. The radio is a serviceable component and should only be serviced by a qualified electronics technician. Refer to "Panasonic Service Centers" guide included in the technical publication box.

### 1.2.3 Removal

To remove the radio from its location, proceed as follows:

1. Place the battery master switch in the "OFF" position.
2. Remove the dashboard panel cover.
3. Disconnect the electrical cable connectors from radio and unfasten back plate securing screw.

4. To separate the radio from its support, push in the dismounting pins included with the Panasonic Owner's Manual.
5. Push the unit through the front instrumentation panel.
6. Install a new unit by reversing the procedure.

### 1.3 CONTROL HEAD

The system 2000 (Fig. 6) is designed exclusively for coach operations. A complete system will control the following equipment:

- A specially designed 70 watt per channel RMS amplifier, capable of driving up to twenty-six, four ohm speakers.
- Six, custom designed ten-inch color monitors that incorporate a unique anti-theft locking slide mount. This makes installation and removal very easy.
- A specially modified VHS video cassette player that allows the operator convenient control over its functions.
- A digital audio processor that incorporates a centralized system control. The system 2000 microprocessor allows the operator to control up to three audio selections, permitting custom tailoring of each channel's sound quality. There are three microphone inputs for the PUBLIC ADDRESS SYSTEM (PAS), which are switchable between internal and external speakers. The unit contains a separate video section for the VCP that allows the driver to control his own separate audio selections.

Instructions for proper use of the control head are included in the "REI Operator's Manual" which is provided in the technical publication box delivered with the vehicle.

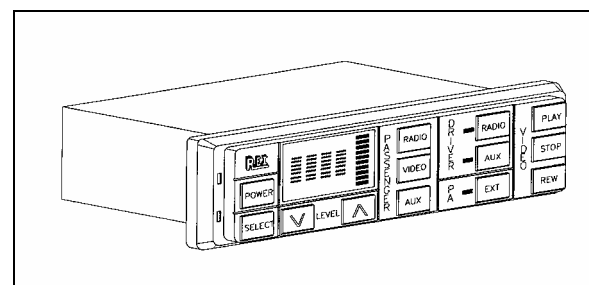


FIGURE 6: CONTROL HEAD 23070

### 1.3.1 Removal

To remove the control head from its location, proceed as follows:

1. Place the battery master switch in the "OFF" position.
2. Remove the dashboard panel cover.
3. Disconnect the electrical cable connectors from radio and unfasten back plate securing nut.
4. To separate the control head from its support, push in the dismounting pins included with the REI Operator's Manual.
5. Push the unit through the front instrumentation panel.
6. Install a new unit by reversing the procedure.

## 1.4 VIDEO CASSETTE PLAYER (VCP)

The VCP is located in the first parcel compartment on the driver's side (Fig 7 & 8). Instructions for proper use of the VCP are included in the "Operator's Manual" which is provided in the technical publication box.

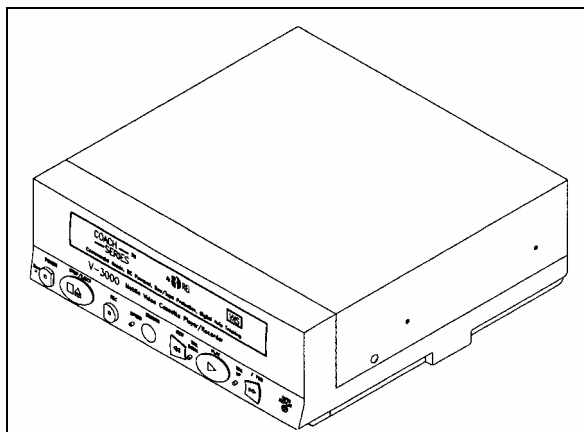


FIGURE 7: V-3000 VCP

23330

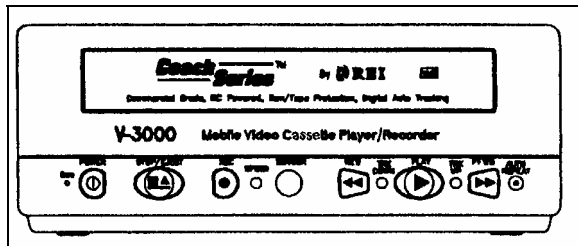


FIGURE 8: FRONT VIEW OF V-3000 VCP

23331

### 1.4.1 Removal

1. Place the battery master switch in the "OFF" position.
2. Remove the VCP/VCR mounting locknuts from rubber mounts.
3. Disconnect wiring.
4. Remove VCP/VCR unit from parcel compartment.

### 1.4.2 Installation

1. Install VCP/VCR unit into parcel compartment aligning rubber mount studs with mounting holes. Insert mount studs through mounting holes.
2. Install locknuts on mount studs.
3. Reconnect wiring.
4. Place the battery master switch in the "ON" position.

## 1.5 BOOM-TYPE MICROPHONE

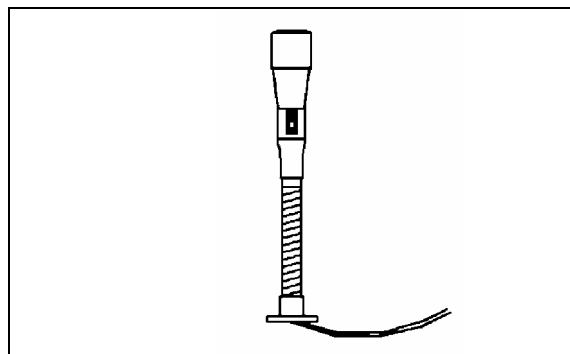


FIGURE 9: BOOM-TYPE MICROPHONE

23083

### 1.5.1 Removal

1. Place the battery master switch in the "OFF" position.
2. Remove the mounting screws at mounting flange.
3. Disconnect wiring.

### 1.5.2 Installation

1. Reconnect wiring.
2. Align mounting flange with holes and install screws.
3. Remove spacer block mounting screws.

## Section 23: ACCESSORIES

4. Insert spacer block and install mounting screws.
5. Place the battery master switch in the "ON" position.

### 1.6 HANDHELD PRIORITY MICROPHONE

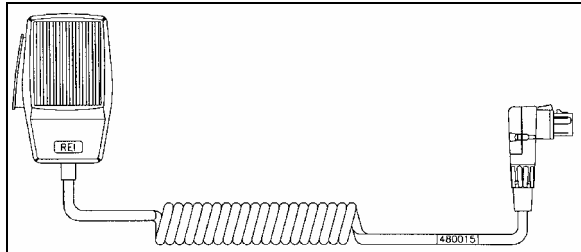


FIGURE 10: HANDHELD PRIORITY MICROPHONE 23216

### 1.7 RUBBER COATED MICROPHONE c/w 10 Feet cord and connector

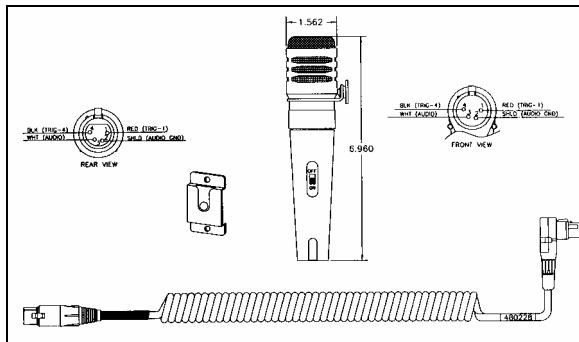


FIGURE 11: RUBBER COATED MICROPHONE 23217

### 1.8 WIRELESS MICROPHONE

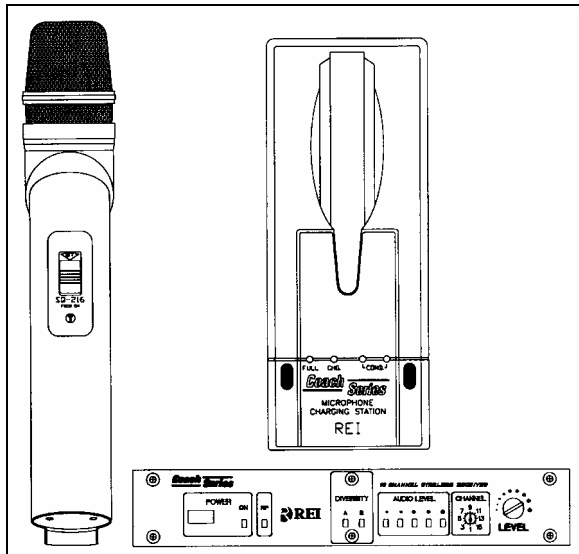


FIGURE 12: WIRELESS MICROPHONE 23226

The system 2000 16 channel wireless microphone, Receiver and Charging Cradle are custom designed units that allow for wireless PA communication from anywhere on the coach. The unit consists of a receiver mounted in the parcel area directly behind the driver, and a rechargeable hand-held microphone and charging unit. Instructions for proper use of the microphone are included in the "REI Operating Manual" which is provided in the technical publications box delivered with the vehicle.

### 1.9 TV TUNER

For TV tuner control descriptions, refer to fig. 13.

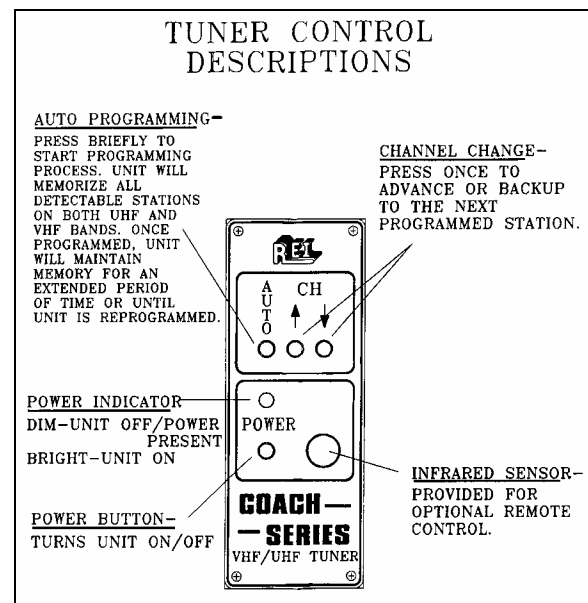


FIGURE 13: TUNER CONTROLS DESCRIPTION 23061

### 1.10 KARAOKE

The modified Panasonic DVD Player powers up automatically when the video system is activated. The unit can be controlled with the plug-in remote control, or the control head, which has access to the PLAY and STOP commands.

If so equipped, instructions for proper use of the Karaoke system are included in the "Operating Manual" that is provided in the technical publications box delivered with the vehicle.



1.10.1 Karaoke Panasonic Sound System – MOBILE DVD PLAYER DV1500

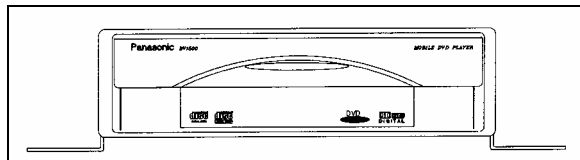


FIGURE 14: MOBILE DVD PLAYER DV1500 23214

1.11 DRIVER'S SPEAKERS

The driver's speakers are mounted one on each side. This arrangement provides the driver with clear stereo sound. Controls for the driver's audio allow selection between the radio and the auxiliary audio (independent of the passenger's speakers) or muting the speakers.

1.12 MONITOR

For monitor adjustment, refer to figure 15.

1.12.1 Removal

The front and side, ten-inch color monitors are slide mounted and retained by key locks. A LED indicator is provided on the back to indicate when the unit is "ON". The red button is the monitor ON/OFF switch and the pin style button is the circuit breaker reset button.

1. Place the battery master switch in the "OFF" position.
2. Unlock the monitor slide and pull towards the front of the monitor.
3. After removal, cover mount location using the monitor cover assembly and lock.

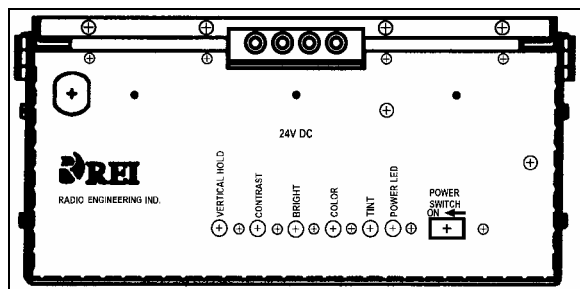


FIGURE 15: MONITOR HOUSING REAR PANEL 23333

1.12.2 Installation

1. Remove monitor cover assembly located over mounting bracket if needed.

2. Align the monitor mount with the slide and slide monitor into place.
3. Lock the monitor or cover to prevent removal.

**NOTE**

*Make sure connections are not bent or damaged. If monitor is not being replaced, immediately install the mounting cover.*

1.13 SCENIC VIEWING SYSTEM

The scenic viewing system enables the passengers to view the road ahead of the vehicle. This system is composed of a camera, a dashboard mounted ON/OFF switch and the audio – video switching box located in the first parcel compartment on the driver's side (Figs. 16 & 17).

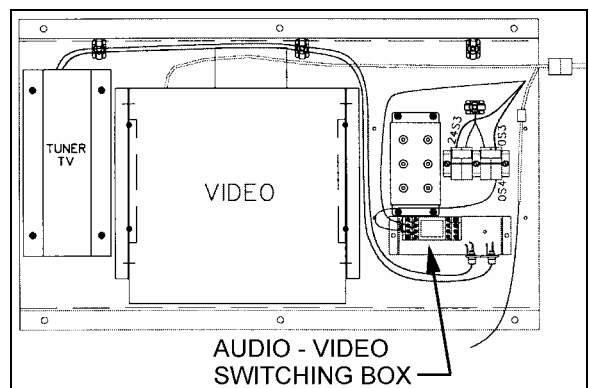


FIGURE 16: INSTALLATION IN PARCEL COMPARTMENT 23333

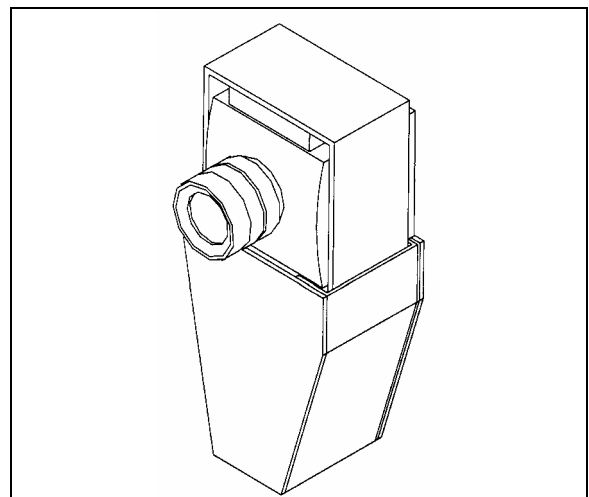


FIGURE 17: SCENIC VIEW CAMERA 23221

### 1.14 ROOF ANTENNA INSTALLATION

1. Find the desire location and drill a hole according to specification.
2. To remove dirt and grease, wash hole edge with alcohol.
3. If so equipped, remove foam padding ring from antenna to free the metal surface (foam can produce air bulbs in new rubber seal).
4. With SIKA 205, wash the edge of the hole and the antenna base surface, wait at least two (2) minutes for chemical evaporation.
5. Apply new seal SIKA 221 on both, edge of the hole and antenna base.
6. Fix the antenna in place.
7. Remove excess seal and complete a finishing joint all around the antenna base.

## 2. HUBODOMETER

### 2.1 DESCRIPTION

An optional wheel hubodometer (Fig. 18) may have been installed on the R.H. side of the drive axle. It indicates the total distance in miles or kilometers covered by the coach since it has left the factory, including road testing.

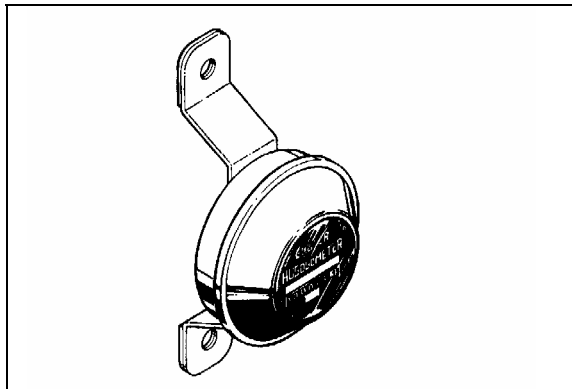


FIGURE 18: HUBODOMETER

23024

### 2.2 OPERATION

The hubodometer is calibrated for a specific wheel size (diameter). Wheel rotation causes a mechanism inside the hubodometer to record distance after a predetermined number of rotations. The unit should be serviced at a competent speedometer repair facility.

### NOTE

*Do not use paint, solvent or thinner on hubodometer face or on plastic hubcaps. Do not weld on hubodometer.*

### 2.3 REMOVAL

To remove the unit, remove the two lock nuts and washers securing it to the wheel hub, and pull the unit off the studs.

### 2.4 INSTALLATION

Place the hubodometer unit over the wheel hub studs. Replace the lock washers and nuts. Torque stud nuts to 110-165 Lbf-ft.(150-225 Nm).

## 3. BACK-UP CAMERA AND MONITOR

An optional back-up camera is available which provides the driver with visual assistance when backing-up. The camera is automatically activated when the transmission is put in reverse gear and the ignition switch is "ON". The TV monitor is mounted on top of the dashboard. Refer to the Operator's Manual under "Controls & Instruments".

## 4. COLD STARTING AID (ETHER)

The vehicle can be equipped with an electrically-operated type ether cold starting aid designed to ease engine starting when temperature is low.

On vehicles equipped with cold starting aid, the system consists of the main following parts:

- ◆ Ether starting aid switch
- ◆ Ether cylinder
- ◆ Solenoid valve (24 V)
- ◆ Thermal cutout valve
- ◆ Atomizer

The control rocker switch is located on the dashboard. This switch is provided with a locking mechanism to avoid accidental use when engine is running. To activate the ether starting aid, proceed as follows:

1. Prior to cranking engine, press down rocker switch for three seconds to fill solenoid valve.
2. Release switch to discharge shot.
3. Allow three seconds for shot to discharge.

- Start engine, use additional shots if necessary to keep engine running.

**⚠ CAUTION ⚠**

**This practice should be performed only when absolutely necessary. Excessive use of fluid could result in serious engine damage.**

The ether cylinder and solenoid valve assembly are mounted on the engine compartment wall and are accessible from the engine compartment R.H. side door.

The thermal cutout valve is mounted on the engine (radiator side). Its function is to prevent discharge of ether when engine is warm (over 90 F (32 C)). The atomizer is installed on top of the air intake duct (Fig. 19).

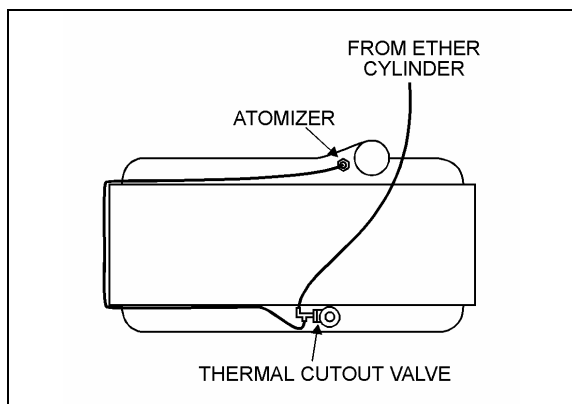


FIGURE 19: ENGINE

23032

#### 4.1 PREVENTIVE MAINTENANCE

During the summer months, remove cylinder to avoid high temperature actuation of the cylinder safety relief device. Always screw valve cap into solenoid valve opening to prevent entrance of road dirt. When removing cylinder, be careful to prevent dirt from entering the valve.

#### 4.2 TROUBLESHOOTING (IF SYSTEM IS NON-FUNCTIONING)

**⚠ WARNING ⚠**

**During the following test, direct free end of tube away from personnel and all sources of ignition as this fuel is extremely flammable. Avoid breathing vapors and contacting fuel with skin. Never smoke during test.**

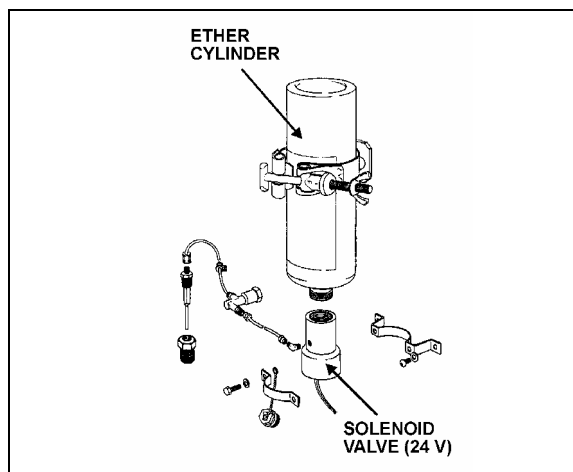


FIGURE 20: COLD STARTING AID

23048

- Check cylinder for hand tightness and fuel supply (Fig. 20). Empty cylinder weight is approximately 17 oz (480 g); full cylinder weight is approximately 35 oz (990 g). If cylinder is empty, replace it. Before replacing cylinder, install new valve gasket in solenoid valve.
- If still not functioning, disconnect tubing at solenoid valve fitting. Actuate solenoid valve. (Ask an assistant to actuate solenoid valve using the rocker switch on the dashboard).
  - If solenoid valve is non-functioning, check electric circuit, (refer to wiring diagrams). If sound, remove and replace the solenoid valve. If not, repair electric circuit.
  - If valve is functioning, reassemble valve fitting and connect tube. Disconnect tube at thermal cutout valve from port "Tube from valve".
- Actuate the solenoid valve.
  - If fuel is not discharged from tube, remove tube and blow out or replace.
  - If fuel is discharged, connect tube to thermal cutout valve, and disconnect other tube.
- Actuate the solenoid valve.
  - If fuel is not discharged, replace the cut-out valve.

**NOTE**

*If engine coolant temperature is 90°F (32°C) or over, it is normal that fuel is not discharged as the valve is in closed position.*

- If fuel is discharged, connect tube to thermal cutout valve, and disconnect tube from atomizer.

5. Actuate the solenoid valve.

- If fuel is not discharged from tube, fuel line is clogged. Remove tube and blow out or replace.
- If fuel is discharged, replace the atomizer.

5.3 THERMAL CUTOUT VALVE QUICK TEST

1. Engine coolant temperature must be below 90 F (32 C).
2. Temporarily disconnect tube at thermal cutout valve from port "Tube to atomizer".
3. Actuate solenoid valve (Ask an assistant to actuate solenoid valve by means of the rocker switch on the dashboard). Fuel should be discharged through the thermal cutout valve.

<b>WARNING</b>
<p><b>Avoid breathing vapors and contacting fuel with skin. Never smoke during test.</b></p>

4. Reconnect tube to thermal cutout valve.
5. Start engine, using cold starting aid if necessary. Stop engine when it reaches operating temperature.
6. Disconnect tube at thermal cutout valve as in step 2, and repeat step 3. No fuel should be discharged.

**5. DESTINATION SIGN**

DESCRIPTION

The destination sign is located at upper front of the vehicle. Two models are available.

5.1 ELECTRICAL DESTINATION SIGN (OPTIONAL)

The lighting is provided with a fluorescent tube, which is activated by means of a rocker switch located on the dashboard. The destination sign is electrically operated; two rocker switches mounted side by side on the destination sign control its motor. The unwinding speed control switch determines the rolling speed without actuating it. The selecting switch (momentary

type) controls and actuates the rolling direction (fig. 21).

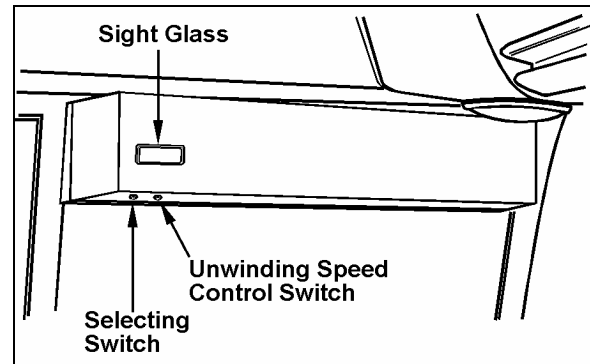


FIGURE 21: DESTINATION SIGN – ELECTRICAL 23122

5.1.1 Maintenance

Inspect the following items regularly:

1. Check for free and easy mechanism movement.
2. Check for loose items on the sign mechanism, such as wire, loose clips, hanging tape, etc.
3. Check tension and condition of the two drive belts and replace as required.
4. Periodic lubrication is **NOT** recommended.

5.1.2 Destination Sign Light Replacement

Refer to Section 06, Electrical System, paragraph "13.4.7 Destination Sign Light - Bulb Removal and Replacement" and "13.4.8 Destination Sign - Fluorescent Removal and Replacement".

5.1.3 Electric Motor Removal and Installation

To remove the electric motor:

1. Remove the six Phillips-head screws and washers retaining the destination sign cover, and then carefully remove the cover from its location.
2. Disconnect wires from electrical motor.
3. Remove both screws retaining motor to destination sign frame (Fig. 22).
4. Slide motor upwards, and then remove the drive belt.
5. Remove motor through the opening intended for this purpose.

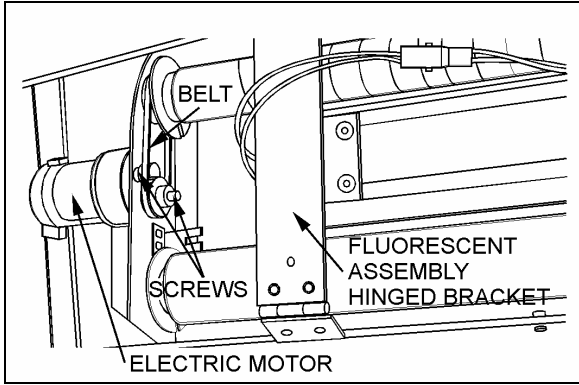


FIGURE 22: DESTINATION SIGN-ELECTRIC MOTOR 23034

6. Install the motor by reversing the above procedure.

5.1.4 Sign Curtain Repair

In the event a destination sign curtain is torn, it can be repaired with 3M polyester tape or any equivalent cellophane tape. When repairing a tear, the tape should be used on both sides of the curtain.

5.2 ELECTRONIC DESTINATION SIGN (OPTIONAL)

To change the destination, depress the selecting switches until the desired destination appears in the LCD display.

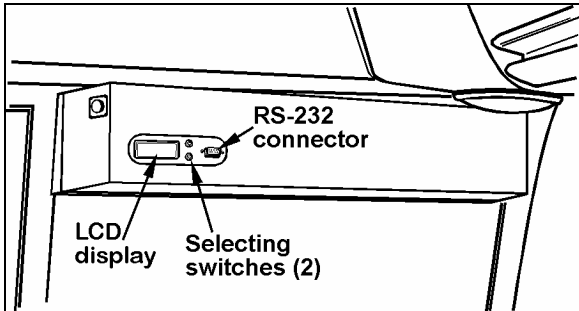


FIGURE 23; DESTINATION SIGN – ELECTRONIC 23123

**NOTE**

The destination sign must be programmed with a computer connected to the RS-232 connector prior to first use. Follow the instructions on the computer disk to install and run the software.

**NOTE**

All destination sign models are equipped with lights (bulb light or fluorescent) which illuminates automatically when the headlight or fog light switch is activated.

6. LAVATORY

6.1 DESCRIPTION

The lavatory is located in the rear R.H. corner of the coach. It is equipped with a chemical flush toilet, bathroom tissue dispenser, washbasin, towel dispenser, waste container, mirror, ashtray, and a cleaning cabinet. A liquid soap dispenser and moist towel dispenser are optional.

Locking the lavatory door from the inside will illuminate a fluorescent light in the lavatory and two outside signs to indicate occupation. One sign is located on the outer wall of the lavatory and another sign is located over the windshield. An indicator light on the dashboard will illuminate to inform the driver when the lavatory is occupied. A night-light is permanently lit in the lavatory when the ignition switch is in the ON position.

If emergency assistance is required, the lavatory occupant can actuate a buzzer that will sound in driver's area. The buzzer's push-button (c/w instruction label) is located on the inner curbside wall of lavatory.

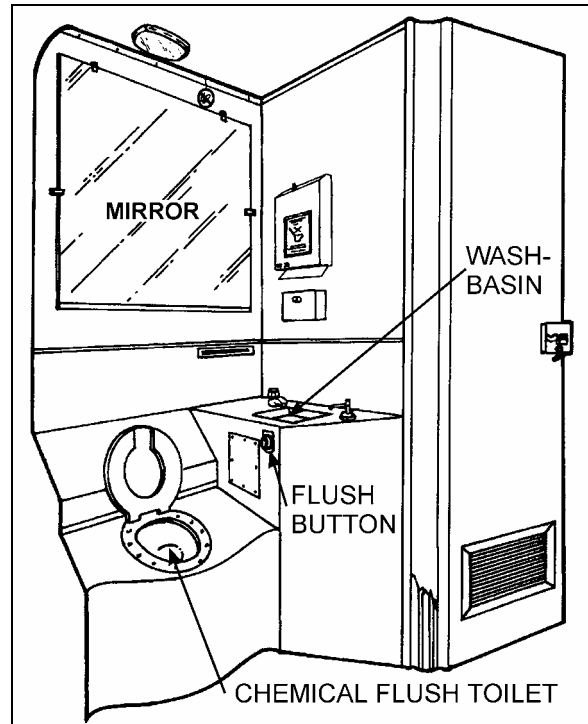


FIGURE 24: LAVATORY

23335

The lavatory has it's own ventilation system that operates only when ignition switch is in the "ON" position. An auxiliary sump tank (Fig. 28) (optional) allows main tank to be drained by

manually opening an interconnecting tank valve (5, Fig. 27). Lavatory can then be operated for longer periods until coach can be serviced at a facility equipped for disposal.

The fresh water tank, located behind compartment mirror (Fig. 28), is equipped with a thermal drain valve that will drain the tank when water temperature approaches the freezing point preventing damage to the tank (Fig. 28). The fresh water supplies water to the washbasin by gravity. Two tubes are connected on top of the tank. One serves as overflow as well as a vent tube and runs along the curbside wall to the engine R.H. side compartment (6, Fig. 27) while the other tube is connected to the fresh water fill connection which is also located in engine R.H. side compartment (1, Fig. 27). A third tube connected in the bottom of the fresh water tank allows fresh water to flow to the washbasin faucet. Water from washbasin drain tube flows to the main sump tank.

Also, a drain hole located on lavatory floor drain water splashed on the floor to the engine R.H. side compartment.

## 6.2 MAINTENANCE

The servicing procedure for the lavatory is described in the "Operator's Manual" included in the technical publications box delivered with the vehicle.

## 6.3 VENTILATION FAN

### 6.3.1 Description

The lavatory ventilation fan, mounted in engine compartment behind the oil reserve tank (Fig. 25), serves two purposes. It exhausts objectionable odors and provides a constant air circulation in the lavatory compartment by heating or cooling the lavatory with the vehicle ambient air. Air flows in the lavatory compartment through a vent grill located on the lavatory door and exhausts through a grill located next to the toilet.

#### NOTE

*This fan runs constantly when the ignition switch located on the dashboard is in the "ON" position.*

### 6.3.2 Maintenance

The frequency of preventive maintenance should be determined according to vehicle mileage and operating conditions. However, it is

recommended to check this item every 50,000 miles (80 000 km) or once a year, whichever comes first.

Remove fan and motor assembly. Check for fan housing wheel and motor free operation. When defective motor occurs, new motor must be installed.

### 6.3.3 Removal and Installation

1. With the engine compartment rear doors opened, remove hose clamp securing duct to ventilation fan inlet, and disconnect duct.
2. Disconnect the ventilation motor wiring connector.
3. Remove the support bracket screw. Remove the three bolts fixing the ventilation fan housing support. Remove the ventilation fan assembly from its location.
4. The unit can now be disassembled and motor replaced.
5. Reverse previous steps to reinstall ventilation fan assembly on vehicle.

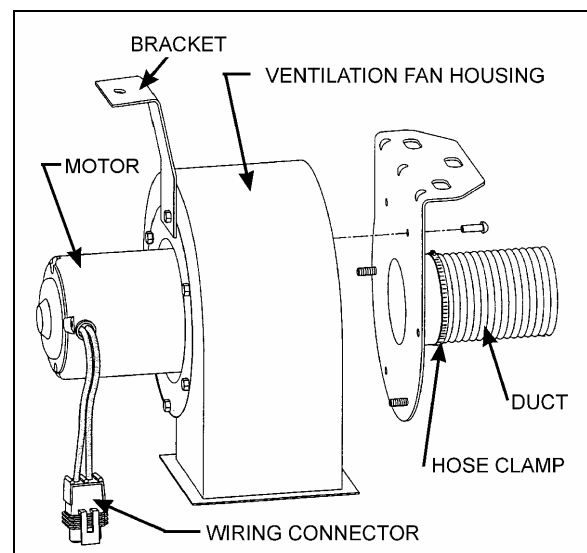


FIGURE 25: VENTILATION FAN INSTALLATION 23222

## 6.4 DOOR LOCK

Lavatory door lock has inside and outside handles, as well as an inside latch to lock door from inside the compartment. If the lock fails to release, the door can be opened from the outside using a special key which is supplied to the driver. Lock assembly can be removed from the door, then readily disassembled and parts replaced, if necessary (Fig. 26). A thin coat of lubricant on all moving parts will ensure trouble-free operation.

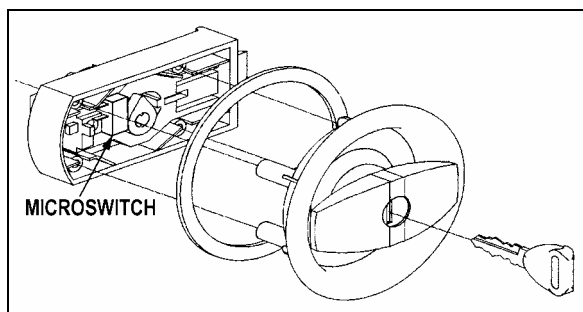


FIGURE 26: DOOR LOCK

23320

### 6.5 LAVATORY LIGHT

The lavatory light is installed on ceiling. A microswitch, which is mounted inside the latch housing, is activated by the door lock mechanism upon locking to energize the circuit. This switch is readily serviced by removing the four Phillips-head screws securing the housing to the door interior frame.

Proceed as Section 06, Electrical System, *Dome, Rear Roof and Lavatory Lights* for lights replacement.

### 6.6 LAVATORY NIGHT-LIGHT

The lavatory night-light is illuminated as soon as the ignition switch is set to the "ON" position. See Section 06, Electrical System, *Parcel Rack / Lavatory Night Light - "Bulb Removal and Replacement"* for lights replacement.

### 6.7 EMERGENCY BUZZER

The lavatory emergency buzzer is mounted on the inner curb side wall of lavatory and sounds when the emergency call push-button switch in the lavatory compartment is activated. For specific wiring information, refer to wiring diagrams. To remove the emergency call push-button switch, proceed as follows:

1. Remove both phillips-head screws retaining pushbutton switch plate to wall.
2. Remove steel plate located on L.H. side of pushbutton switch.
3. Remove switch through this opening, taking care to disconnect electric wires.

### 6.8 FRESH WATER TANK

One panel allows access to the fresh water tank. It is located behind the toilet mirror. Remove the tank as follows:

1. Remove the mirror.
2. Remove the fresh water tank tubings, bolts, and different connectors.

3. Remove the tank from the wall.
4. Reverse previous steps to reinstall fresh water tank assembly on vehicle.

#### 6.8.1 Fresh Water Tank Draining

The fresh water tank can be drained by simply opening the fresh water drain cock (Fig. 27). Don't forget to close cock when draining is done.

#### NOTE

*The fresh water reservoir is equipped with a thermal valve which is set to open at about 35°F, thereby automatically draining the reservoir in near-freezing temperatures.*

Routine draining and filling of lavatory tanks should be performed by maintenance personnel only. If engine or heating failure occurs in extreme weather conditions, emergency draining of water tanks should be performed under the most suitable conditions and should at all times be supervised by driver.

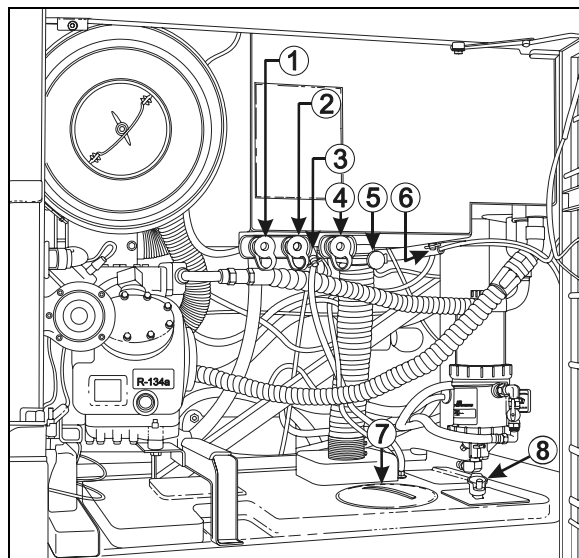


FIGURE 27: F/W TANK SERVICE VALVES

23317

- 1..... Fresh water tank fill connection
- 2..... Main sump tank fill connection
- 3..... Main sump tank overflow cock
- 4..... Cleaning kit hose connector
- 5..... Main sump tank drain valve
- 6..... Fresh water tank drain cock
- 7..... Auxiliary sump tank access cap
- 8..... Auxiliary sump tank drain valve

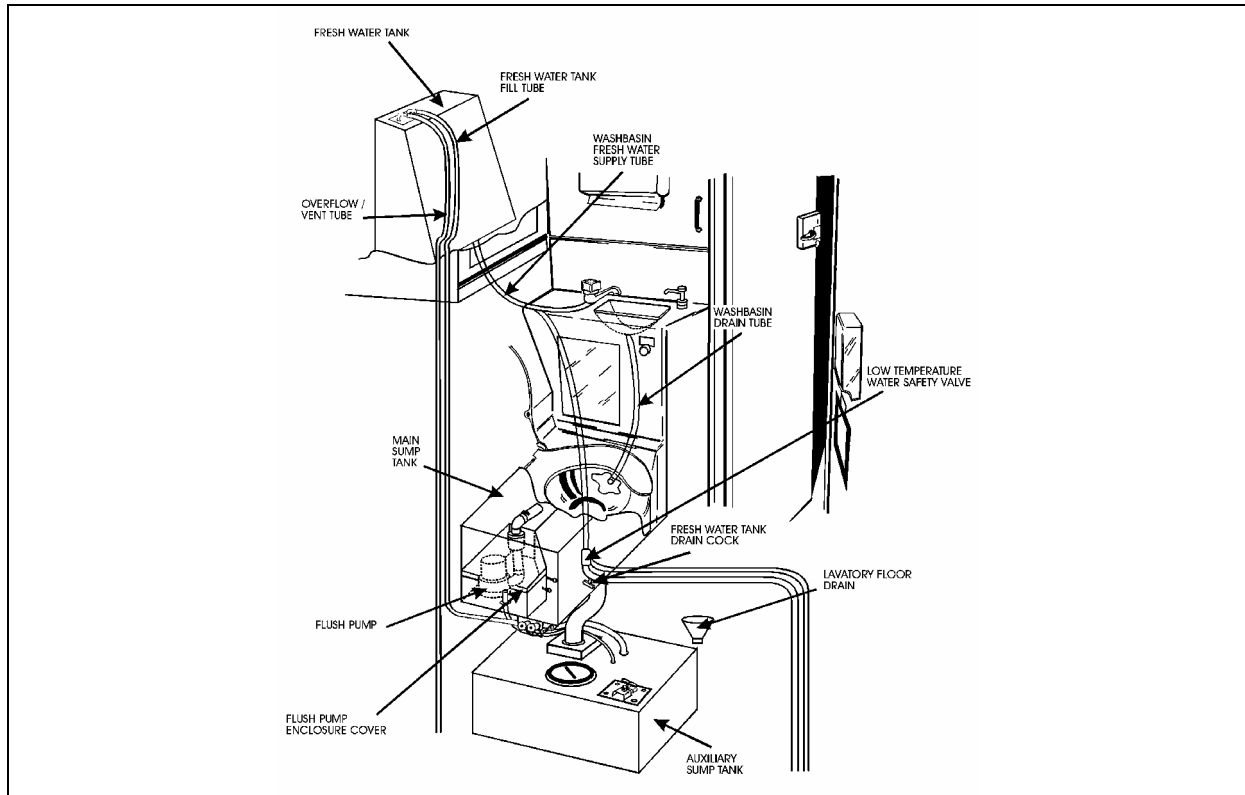


FIGURE 28: FUNCTIONING OF LAVATORY

23051

### 6.8.2 Fresh Water tank Filling

Connect the fresh water supply hose to the fresh water reservoir fill connection (Fig. 27) located in the curb-side engine compartment. Fill the reservoir until the overflow tube leaks, signaling that the reservoir is full.

**WARNING**

**Never put antifreeze in fresh water tank; antifreeze is toxic.**

**WARNING**

**If tank has not been drained for an extended period of time, draining and filling operations must be repeated three (3) times in order to clean tank and eliminate contaminated water.**

### 6.9 LIQUID SOAP DISPENSER

A liquid soap dispenser may have been installed as optional equipment. To refill dispenser, proceed as follows:

1. Turn cover slightly clockwise until it stops.

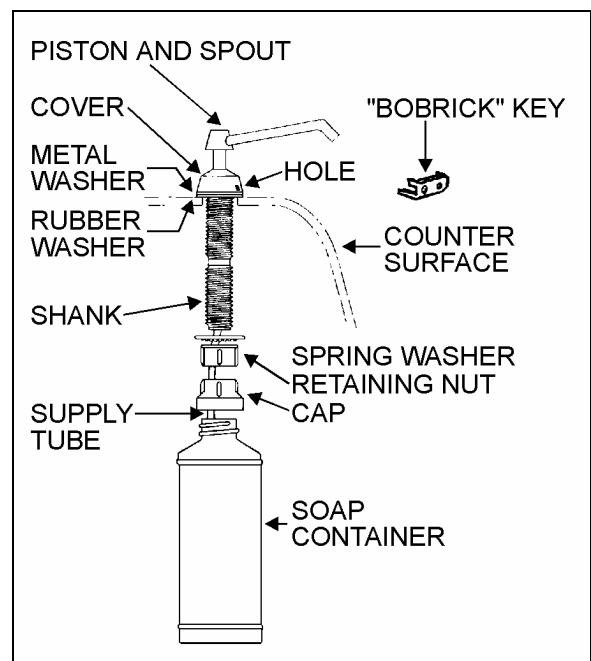


FIGURE 29: LIQUID SOAP DISPENSER

23039

2. Lift out piston and spout, cover and supply tube.



- Fill dispenser with soap. This model can dispense vegetable oil soaps, synthetic detergents, and lotion soaps.



**Never use abrasive cleaners.**

- Replace supply tube, piston, and spout mechanism reversing the steps above.
- Secure the cover by turning clockwise until lock snaps into position.

#### **NOTE**

*The dispenser requires priming when extremely viscous lotion soaps are used. Remove piston and spout, cover and supply tube assembly. Pump water into assembly, then replace into dispenser.*

### 6.10 FLUSH PUSH-BUTTON

The green flush push-button is located near the toilet. Press on push-button to actuate a pneumatic timer located on the other side of wall. This timer allows an electric current flow during a preset time to a pump into the sump tank.

#### 6.10.1 Pneumatic Timer Removal and Installation

- Unscrew and remove the flush push-button locking ring.
- Remove steel plate located on L.H. side of pushbutton switch.
- Remove pneumatic timer through this opening, taking care to disconnect electric wires.

#### **NOTE**

*Care must be taken to avoid losing the spacers installed on the mounting sleeve.*

- Reverse the above procedure to reinstall timer. The recommended torque for the lock nut is 15 Lbf-ft. (21 Nm).

#### 6.10.2 Timer Adjustment

Timer can be adjusted from 0.2 second to 3 minutes by turning the time adjustment screw clockwise to increase time, and counterclockwise to decrease time. To gain access to the time adjustment screw, repeat steps 1, 2 and 3 in the previous paragraph "6.10.1 Pneumatic Timer Removal and Installation".

### 6.11 FLUSH PUMP

The submersible-type flush pump is mounted inside an enclosure in the sump tank (Fig. 28). The enclosure is provided with a screened side which, serves as a strainer to prevent solid matters from entering the pump.

The pump requires no periodic maintenance other than cleaning of the strainer side using a water jet introduced through the circular cap opening, once the sump tank is completely drained. The pump can run dry periodically without damage. However, for maximum seal life, the run dry periods should be kept to a minimum.



**If vehicle is stored for an extended period of time, make sure to clean the strainer as solid matter will tend to pack, and will necessitate replacement of strainer.**

#### 6.11.1 Flush Pump Removal

- Remove the toilet to gain access to the pump enclosure.
- Remove the flush pump enclosure cover
- Unsnap the flush pump.

### 6.12 SUMP TANKS

#### 6.12.1 Main Sump Tank Draining

When recirculating water in the toilet is soiled, drain main sump tank. If equipped with the optional auxiliary sump tank, drain the main sump tank contents into the auxiliary tank and perform the filling procedure of the main tank.

#### 6.12.2 Main Sump Tank Filling

Open the main sump tank overflow cock and connect a water supply hose to the toilet sump tank fill connection. The main tank is full when water starts flowing through the clear overflow tube. Close main sump tank overflow cock when the tank is full.



**In cold weather, add 2 gallons (9 liters) of antifreeze (e.g.: ethylene glycol) in the toilet before filling main tank.**

### 6.12.3 Auxiliary sump Tank Draining

Remove drain cap located under auxiliary sump tank then turn the auxiliary sump tank drain valve lever counterclockwise eight or nine times. Remove the access cap and flush tank with clean water. To close, turn the valve lever several times clockwise until the rubber bladder seals the drain hole. Reinstall access and drain caps.

**⚠ CAUTION ⚠**

**Lavatory tanks should be serviced only at suitably equipped stations.**

*NOTE*

*It is unlawful to dump sump tank contents in any location other than those designated as such.*

When a full draining is required, clean main tank by repeating the draining and filling operations while leaving the auxiliary sump tank drain cock opened. Close cocks and pour a pack of commercial toilet deodorant (Prévost part #900329) in toilet before adding the antifreeze and starting final filling of main tank.

**⚠ WARNING ⚠**

**The toilet deodorant contains products that can be very irritating to skin. Use rubber gloves when handling and then clean toilet seat.**

**⚠ WARNING ⚠**

**Antifreeze must comply with the effective environmental act.**

**⚠ CAUTION ⚠**

**When cold weather is expected and there is no antifreeze in the tank, both sump tanks must be drained.**

*NOTE*

*If there is no antifreeze solution in the tank, there is less risk of freezing if engine is operating due to the heat it produces.*

*NOTE*

*New coaches are delivered with the sump and fresh water tanks empty. Fill with water before putting the coach in service.*

## 7. AIR HORN VALVE

The air horn valve is located in the front service compartment and the air horn valve button is on the steering wheel center.

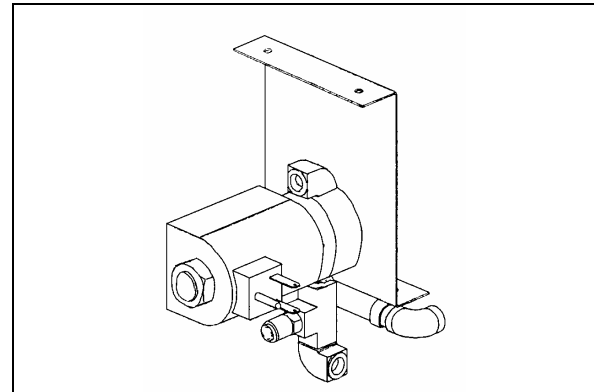


FIGURE 30: AIR HORN VALVE

23230

### 7.1 AIR HORN VALVE MAINTENANCE

When needed, the air horn valve can be serviced or replaced using the following procedure:

1. Unplug the cable connector;
2. Disconnect the air tubes;
3. Loosen the retaining bolts;
4. Service or replace the air horn valve;
5. Reinstall by reversing procedure.

## 8. WINDSHIELD WIPERS AND WASHERS

### 8.1 GENERAL DESCRIPTION

**NOTE**

*When installing a wiper motor, arm or blade, follow recommended procedures to prevent misalignment, binding or malfunction. Check the windshield washer liquid hoses, fittings and connectors to be sure they are properly connected and seal with no restriction to the flow of washer liquid. Check that wiper arms have the proper sweep position and the washer nozzles are aimed so that spray is within the proper wiper pattern.*

The windshield wipers are controlled by one electric wiper motor that is accessible for maintenance after removing the appropriate access panel beside the footwell (refer to figure 31).

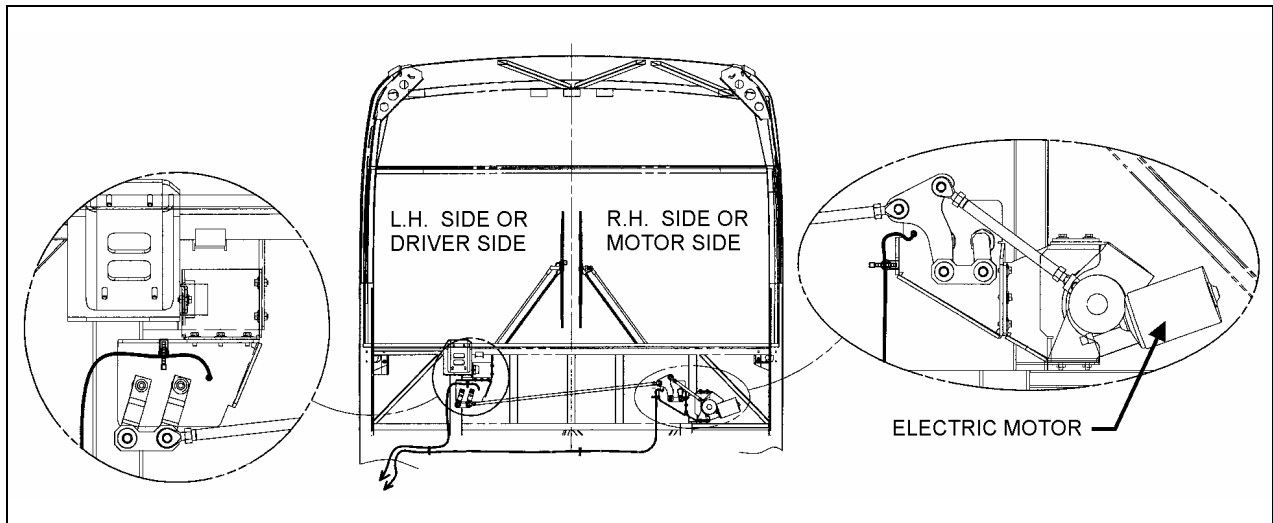


FIGURE 31: WINDSHIELD WIPER INSTALLATION

23287

Turn the multifunction lever forward to activate windshield wipers (item 2, fig. 32). The first position operates the wipers at low speed and the second position operates the wipers at high speed. Turning the lever backwards will operate the wipers in the intermittent mode.

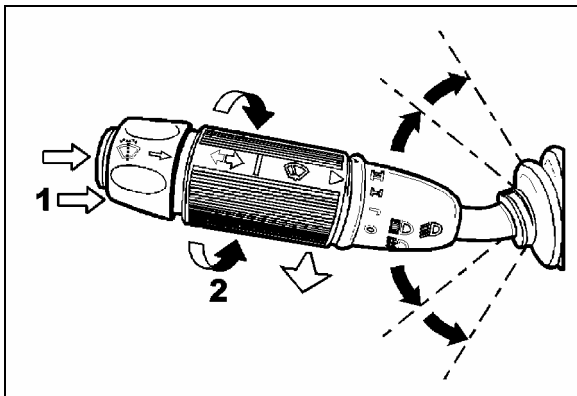


FIGURE 32: MULTIFUNCTION LEVER

23133

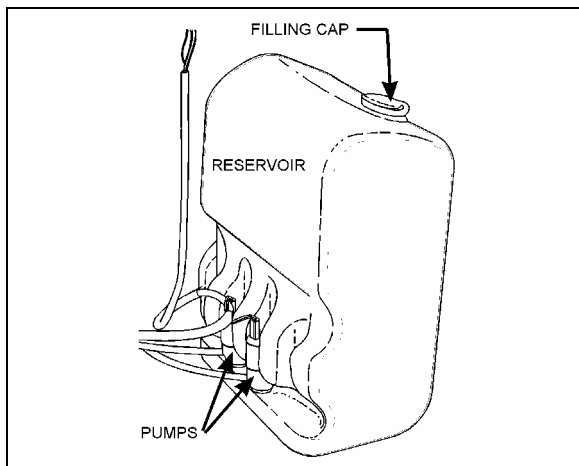


FIGURE 33: WINDSHIELD WASHER RESERVOIR

23220

The windshield washer pumps are electrically operated and are controlled by a washer control ring on the multifunction lever (item 1, fig. 32).

The windshield washer reservoir is located in the front service compartment (Fig. 33). This unit pumps the washer liquid to the spray nozzles where it is dispersed across the windshield.

## 8.2 WIPER ARM

Check operation of the wipers for proper blade sweep and angle.

### ⚠ CAUTION ⚠

Do not attempt to manually move the wiper arms to make wiper blade sweep adjustments as damage to the wiper linkage or motor may occur. If it is necessary to adjust the sweep of blades, remove the arms and make adjustment by positioning the arms using serration on the wiper arm pivot shafts.

### 8.2.1 Wiper Arms Positioning

1. Reinstall the wiper arms and position as shown in figure 38. Before positioning the wipers at their final position, tighten the nuts to 9 Ft-lbs (12 Nm) at first.
2. To find the final position of the wiper arms, lift then release the wiper arm so it falls back on the windshield

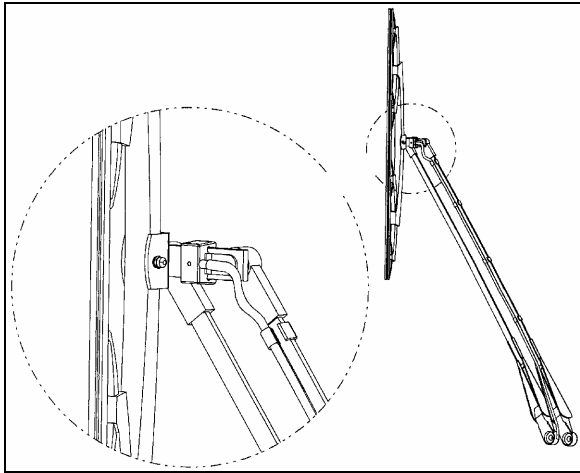


FIGURE 34: WINDSHIELD WIPER (MOTOR SIDE) 23335

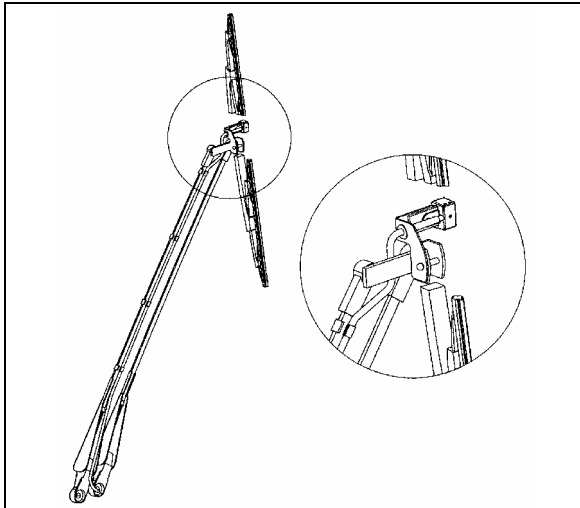


FIGURE 35: WINDSHIELD WIPER (DRIVER SIDE) 23334

3. When the final position is found, tighten the wiper arm nuts to 22 Ft-lbs (30 Nm). Wait 30 minutes and tighten again to 22 Ft-lbs.

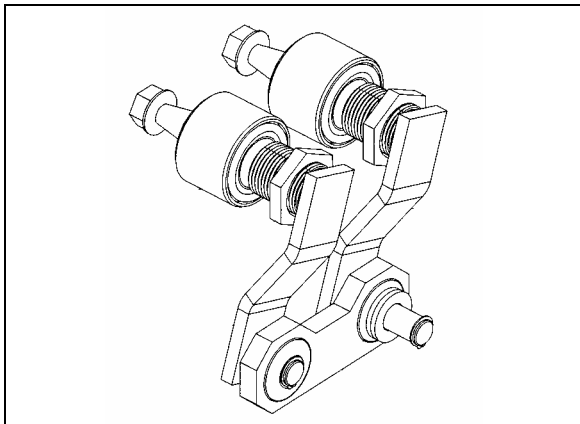


FIGURE 36: DRIVING MECHANISM (DRIVER SIDE) 23334

4. Lower the protective cover.

5. Connect the windshield washer tubing at the base of the wiper arm.
6. Check the adjustment on a wet windshield.

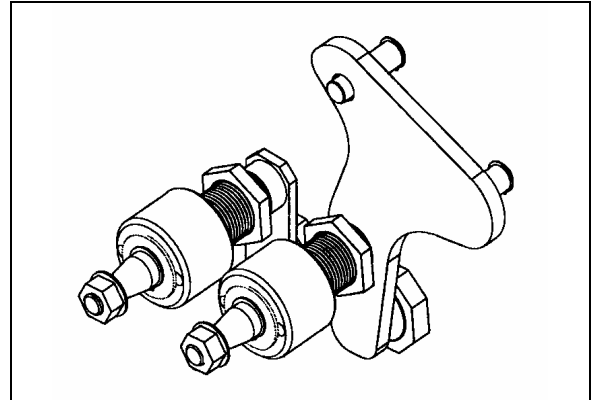


FIGURE 37: DRIVING MECHANISM (MOTOR SIDE) 23254

### 8.3 WINDSHIELD WIPER MOTOR

#### 8.3.1 Windshield Wiper Motor Replacement

The windshield wiper motor is located at lower front of the vehicle, behind the defroster panel. Refer to figure 31 for motor location.

#### ⚠ WARNING ⚠

**Park vehicle safely, apply parking brake, stop engine and set battery master switch to the "OFF" position prior to working on the vehicle.**

1. Remove the Phillips-head screws retaining the defroster panels, and remove panels.
2. Disconnect wiring connector from the windshield wiper motor.
3. Loosen clamping screw retaining the lever at the end of the motor driving shaft.
4. Remove the three bolts holding the motor to the steel plate.
5. Remove the windshield wiper motor (Prévost #800328), reverse removal procedure to reinstall.

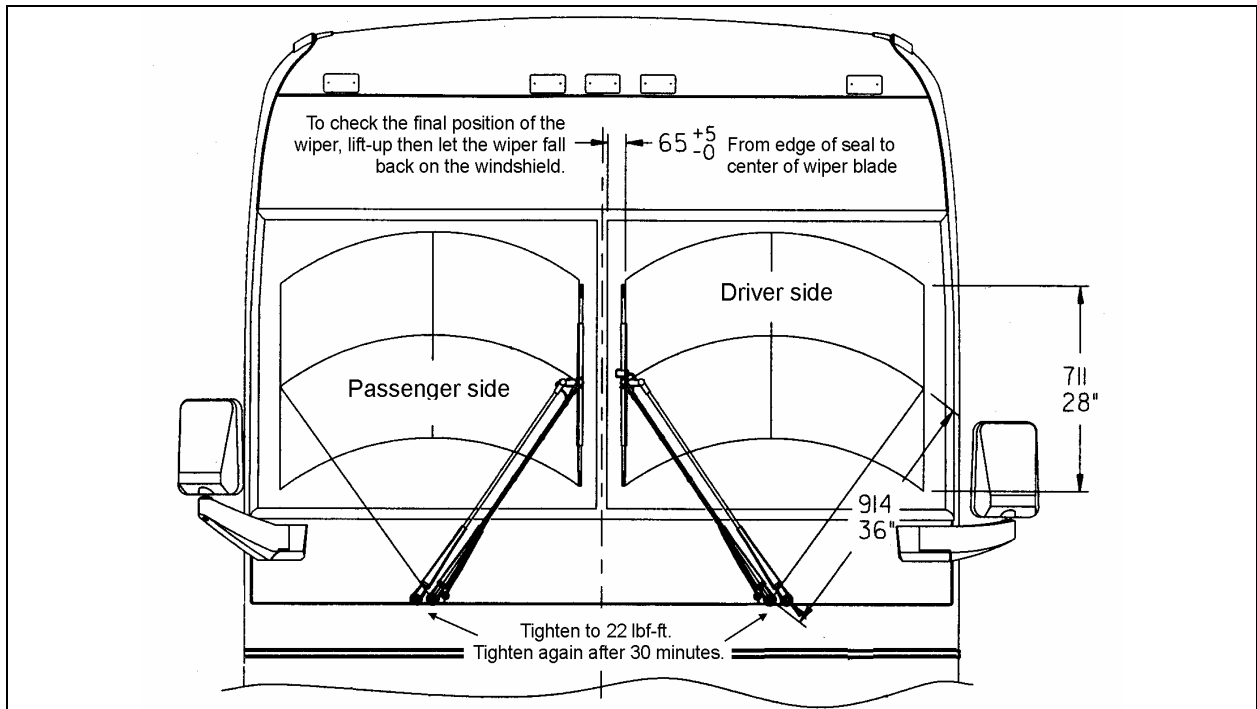


FIGURE 38: WIPER ARMS POSITIONING

23253

8.4 TROUBLESHOOTING

SYMPTOM	PROBABLE CAUSE	REMEDY
FAIL TO SPRAY WASHER FLUID	<ul style="list-style-type: none"> <li>A. Reservoir empty.</li> <li>B. If below 32°F (0°C), improper washer fluid frozen.</li> <li>C. Contamination in tubing or nozzles.</li> <li>D. Tubing damage.</li> <li>E. Tubing bent (kinked) or off one or more connections.</li> </ul>	<ul style="list-style-type: none"> <li>A. Add proper fluid.</li> <li>B. Store coach or parts in heated area, then purge system with low-temperature solution.</li> <li>C. Remove with compressed air, if severely clogged, replace items.</li> <li>D. Replace section.</li> <li>E. Realign tubing and/or refit. Trim end to ensure proper fit or replace.</li> </ul>
INADEQUATE SPRAYING	<ul style="list-style-type: none"> <li>A. Tubing failure.</li> </ul>	<ul style="list-style-type: none"> <li>A. Replace tubing.</li> </ul>
SLOW OPERATION	<ul style="list-style-type: none"> <li>A. Improper solution.</li> <li>B. Jet stream improperly directed.</li> <li>C. Check if valve is stuck in the open position.</li> </ul>	<ul style="list-style-type: none"> <li>A. Replace with proper type solution.</li> <li>B. Reposition nozzles.</li> <li>C. Remove, clean or replace.</li> </ul>

**9. SPECIFICATIONS**

**AMPLIFIER**

Make..... R.E.I.  
 Model..... AMP-3000  
 Power source .....24 volts DC Negative ground  
 Current ..... 8 Amps maximum  
 Frequency Response..... 10-30,000 Hz  
 Output..... 90 watts/channel maximum power  
 ..... 65 watts/channel RMS at 4 ohm @ 0.5 T.H.D.  
 Signal to noise ratio.....86 dB  
 Supplier number ..... 700771  
 Prévost number ..... 901056

**AM/FM RADIO CASSETTE PLAYER**

Make..... Panasonic  
 Model..... CQ-R145CAHH  
 Power source ..... 12 volts  
 Supplier number ..... 700760  
 Prévost number ..... 901032

**8 DISC CD CHANGER**

Make..... R.E.I.  
 Supplier number ..... 700739  
 Prévost number ..... 901057

**AM/FM RADIO CD PLAYER**

Make..... Panasonic  
 Model..... CP-DP101U  
 Power source ..... 12 volts  
 Supplier number ..... 700788  
 Prévost number ..... 901053

**SPEAKER**

Make..... Robert Bosch  
 Max. power.....90 watts  
 RMS power .....40 watts  
 Freq. response ..... 45 Hz - 24 kHz  
 Sensitivity .....92 dB  
 Impedance ..... 4 ohms  
 Supplier number ..... RPSPKR54  
 Prévost number ..... 900765

**CONTROL HEAD**

Make..... R.E.I.  
 Model..... C-2000  
 Supplier number ..... 700227  
 Prévost number ..... 900803

**VIDEO CASSETTE PLAYER (VCP)**

Make..... R.E.I.  
 Model..... V-3000  
 Supplier number ..... 700749  
 Prévost number ..... 901030

**BOOM-TYPE MICROPHONE**

Make..... R.E.I.  
 Supplier number..... 480076BK  
 Prévost number..... 900763

**HANDHELD PRIORITY MICROPHONE**

Make..... R.E.I.  
 Supplier number..... 480015  
 Prévost number..... 900808

**RUBBER COATED MICROPHONE**

Make..... R.E.I.  
 Supplier number..... 480228  
 Prévost number..... 900745

**16 CHANNEL WIRELESS MICROPHONE**

Make..... R.E.I.  
 Supplier number..... 700598  
 Prévost number..... 900954

**16 CHANNEL WIRELESS MICROPHONE CHARGING STATION**

Make..... R.E.I.  
 Supplier number..... 700532  
 Prévost number..... 900953

**16 CHANNEL WIRELESS MICROPHONE RECEIVER**

Make..... R.E.I.  
 Supplier number..... 700599  
 Prévost number..... 900952

**TV TUNER**

Make..... R.E.I.  
 Power source ..... 24V  
 Supplier number..... 700471  
 Prévost number..... 900814

**KARAOKE**

Make..... Panasonic  
 Model..... MOBILE DVD PLAYER DV1500  
 Supplier number..... 700761  
 Prévost number..... 901033

**TV MONITOR**

Make..... R.E.I.  
 Power source ..... 24V  
 Supplier number..... 700800  
 Prévost number..... 901070

**HUBODOMETER (US model: miles)**

Make..... Stemco  
 Supplier number..... 650-0593  
 Prévost number..... 650002

**Section 23: ACCESSORIES**

---

**HUBODOMETER (Canada model: km)**

Make..... Stemco  
Supplier number..... 650-0025  
Prévost number..... 650117

**ELECTRIC DESTINATION SIGN (FLUORESCENT TUBE)**

Make..... General Electric  
Length ..... 30" (76 cm)  
Outside diameter..... 1" (25 mm)  
Wattage ..... 20  
Color..... Cool white  
Quantity ..... 1  
Supplier number..... F30T8 CW4  
Prévost number..... 830120

**ELECTRONIC DESTINATION SIGN**

Make..... Pocatec  
Supplier number..... 9000230  
Prévost number..... 940050

**LAVATORY VENTILATION FAN MOTOR**

Make..... Aurora  
Type ..... RG500EF  
Voltage ..... 24 volts DC  
Rotation ..... R.H.  
Supplier number..... 131.40.50  
Prévost number..... 870844

**LAVATORY FLUORESCENT TUBES**

Make..... General Electric  
Model..... F15T8CW  
Length ..... 18" (45 cm)  
Wattage ..... 15  
Quantity ..... 2  
Prévost number..... 830102

**EMERGENCY BUZZER SWITCH (PUSH BUTTON)**

Make..... Cole Hersee Co.  
Voltage ..... 24 V  
Supplier number..... 40224  
Prévost number..... 562117

**FRESH WATER TANK**

Make..... Prévost  
Capacity ..... 18 US gal (68 liters)  
Prévost number..... 401591

**FLUSH PUSH BUTTON PNEUMATIC TIMER**

Make..... Furnas  
Type ..... Resettable  
Time ..... 0,2 to 180 seconds  
Supplier number..... 55-AA  
Prévost number..... 900348



**FLUSH PUMP**

Make..... RULE 2000  
Model number ..... 12 - 24 V  
Power source ..... 24 volts DC  
Capacity ..... 1450 GPH  
Prévost number ..... 900960

**AIR HORN**

Make..... Allied Signal Inc.  
Supplier number ..... 101493  
Prévost number ..... 640093

**AIR HORN VALVE**

Make..... Allied Signal Inc.  
Supplier number ..... 228672  
Prévost number ..... 640128

**WINDSHIELD WIPER MOTOR**

Make..... BOSCH  
Supplier number ..... 0390442401  
Prévost number ..... 800328

**WIPER (BLADE)**

Make..... BOSCH  
Supplier number ..... 3398110095  
Prévost number ..... 800329

**WIPER ARM**

Make..... BOSCH  
Supplier number ..... 6002UWA060  
Prévost number ..... 800331