

SECTION 16: SUSPENSION

CONTENTS

1. DESCRIPTION	3
2. AIR SPRINGS.....	4
2.1 INSPECTION	4
2.2 REMOVAL	5
2.3 INSTALLATION	5
3. SHOCK ABSORBERS.....	5
3.1 INSPECTION	6
3.2 REMOVAL	6
3.3 INSTALLATION	7
4. RADIUS RODS.....	7
4.1 INSPECTION	7
4.2 REMOVAL	7
4.3 BUSHING REMOVAL	7
4.4 BUSHING INSTALLATION	8
4.5 INSTALLATION	8
5. SWAY BAR	9
5.1 REMOVAL	9
5.2 INSTALLATION	9
6. SUSPENSION AIR SYSTEM	9
6.1 INSPECTION	9
6.2 AIR LINE TEST	10
6.3 AIR TANK MAINTENANCE	10
7. SUSPENSION HEIGHT ADJUSTMENT	10
8. HEIGHT CONTROL VALVES	11
8.1 MAINTENANCE	11
8.1.1 <i>Removal and installation</i>	11
8.1.2 <i>Air leakage test</i>	11
9. FRONT KNEELING SYSTEM.....	12
9.1 PRINCIPLE OF OPERATION.....	12
9.2 MAINTENANCE	12
9.3 BELLOWS CONTROL SOLENOID VALVES.....	12
9.3.1 <i>Removal and installation</i>	12
10. HIGH-BUOY SYSTEM.....	13
10.1 PRINCIPLES OF OPERATION.....	13
10.2 MAINTENANCE	13
10.3 HIGH-BUOY – PRESSURE REGULATOR.....	13
10.3.1 <i>Adjustment</i>	13
10.3.2 <i>Disassembly</i>	14
10.3.3 <i>Cleaning</i>	14
10.3.4 <i>Reassembly</i>	14
11. LOW-BUOY SYSTEM	14
11.1 PRINCIPLES OF OPERATION.....	14
11.2 MAINTENANCE	14

Section 16: SUSPENSION

12. TROUBLESHOOTING.....	15
13. TORQUE SPECIFICATIONS.....	16
14. PARTS SPECIFICATIONS.....	19

ILLUSTRATIONS

FIGURE 1: FRONT SUSPENSION COMPONENTS.....	3
FIGURE 2: DETAILS OF FRONT SUSPENSION.....	3
FIGURE 3: REAR SUSPENSION COMPONENTS.....	4
FIGURE 4: DETAILS OF REAR SUSPENSION.....	4
FIGURE 5: TAG AXLE SUSPENSION.....	4
FIGURE 6: AIR SPRING.....	4
FIGURE 7: SHOCK ABSORBER.....	6
FIGURE 8: TYPICAL SHOCK ABSORBER SETUP.....	7
FIGURE 9: TYPICAL RADIUS ROD SETUP.....	7
FIGURE 10: RADIUS ROD BUSHING REMOVAL.....	8
FIGURE 11: RADIUS ROD BUSHING INSTALLATION.....	8
FIGURE 12: RADIUS ROD INSTALLATION.....	8
FIGURE 13: FRONT & DRIVE AXLE SWAY BAR.....	9
FIGURE 14: TYPICAL AIR SPRING CLEARANCE.....	10
FIGURE 15: HEIGHT CONTROL VALVE.....	11
FIGURE 16: AIR PRESSURE REGULATOR.....	13
FIGURE 17: TORQUE SPECIFICATIONS.....	16
FIGURE 18: TORQUE SPECIFICATIONS.....	16
FIGURE 19: TORQUE SPECIFICATIONS.....	17

1. DESCRIPTION

The vehicle is provided with an air suspension system. The system consists of air springs, height control valves, radius rods, sway bars, tripod and shock absorbers (Fig. 1, 2, 3, 4 and 5). The system operation is fully automatic and maintains a constant vehicle height regardless of load, or load distribution.

The vehicle can also be equipped with systems such as:

- Front Kneeling (w/ Front High-Buoy);
- Front Kneeling (w/ Full High-Buoy);
- Front Kneeling (w/ Front High-Buoy) and Low-Buoy Combination;
- Front Kneeling (w/ Full High-Buoy) and Low-Buoy Combination;

For a description of each of these systems, refer to the appropriate heading in this section.

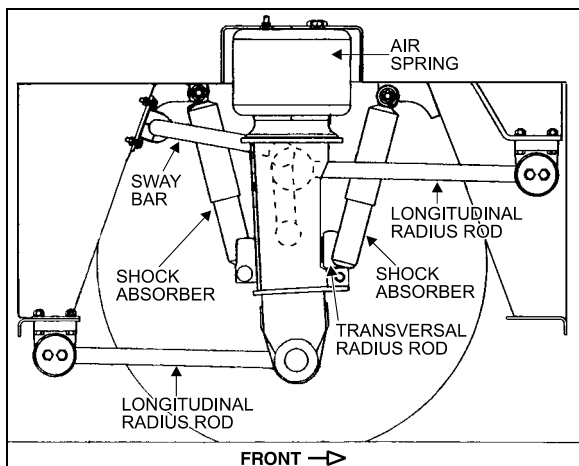


FIGURE 1: FRONT SUSPENSION COMPONENTS 16002

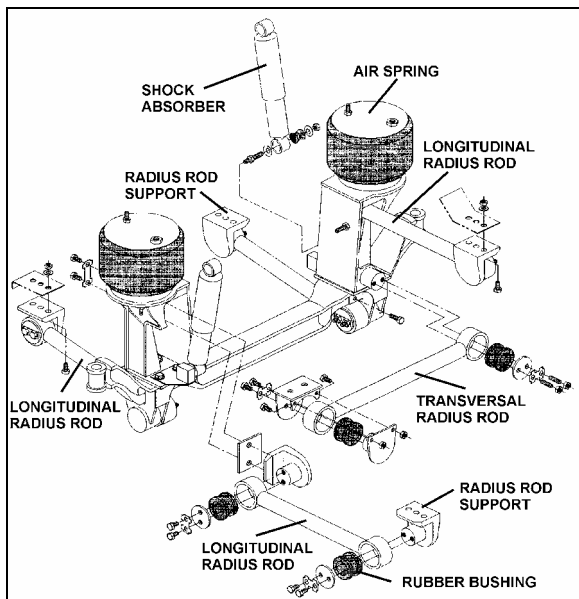


FIGURE 2: DETAILS OF FRONT SUSPENSION 16105

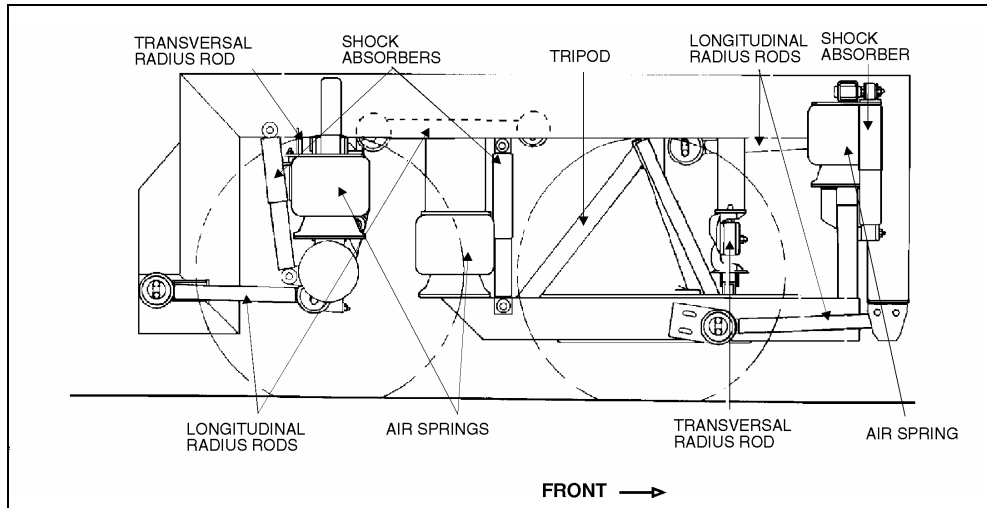


FIGURE 3: REAR SUSPENSION COMPONENTS

16003

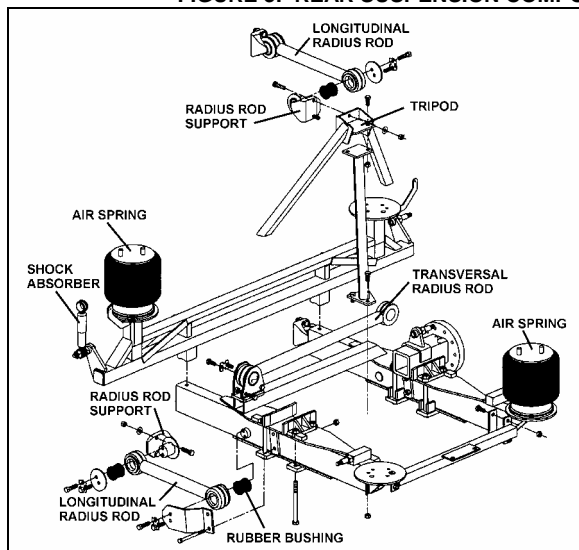


FIGURE 4: DETAILS OF REAR SUSPENSION

16106

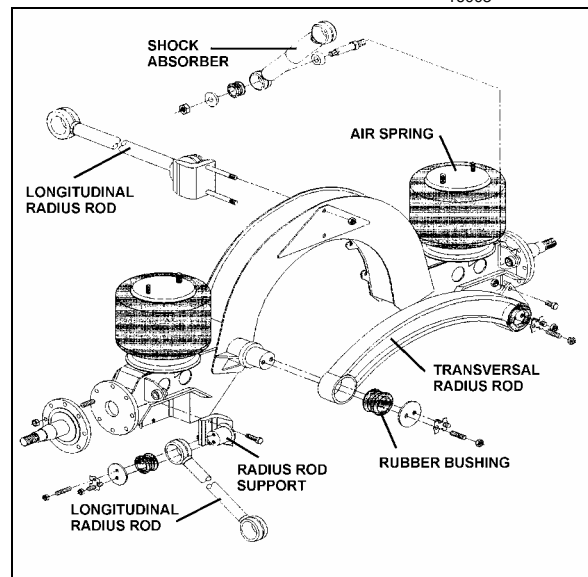


FIGURE 5: TAG AXLE SUSPENSION

16107

2. AIR SPRINGS

The air springs are made from a special compound rubber molded to the proper contour and dimensions. The entire vertical load of the vehicle is supported by these springs. Each of the three axles is provided with air springs that are attached to the subframe and to the axles (Fig. 6).

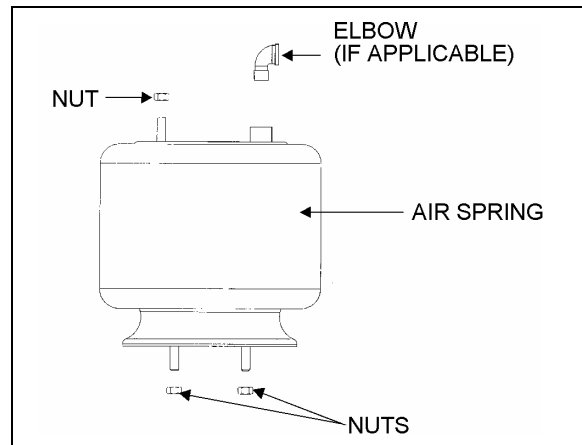


FIGURE 6: AIR SPRING

16052

2.1 INSPECTION

1. Check operation of bellows.

2. Visually inspect bellows for evidence of cracks, punctures, deterioration, or chafing. Replace the bellows if any damage is evident.
3. With the primary air system at normal operating pressure (95 - 125 psi (655 - 860 kPa)), coat all suspension air line connections and bellows mounting areas with a water and soap solution. Bubbles will indicate an air leak, and none is permissible. Repair or replace defective parts.

Note: If air spring is removed from vehicle, bellows can be lightly inflated and submerged in water to detect any leakage. If any leakage is detected, replace bellows.

Warning: To prevent personal injury, do not apply more than 10 psi (69 kPa) air pressure with the air spring unmounted.

2.2 REMOVAL

Note: Suspension air springs (front, drive, and tag axles) can be removed without removing the entire axle assembly.

1. Safely support vehicle at the recommended body jacking points.

To gain access to a given air spring, the corresponding wheel can be removed as follows:

- a) Jack vehicle until the tire clears the ground, and place safety supports underneath body.

Caution: Only the recommended jacking points must be used as outlined in Section 18, "Body".

- b) Support the axle with a suitable hydraulic floor jack at the recommended jacking point.
 - c) Remove wheel.
2. Exhaust compressed air from accessory air tank by opening drain cock under reservoir.
 3. Disconnect the height control valve link and pull down the overtravel lever to ensure all air is exhausted from air springs.

Note: While performing this step, do not change the height control valve overtravel lever adjustment.

4. Disconnect air line from air spring, remove elbow (if applicable), and cover both the line end and fitting to prevent the entry of foreign matter.
5. Remove the air spring upper nut, and then the two lower nuts. Remove air spring.

2.3 INSTALLATION

1. Compress air spring as necessary, then aligning studs with their holes, position air spring between both the lower and upper supports. Thread the lower nuts and the small upper nut a few turns.

Note: To facilitate air spring installation, compress it manually then put a piece of tape over the air line threaded fitting. This prevents air from getting back into the bag and keeps it compressed, thus enabling to place the bag in between the mounting plates and greatly easing installation.

2. Tighten and torque the lower stud nuts, and then the upper one according to paragraph 13 Torque Specifications.
3. Thread the remaining upper nut (large nut) and tighten according to paragraph 13 Torque Specifications.
4. Install elbow (if applicable), then connect air line.
5. Connect the height control valve link.
6. Build up air pressure in system.

Note: To accelerate this operation, air reservoirs can be filled from an exterior air supply connected to the accessory tank fill valve or to the emergency fill valve.

7. Check operation of bellows and with the primary air system at normal operating pressure (95 – 125 psi (655 – 860 kPa)), coat the air line connections and air spring mounting areas with a water and soap solution. Bubbles will indicate an air leak, and none is permissible. Repair or replace defective parts.
8. Reinstall wheel.
9. Remove the hydraulic floor jack from under the axle, then lower vehicle to ground.

3. SHOCK ABSORBERS

Double-action, telescoping-type shock absorbers ensure a smooth ride and enhance

Section 16: SUSPENSION

vehicle stability on the road. All shock absorbers are eye-type mountings. The front and tag axles are each provided with two shock absorbers while the drive axle is provided with four of them (Fig. 1, 2, 3, 4 and 5).

Shock absorbers are non-adjustable and non-repairable. Maintenance requirements involve replacement of the rubber mounting bushings, and tightening of all shock absorber pins according to paragraph 13 Torque Specifications when shock absorber replacement occurs. If a shock absorber becomes inoperative, complete unit must be replaced.

Caution: When a shock absorber is found defective, always replace with a new set on affected axle, except if there has been a recent replacement of one unit. The following method will help in determining if both shock absorbers on the same axle have to be replaced.

3.1 INSPECTION

Loosen lower mounting of both shocks, and then carefully attempt to raise and lower the bottom portion of each shock. Note the rate of effort for distance of travel. Replace both shocks if a definite differential rate is found.

The shock must be bench checked in an upright, vertical position. If checked in any other position, air will enter the cylinder tube and make the shock absorber appear defective.

Proceed as follows to check shock absorbers:

1. With the shock absorber in a vertical position (top end up), clamp the bottom mount in a vise.

Caution: Do not clamp the reservoir tube or the dust tube.

2. Rotate the dust tube. Notice any binding condition (may be compared with new unit). Binding condition indicates a scored rod. Units with scored rods should be replaced.
3. Fully extend shocks and check for leaks in the seal cover area. Shock fluid is a very thin hydraulic fluid that has a characteristic odor and dark brown tint. A slight trace of shock fluid around the seal cover area is not a cause for replacement (Refer to the SACHS document "Guideline To Evaluate Warranty Claims" annexed at the end of this section before replacing a shock). The shock seal is designed to permit a very

slight seepage to lubricate the rod. Units that leak should be replaced.

4. Visually check shock for dents that could cause the shock to bind. Also, check for a bent rod.
5. Extend and collapse shock several times to determine that it has control (resistance) in both rebound and compression.
6. Visually inspect the shock mountings and vehicle mounting for:
 - a. Broken mounts;
 - b. Extreme bushing wear;
 - c. Shifted bushing or sleeve;
 - d. Deep cracks in bushing material (shallow surface cracks are normal);
 - e. Loose shock absorber pins;
 - f. Presence of convex washers, and their position relative to the rubber bushing.

3.2 REMOVAL

1. Remove nuts and washers from shock absorbers on upper and lower mounting pins, taking care to identify the inner and outer washers to ease reinstallation. Refer to figure 7 for details.
2. Remove the shock absorber assembly from pins.
3. Remove the two inner bushings from the shock absorber and discard them.

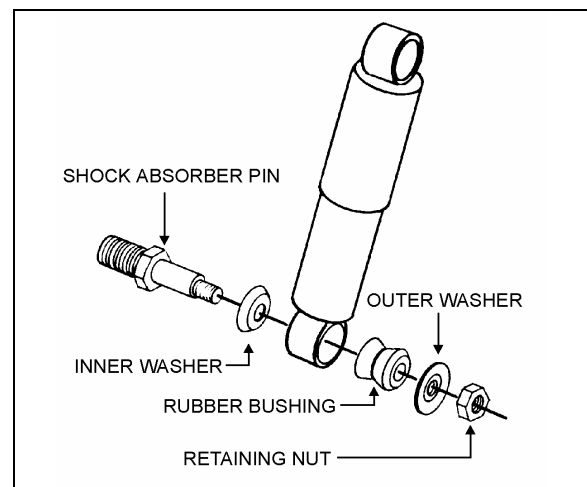


FIGURE 7: SHOCK ABSORBER

16008

3.3 INSTALLATION

1. Ensure that the shock absorber mounting pins are tight and that the threads are not stripped.
2. Install new rubber mounting bushings on shock absorbers (upper and lower).
3. Place the inner washers (with washer convex side facing the shock absorber rubber bushing) on each shock absorber pin (Fig. 8).

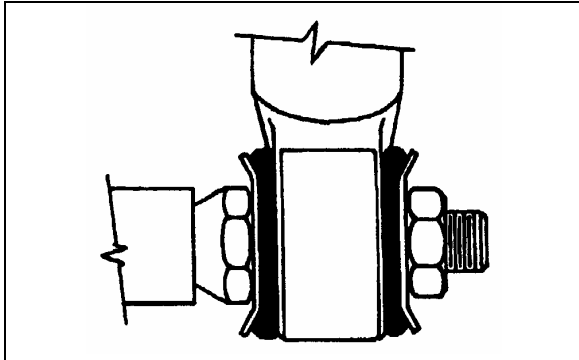


FIGURE 8: TYPICAL SHOCK ABSORBER SETUP 16009

4. Install the shock absorber eyes over the mounting pins, then the outer washers (with washer convex side facing the shock absorber rubber bushing) on each shock absorber extremity.

Note: If shock absorber pins are removed, they must be reinstalled using "Loctite 242".

5. Place the lower and upper mounting pin stud nuts and torque according to paragraph 13 Torque Specifications.

4. RADIUS RODS

Radius rods are used to secure the axles in the proper transversal and longitudinal positions. Four radius rods are provided on the front axle suspension (three longitudinal and one transversal), four on the drive axle suspension (three longitudinal and one transversal) and also four on the tag axle with a layout similar to the drive axle. Refer to figures 1, 2, 3, 4 and 5 for details. These rods transmit both braking and driving forces from the axles to the vehicle body.

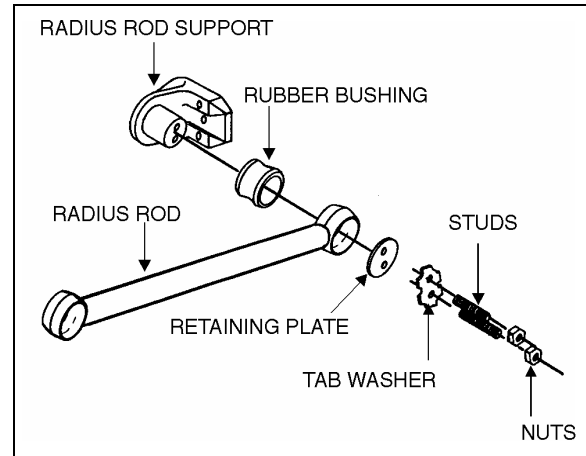


FIGURE 9: TYPICAL RADIUS ROD SETUP 16010

4.1 INSPECTION

The following instructions apply to all radius rods used on this vehicle:

1. Clean all parts thoroughly.
2. Inspect radius rods for distortion and cracks. We recommend the "Magnaflux" process to detect cracks in the radius rod. Any damaged part should be replaced with a new one.

Note: New bushings should be used when rods are replaced.

3. The radius rod bushings should be checked periodically for signs of shearing, deterioration, or damage. Any defective part should be replaced with a new one.

4.2 REMOVAL

1. Flatten the tab washer which secures the two retaining nuts (or bolts), then unscrew the nuts (or bolts) at each extremity of the radius rod (Fig. 9).
2. Remove the tab washer and the retaining plates and radius rod ends from anchor pins, and then remove the radius rod.

4.3 BUSHING REMOVAL

1. Safely support the radius rod as shown in figure 10.

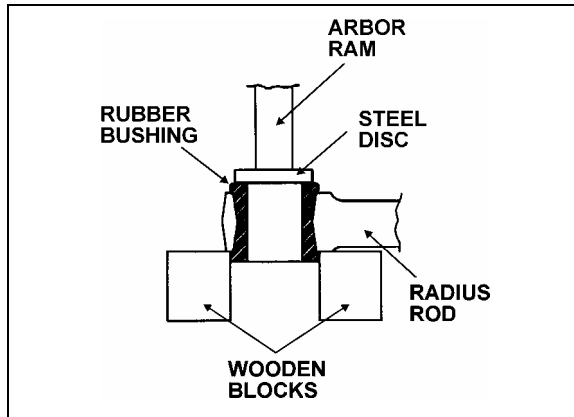


FIGURE 10: RADIUS ROD BUSHING REMOVAL 16011

2. Place a flat steel disc, slightly smaller than the outside diameter of the bushing (Fig. 10).
3. Using an arbor press or a suitable driving tool, press or drive the old bushing out of the rod and discard the bushing.

4.4 BUSHING INSTALLATION

1. Lightly spray the inner and outer surfaces of radius rod bushing with water.

Caution: No lubricant whatsoever is to be used on the rubber bushing.

2. Safely support the radius rod, and place new bushing on top of the radius rod end (Fig. 11).
3. Place a block of wood on top of bushing and press on it manually.
4. If necessary, use an arbor press or a suitable driving tool. Press or drive the bushing into the radius rod end until it extends equally on both sides of the rod.
5. It is also possible to proceed differently. Place radius rod bushing on a plane surface. Spray a light coat of water on the inner and outer surfaces of radius rod bushing.
6. Take radius rod, align the bushing. Tap radius rod on bushing until latter is positioned correctly.

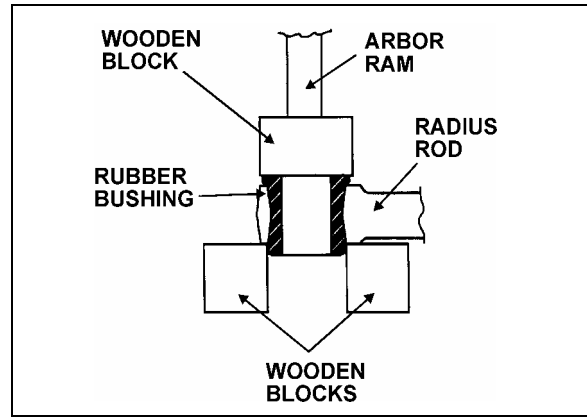


FIGURE 11: RADIUS ROD BUSHING INSTALLATION 16012

4.5 INSTALLATION

1. Lightly spray the radius rod support with water. Place the radius rod end over the radius rod support (Fig. 12).
2. Put 3 drops of Loctite243 (Prevost #680038) in each radius rod support tapped blind holes and a line of Loctite on bolts.
3. Position the retaining plate. Install the tab washer and nuts (or bolts).

Caution: Always use new tab washers at installation.

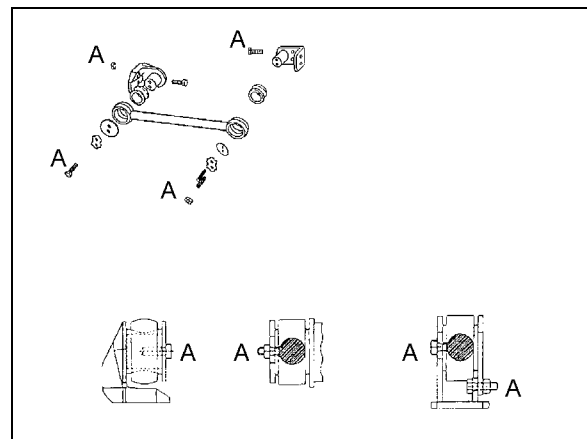


FIGURE 12: RADIUS ROD INSTALLATION 16028

4. Tighten the nuts (or bolts) lightly, and repeat at the other end.
5. Refer to heading "SUSPENSION HEIGHT ADJUSTMENT" later in this section, and set the vehicle to normal ride height.
6. With the vehicle at normal ride height, apply oil on threads and tighten all radius rod anchor pin nuts or bolts according to paragraph 13 Torque Specifications.

Caution: It is extremely important upon reconnection of the rods that the proper clearance height between the axle and body be maintained. Otherwise, the rubber bushings in radius rod ends will become preloaded, thus reducing their life span.

5. SWAY BAR

A sway bar is provided on the front and drive axles to increase vehicle stability. It controls lateral motion (swaying movement) of vehicle (Fig. 13).

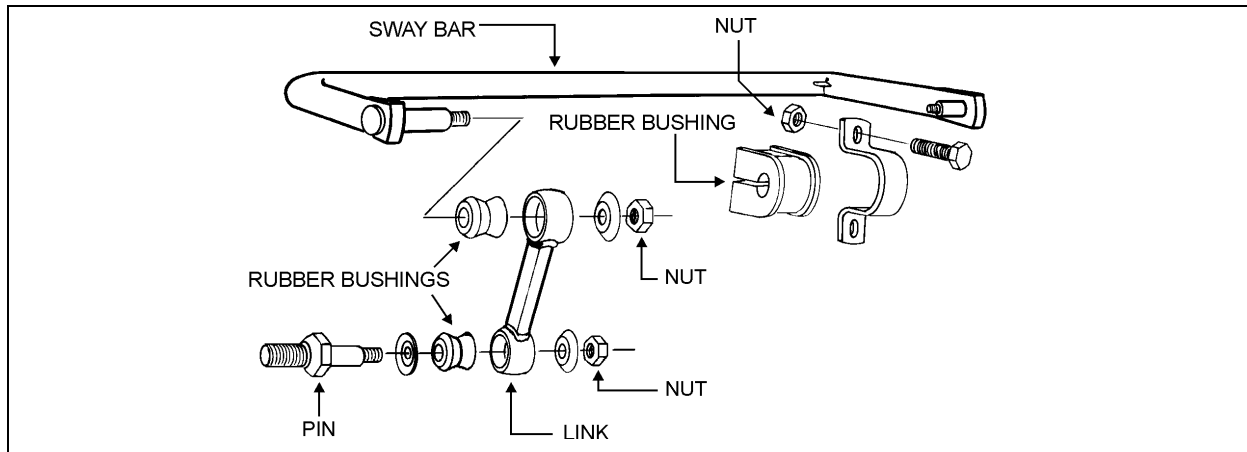


FIGURE 13: FRONT & DRIVE AXLE SWAY BAR

16144

5.1 REMOVAL

1. Disconnect the two links from sway bar.
2. Safely support the sway bar. Unbolt the four bushing collars from subframe.
3. Remove sway bar.

Note: Sway bar bushings are slotted to ease their removal.

5.2 INSTALLATION

1. Loosely install the sway bar.
2. Tighten the eight bushing collar nuts according to paragraph 13 Torque Specifications (Fig. 13).
3. Tighten sway bar link upper nuts and lower nuts according to paragraph 13 Torque Specifications (Fig. 13).

6. SUSPENSION AIR SYSTEM

The suspension air system has its own air reservoir (accessory tank) which is located in the reclining bumper compartment. Pressurized air from the main tank (wet tank) flows through a pressure protection valve (PR-2), to the

accessory air tank and through an air filter which is located in front service compartment.

The pressure protection valve (PR-2) is mounted to the supply port of the tank. This valve controls the pressure at which compressed air is delivered to the accessory air tank. The valve remains closed until a preset pressure is reached (approximately 70 psi (485 kPa)). It then opens and passes air out the delivery port.

The main use for this valve is to protect the main air system by ensuring at all times a sufficient air pressure in the main system (i.e. air delivered to the accessories will be shut off in case of a decrease in pressure). Maintenance and repair information on the pressure protection valve is supplied in the applicable booklet, annexed to Section 12, "Brakes and Air System" under reference number SD-03-2010.

Warning: Depressurize parts prior to removal.

6.1 INSPECTION

The following inspection should be performed at established service inspection periods. Performing these procedures will allow substandard performance to be discovered

Section 16: SUSPENSION

before the condition becomes bad enough to cause operator complaints and failure on a run.

1. Visually inspect the suspension air lines for evidence of chafing on metal parts or other damage.
2. Visually inspect the air springs for cracks, abrasion or other damage.
3. Replace any parts found to be damaged.

6.2 AIR LINE TEST

With the main air system at normal operating pressure, coat all suspension air line connections and air spring mountings with a solution of soap and water. Air leakage will produce soap bubbles. Any leak found must be corrected as no air leakage is permissible.

6.3 AIR TANK MAINTENANCE

Refer to Section 12, "Brakes and Air System" under "MAINTENANCE" for complete instructions on air tank maintenance.

7. SUSPENSION HEIGHT ADJUSTMENT

The flow of pressurized air from the accessory air tank to the air springs is controlled by three height control valves. These valves are mounted to the subframe and connected to the axles through an arm and link connection. This connection allows the valves to apportion air pressure in the springs to the vehicle load, maintaining normal ride height.

Immediate response height control valves increase or decrease the air pressure in the suspension system as required. One height control valve is located at center of front axle, and regulates air to front axle air springs in order to maintain the vehicle at the required height. Two are located at the drive axle, one on each inner side of rear wheelhouse. Refer to figure 15.

The appropriate vehicle body height is obtained by measuring the clearance of all the air springs installed on the front and drive axles. The clearance should be $12 \pm \frac{1}{4}$ " (305 ± 6 mm) for the air springs installed on the front axle and $11\frac{1}{2} \pm \frac{1}{4}$ " (292 ± 6 mm) for those installed on the drive axle. Refer to figure 14 to identify the correct location where the measure has to be taken. At this point, it should not be necessary to make an adjustment under normal service conditions. However, if an adjustment is

required, change the position of the overtravel lever in relation to the overtravel control body. The lever should be moved up to raise the height of vehicle and down to lower it. Check that main air pressure is at normal operating pressure and raise the vehicle to the specified height.

Caution: Because of the "deadband", always adjust on "fill cycle". If it is necessary to lower vehicle height, release sufficient air to be well below height, and adjust to height through fill cycle.

To adjust suspension height, proceed as follows:

1. With the vehicle at normal operating air pressure, check the air spring clearance as illustrated in figure 14. This clearance should be $12 \pm \frac{1}{4}$ " (305 ± 6 mm) for the front axle air springs and $11\frac{1}{2} \pm \frac{1}{4}$ " (292 ± 6 mm) for those on the drive axle.

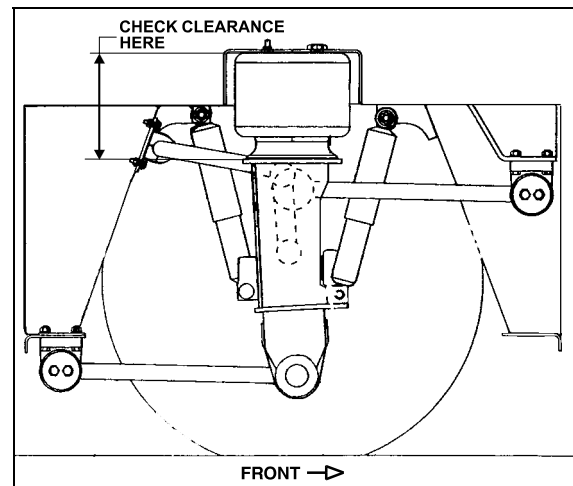


FIGURE 14: TYPICAL AIR SPRING CLEARANCE 16108

Note: The measure should be taken from under the upper air spring support on subframe to top of the lower air spring support on axle (refer to fig. 14 for more details). If adjustment is required, begin with the drive axle.

2. Loosen the adjusting nuts on the connecting rod of height control valve to raise or lower the overtravel lever until the desired clearance is reached.
3. If there is not enough play on adjusting nuts, it is possible to make further adjustments by loosening the clamp on the rubber coupling and bringing it up or down.

Note: Allow suspension to stabilize before taking reading.

- When the desired height is obtained, tighten adjusting nuts and clamp.

8. HEIGHT CONTROL VALVES

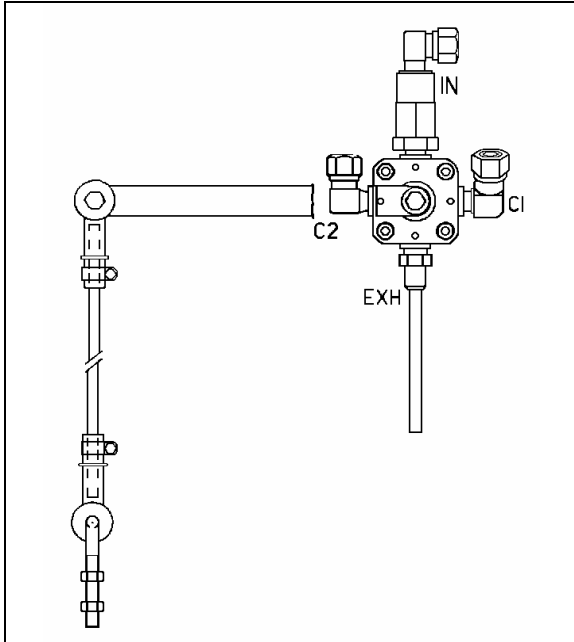


FIGURE 15: HEIGHT CONTROL VALVE 16093

The height control valves automatically add air to, or release air from air springs to maintain constant suspension height regardless of load, or load distribution. Each valve adjusts independently according to the following conditions:

Loading position

As the load increases and lowers the vehicle body, the overtravel lever commands the height control valve to add air to air springs.

Neutral position

When vehicle body reaches the normal ride height, the height control valve overtravel lever reaches the "neutral" position and keeps both the supply and exhaust ports closed to ensure normal ride height is maintained. This condition remains static until the vehicle load is altered.

Unloading position

As the load decreases and raises the vehicle body, the overtravel lever commands the height control valve to release air from air springs.

8.1 MAINTENANCE

The height control valve requires no periodic maintenance. Height control valve linkage operates on rubber bushings and no lubrication should be attempted at this point.

8.1.1 Removal and installation

Before disconnecting any height control valve air lines, securely support the vehicle by its jacking points on the body, and place safety support underneath body. Refer to "VEHICLE JACKING POINTS" in Section 18, "Body".

- Exhaust air from air system by opening the drain cock on accessory air reservoir.
- Disconnect overtravel lever from link and pull down lever to exhaust remaining air from air springs.
- Disconnect air supply and delivery lines from the height control valve. Cover ends of the lines with tape.
- Remove the two nuts retaining the height control valve to the mounting bracket, then remove valve assembly.

Reverse removal procedure to replace height control valve. After installation, check for leakage using a soap and water solution.

8.1.2 Air leakage test

Note: The following procedure applies when valve assembly has been removed from vehicle.

- Clean the exterior of valve assembly.
- Connect air pressure line to air inlet port, then allow air pressure build-up (70- 100 psi (480 - 690 kPa)).
- Dip the valve assembly in a container of water, and watch for air bubbles when the overtravel lever is in the center position. No air should escape from any point of the valve assembly.
- If bubbles appear from the air spring port, this is an indication that the air inlet valve assembly is defective and must be replaced.
- Remove air pressure line from air inlet fitting and connect it to the air spring port. If bubbles appear at the air inlet check valve port, this is an indication that check valve unit is defective and must be replaced.
- If bubbles appear at the exhaust port, this is an indication that the exhaust valve assembly is defective and must be replaced.

Section 16: SUSPENSION

7. If bubbles appear around edge of valve cover plate, the cover plate gasket must be replaced.
8. If no leaks are found, remove valve assembly from water, then with air pressure still connected to the air spring port, actuate overtravel lever to remove any excess water which may have entered exhaust valve chamber. Remove air line, connect it to the air inlet port, and repeat operation to remove water from the air inlet valve chamber.

9. FRONT KNEELING SYSTEM

The kneeling system is used to lower front of vehicle. This allows passengers to board the vehicle with greater ease. The kneeling action is achieved by exhausting air from the front air springs (bellows). This system bypasses the height control valve to provide a fast up and down movement of the front suspension. Only seven seconds are required to lower vehicle from normal level to the lowered position, and approximately the same time to raise the vehicle back to normal level. The quick response is achieved by an auxiliary air tank installed beside the secondary air reservoir (for exact position, refer to Section 12, *"Brake and Air System"*).

This tank provides sufficient air supply to the kneeling system for some successive operations.

The system is provided with two safety features; first, a speed switch will enable the kneeling system to work only below 5 mph (8 km/h). Secondly, the parking brake is automatically applied, and a limit switch will keep it applied as long as the vehicle has not returned to a certain height where the driver will be able to manually remove the parking brake.

The purpose of the hi-buoy function in this system is to raise the front end of the vehicle to allow an extra ground clearance for particular situations. In driving condition, the height control valve is in operation and only the hi-buoy can be operated.

9.1 PRINCIPLE OF OPERATION

Refer to the air system schematic diagram annexed at the end of Section 12, *"Brake and Air System"*.

DOWN (FRONT KNEELING):

Both the bellows control and bellows exhaust solenoid valves are energized, so the air control valves release air from front air springs. The height control valve is bypassed to ensure no air is forwarded to air springs while lowering the front suspension.

UP (FRONT HIGH-BUOY):

Only the bellows control solenoid valve is energized, so the air coming from the kneeling air tank is routed through air control valves, and up to front air springs.

The height control valve is bypassed until the kneeling proximity switch signals the kneeling module to cut off the bellows control solenoid valve, about 1" (25 mm) below normal ride height. The final height adjustment is achieved by the height control valve.

9.2 MAINTENANCE

Since the kneeling action is issued from both the air system and electrical system, refer to Section: 12, *"Brake and Air System"* and Section 06, *"Electrical System"*.

For diagnosis and understanding of the system, refer to wiring diagrams, and to the appropriate air system schematic diagram annexed to Section 12, *"Brake and Air System"*.

9.3 BELLOWS CONTROL SOLENOID VALVES

9.3.1 Removal and installation

1. On the rear side of steering compartment, locate both the bellows control and bellows exhaust solenoid valves.
2. Identify hoses and wires to ease reinstallation. Disconnect solenoid wires and the three flexible black hoses from solenoid valves.
3. Unscrew and remove the control solenoid valve and exhaust solenoid valve assembly. Place on a clean working place.

Reverse removal procedure to reinstall.

Caution: Any cable tie that has been cut during removal procedure should be replaced with a new one.

10. HIGH-BUOY SYSTEM

The purpose of the rear high-buoy system is to raise the entire vehicle body about 4" (100 mm) in order to increase ground clearance to board a ferryboat, to jump a curb, etc. This system can be put into service during normal vehicle operation.

10.1 PRINCIPLES OF OPERATION

The rear high-buoy system is added over the front kneeling (with front high-buoy). The front end uses the same valves as the front kneeling (with front high-buoy). A solenoid valve is added to send air to the double shuttle valves for the rear end. It uses the same dash switch as the kneeling (with front high-buoy).

UP:

The air coming from the control valve, flows through double shuttle valves, to supply air springs. The double shuttle valves prevent height control valves from releasing air from air springs.

DOWN:

The control valve, on the dashboard, cuts off air supply, so the double shuttle valves allow height control valves to accomplish their function. Height control valves release air from air springs until suspension returns to its normal position.

10.2 MAINTENANCE

Refer to the air system schematic diagram "OPT. FRONT KNEELING WITH REAR HIGH-BUOY COMBINATION" annexed at the end of this Section.

10.3 HIGH-BUOY – PRESSURE REGULATOR

The pressure regulator is located on ceiling of the spare wheel and tire compartment and is accessible through the reclining bumper. This valve should be adjusted to 90 psi (621 kPa).

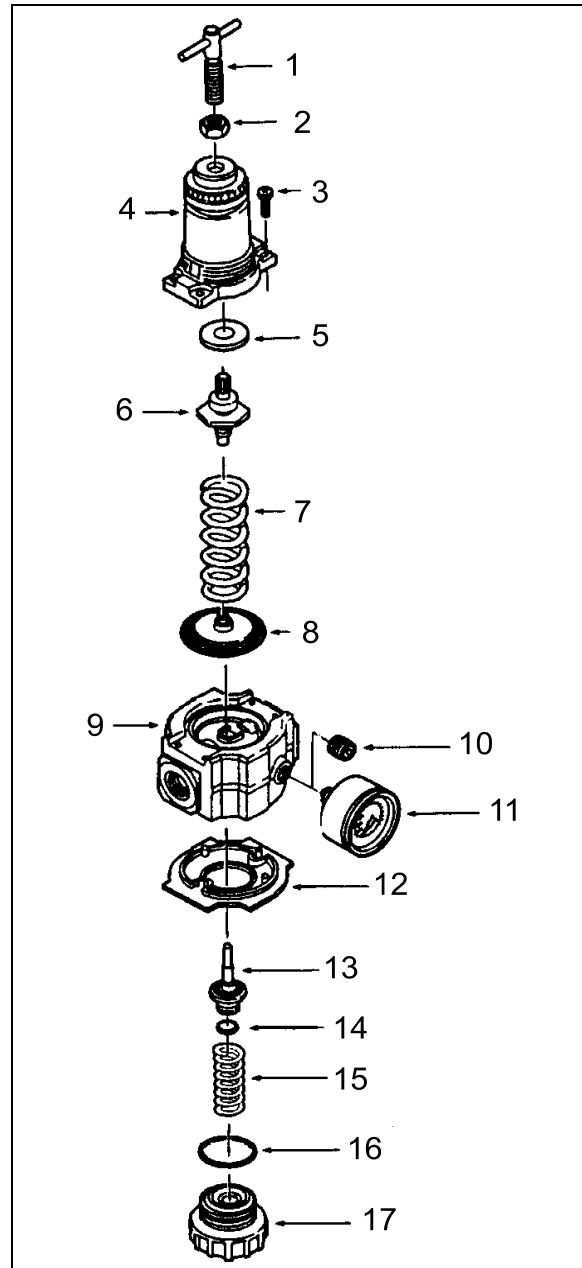


FIGURE 16: AIR PRESSURE REGULATOR

16035

10.3.1 Adjustment

1. Before turning on system air pressure, release jam nut (2, Fig. 16) then turn regulator adjustment handle counter-clockwise until all load is removed from the regulating spring.
2. Turn on system pressure.
3. Turn regulator adjustment handle clockwise until the desired outlet pressure is reached.
4. To avoid minor readjustment after making a change in pressure setting, always

Section 16: SUSPENSION

approach the desired pressure from a lower pressure. When reducing from a higher to a lower setting, first reduce the pressure at a lower pressure, and then increase it to the desired level of pressure.

5. Tighten jam nut (2, Fig. 16) to lock pressure setting.

10.3.2 Disassembly

1. Shut off inlet pressure and reduce pressure in inlet and outlet lines to zero. Turn regulator adjustment handle (1, Fig. 16) counterclockwise until all load is removed from regulating spring. Regulator can be disassembled without removal from air line.
2. Disassemble regulator in accordance with the item numbers on the exploded view.

10.3.3 Cleaning

1. Clean parts with warm water and soap. Dry parts and blow out internal passages in body using clean, dry compressed air.
2. Inspect parts. Replace those found to be damaged.

10.3.4 Reassembly

1. Lubricate O-ring (14 and 16, Fig. 16), valve stem (13, Fig. 13), tip of adjusting screw (1, Fig. 13), and the outer circumference and both sides of the thrust washer (8, Fig. 16) with a light coat of good quality O-ring grease.
2. Assemble the regulator as shown on the exploded view.

Torque Table	
Item	Torque in Lbf-inch (Nm)
3 (Screw)	25-35 (2.8-3.9)
17 (Bottom plug)	20-25 (2.3-2.8)

11. LOW-BUOY SYSTEM

The purpose of the low-buoy system is to lower the whole suspension by about 4" (100 mm) in order to reduce the overall height for low clearances. This system can be put into service during normal vehicle operation.

11.1 PRINCIPLES OF OPERATION

On H3-41 and H3-45 coaches, the rear low-buoy is added over the front kneeling system.

The control valve on the left console panel sends an electric signal from its pressure switch to control the front suspension as if kneeling. It also removes air from a relay valve that exhausts air supply to all leveling valves and the quick release in the rear section. Air from the rear suspension can then be depleted through the check valve-quick release assembly.

DOWN:

The control valve, on the L.H. control panel, cuts off air supply, so air is released from air springs. A relay valve prevents height control valves from supplying air springs.

UP:

The control valve, on the L.H. control panel, supplies air to close the passage between both the delivery and supply ports. A relay valve opens and provides air springs until the suspension reaches the normal ride height.

11.2 MAINTENANCE

Refer to the air system schematic diagram "OPT. FRONT KNEELING WITH REAR LOW-BUOY COMBINATION" annexed at the end of this Section.

12. TROUBLESHOOTING

Condition	Cause	Correction
Bellows deflate over time	<ol style="list-style-type: none"> 1. Defective check valve assembly. 2. Defective exhaust valve assembly. 3. Leak in air line and/or bellows. 4. Defective valve cover, rubber O-rings or gasket. 	<ol style="list-style-type: none"> 1. Replace check valve assembly. 2. Replace exhaust valve assembly. 3. Replace air line or bellows. 4. Replace valve cover, O-rings or gasket.
Bellows raise to full height and fail to exhaust air pressure	<ol style="list-style-type: none"> 1. A clogged exhaust screen in height control valve assembly. 2. A combination clogged exhaust screen and defective air inlet valve assembly. 	<ol style="list-style-type: none"> 1. Remove and clean screen. 2. Clean exhaust screen and replace air inlet valve assembly.
Erratic valve action	<ol style="list-style-type: none"> 1. Dirt or foreign matter in the air valve lever chamber. 2. Defectives valves. 	<ol style="list-style-type: none"> 1. Remove valve cover and blow out dirt. Install cover using new gasket. 2. Overhaul height control valve assembly
Vehicle body fails to level to satisfactory ride height	<ol style="list-style-type: none"> 1. Improper height control valve overtravel lever adjustment 	<ol style="list-style-type: none"> 1. Adjust lever as directed.

13. TORQUE SPECIFICATIONS

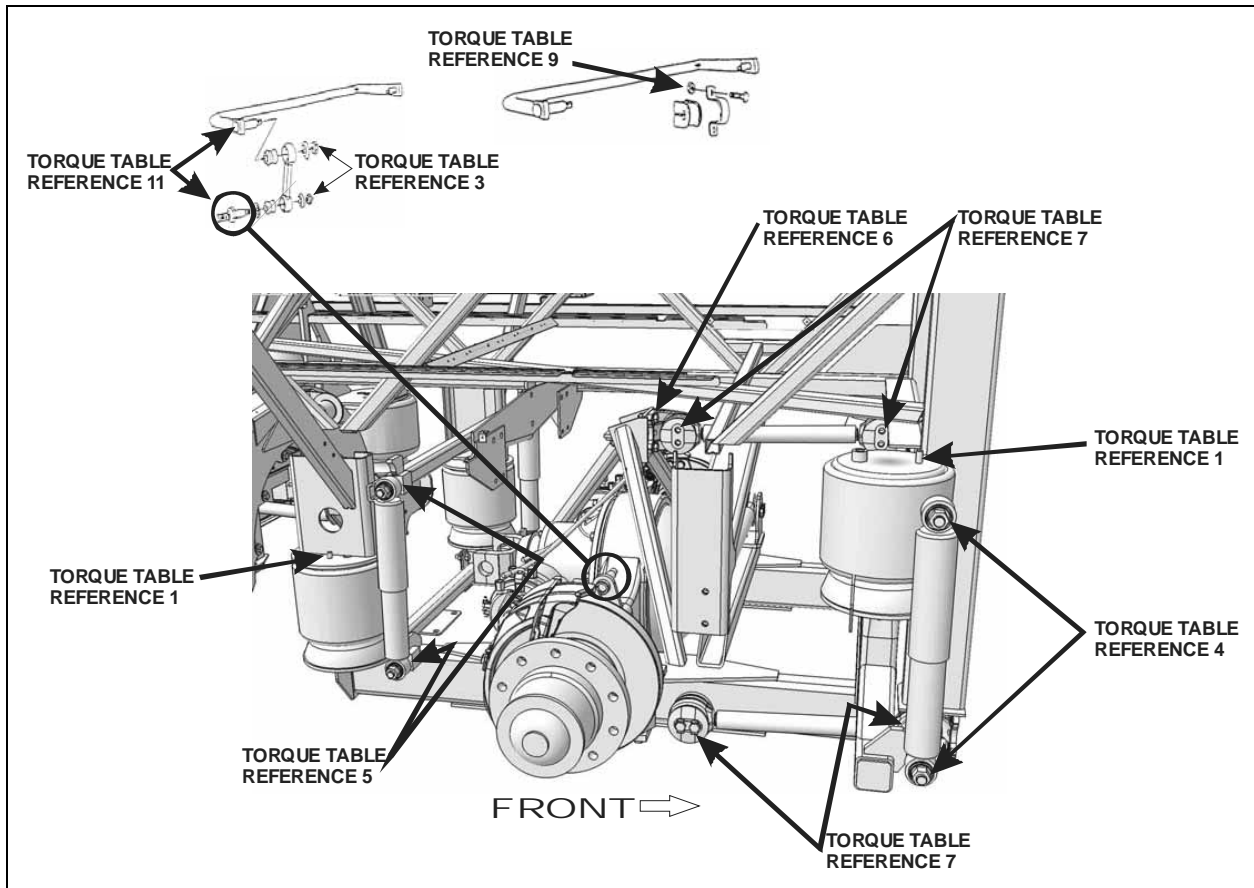


FIGURE 17: TORQUE SPECIFICATIONS – DRIVE AXLE

16158

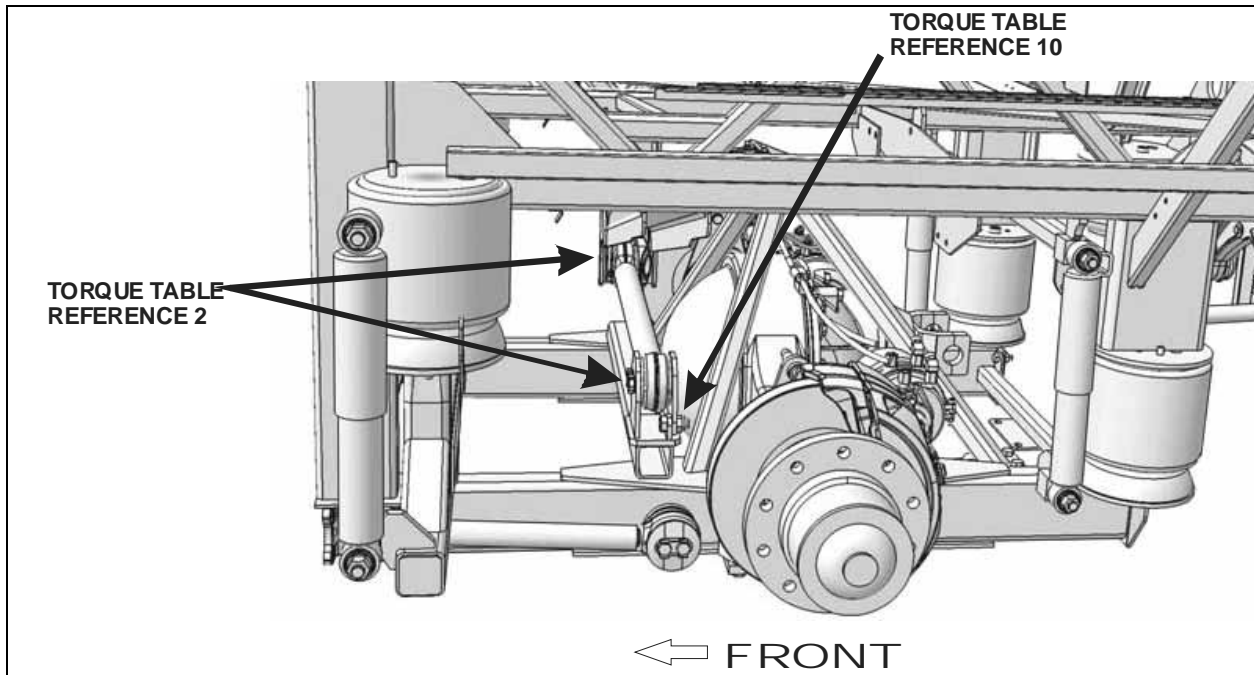


FIGURE 18: TORQUE SPECIFICATIONS – DRIVE AXLE

16159

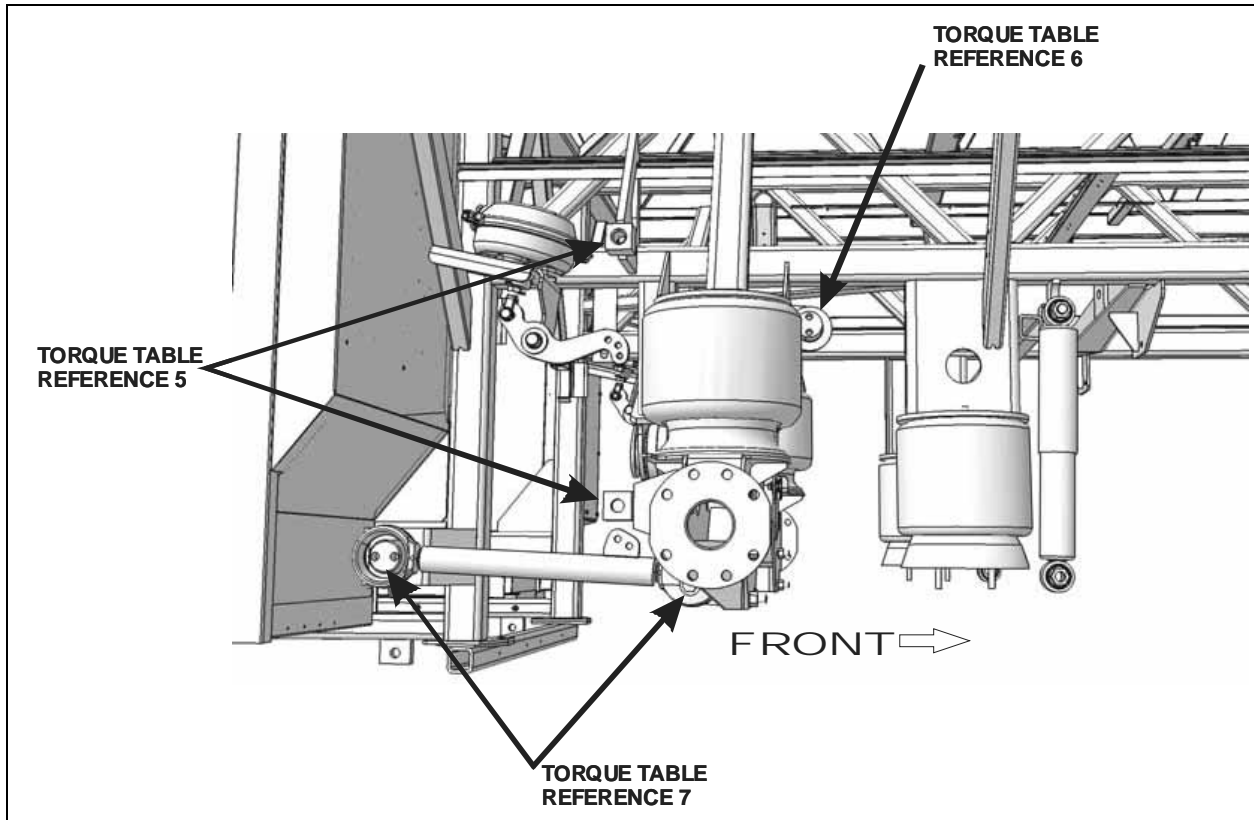


FIGURE 19: TORQUE SPECIFICATIONS – TAG AXLE

16160

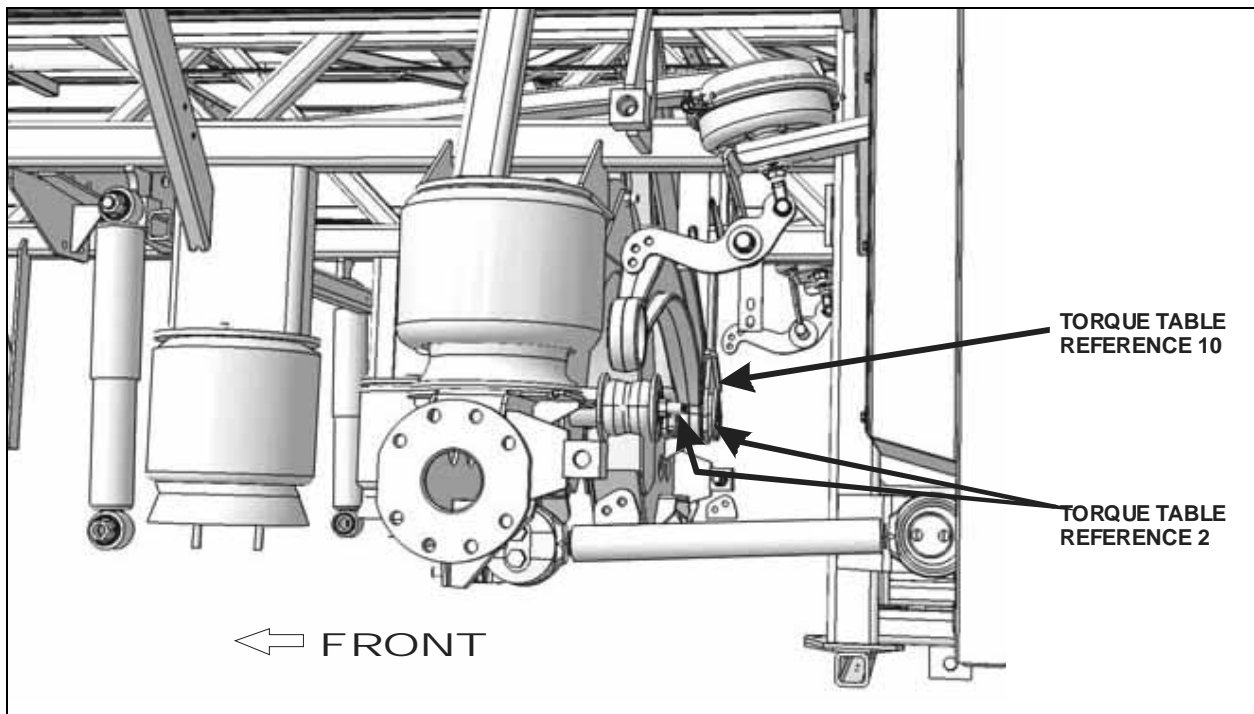


FIGURE 20: TORQUE SPECIFICATIONS – TAG AXLE

16161

Section 16: SUSPENSION

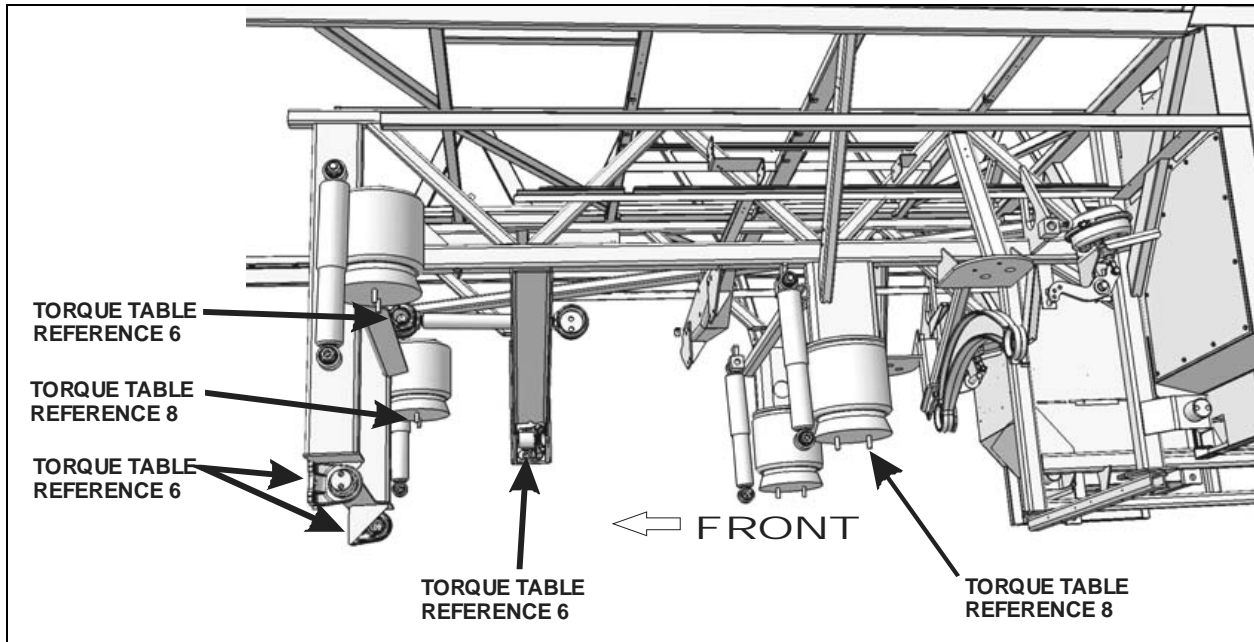


FIGURE 21: TORQUE SPECIFICATIONS – REAR SUBFRAME

16162

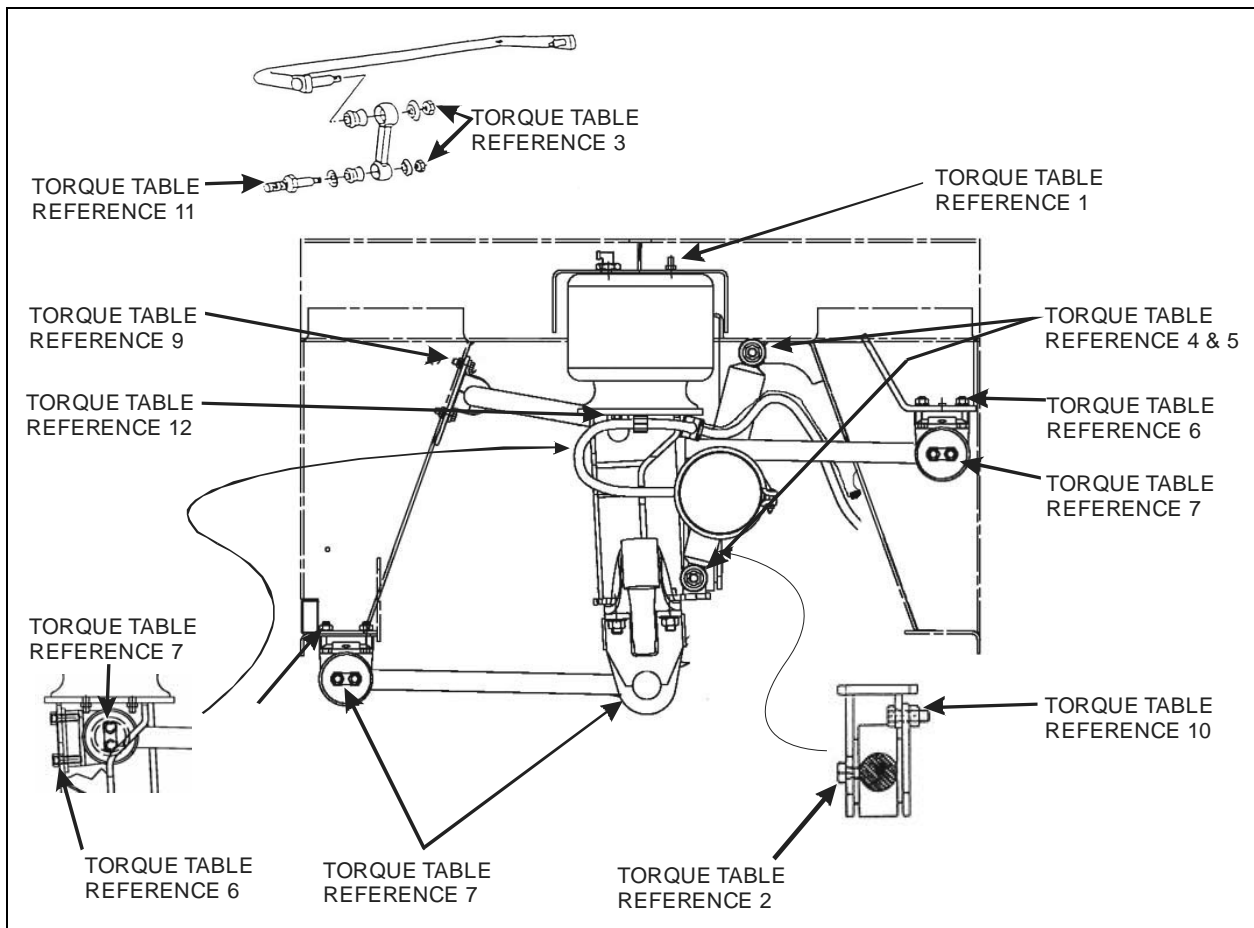


FIGURE 22: TORQUE SPECIFICATIONS – FRONT AXLE

TORQUE TABLE			
DESCRIPTION	REFERENCE	TORQUE (DRY) lbf-ft / Nm	
<i>Air Spring Upper Stud Nut (8 air springs)</i>	1	20-25	27-34
<i>Transversal Radius Rod Retaining Bolts (Tag, drive & front axle)</i>	2	140-155	190-210
<i>Sway Bar Link Upper & Lower Nut</i>	3	70-85	95-115
<i>Shock Absorber Pin Nut (6 shock absorbers)</i>	4	70-85	95-115
<i>Shock Absorber Pin (8 shock absorbers)</i>	5	350-400	475-545
<i>Radius Rod Support Nut/bolt (13 supports)</i>	6	200-220	271-298
<i>Radius Rod Retaining Bolts (10 longitudinal radius rods)</i>	7	140-155	190-210
<i>Air Spring Lower Stud Nut (6 air springs)</i>	8	31-38	42- 51
<i>Sway Bar Bushing Collar Bolt</i>	9	80-100	108-136
<i>Transversal Radius Rod Support Nut (Tag, drive & front axle)</i>	10	250-280	339-380
<i>Sway Bar Link Pin Stud</i>	11	350-400	475-545
<i>Air Spring Lower Stud Nut (2 front axle air springs)</i>	12	20-25	27-34

Note: During assembly, use “Loctite 242” (Prevost No 680038) with item 5 and 19. After assembly, apply “anti-seize compound” (Prevost No 680064) on all threads nuts.

14. PARTS SPECIFICATIONS

Front and tag axle air springs

Make..... Goodyear Tire and Rubber

Model..... 1200

Type Mae West

Nominal diameter 12” (304 mm)

Prevost number 630125

Drive axle air springs

Make..... Goodyear Tire and Rubber

Model..... 1100

Type Double Flare

Nominal diameter 11” (279 mm)

Prevost number 630105

Front axle shock absorbers

Make..... Sachs

Section 16: SUSPENSION

Color..... Black
Type N45X225HA
Ext. Diam.....75 mm
Collapsed length 15.51" (394 mm)
Extended length 24.37" (619 mm)
Prevost number.....630252

Drive and tag axle shock absorbers

Make.....Sachs
Color..... Black
Type N45X225HA
Ext. Diam.....75 mm
Collapsed length 15.51" (394 mm)
Extended length 24.37" (619 mm)
Prevost number.....630253

Height control valve (VIP, front only)

Make..... Barksdale
Quantity used 1
Prevost number.....630157

Height control valve (coach, all axles & VIP, rear only)

Make..... Barksdale
Quantity 2 or 3
Prevost number.....630156

Bellows control and exhaust solenoid valve assembly

Make..... Norgren

Solenoid valve manifold

Prevost number.....641130

Coil

Voltage 24 V DC
Current draw 29 amperes
Prevost number.....641144

Valve (3 way, 2 positions)

Type N/C
Supplier number 411-C-456235W
Prevost number.....641357

Type N/O
Prevost number641356

Radius rod bushing

Make..... Prevost
Prevost number630021

Loctite

Make..... Loctite
Prevost number680039

Sway bar bushing (Front Axle)

Make..... Prevost
Prevost number131355

Sway bar bushing (Drive Axle)

Make..... Prevost
Prevost number130953

Sway bar link bushings

Prevost number506678

Shock absorber bushings

Make..... Monroe
Prevost number630062

High-Buoy Pressure regulator

Make..... Norgren
Recommended pressure setting 90 psi (621 kPa)
Prevost number641352

SECTION 16: VIP EQUIPPED WITH INDEPENDENT FRONT SUSPENSION (IFS)

CONTENTS

1. INTRODUCTION	4
2. STEERING LINKAGE	4
2.1 POWER STEERING HYDRAULIC PUMP	7
2.2 STEERING LINKAGE ADJUSTMENT	7
2.3 PITMAN ARM REMOVAL	7
2.4 PITMAN ARM INSTALLATION	7
2.5 DRAG LINK	8
2.5.1 <i>Adjustment</i>	8
2.6 BELL CRANK AND IDLER ARM	8
2.6.1 <i>Bell Crank and Idler Arm Removal</i>	8
2.6.2 <i>Bell crank or Idler Arm Ball Joint Disassembly</i>	9
2.6.3 <i>Bell Crank or Idler Arm Ball Joint Reassembly</i>	9
2.7 RELAY ROD	10
2.7.1 <i>Replacement</i>	10
2.8 TIE RODS	10
2.8.1 <i>Removal</i>	10
2.8.2 <i>Installation</i>	11
2.9 STEERING ARMS	11
2.9.1 <i>Removal</i>	11
2.9.2 <i>Installation</i>	11
2.10 LUBRICATION FITTINGS.....	11
3. BALL JOINTS	13
4. LOWER AND UPPER A-ARM BALL JOINT.....	13
4.1 INSPECTION.....	13
4.2 STRIPPING DOWN	13
4.3 ASSEMBLY.....	13
5. LOWER A- ARM CENTRAL BALL JOINT.....	14
5.1 INSPECTION.....	14
5.2 STRIPPING DOWN	14
5.3 ASSEMBLY.....	14
6. UPPER A-ARM CENTRAL BALL JOINT.....	15
6.1 VISUAL INSPECTION	15
6.2 PLAY MEASUREMENT	15
7. FRONT END ALIGNMENT	15
7.1 ALIGNMENT TERMINOLOGY	16
7.2 FRONT END INSPECTION	16
7.3 FRONT WHEEL CAMBER.....	17
7.4 FRONT WHEEL TOE-IN	17
7.4.1 <i>Toe-In Check</i>	17
7.4.2 <i>Toe-In Adjustment</i>	17
7.5 FRONT AXLE CASTER.....	17
7.6 MAJOR DAMAGE	17
8. FRONT AIR SPRINGS	19
8.1 INSPECTION.....	19

Section 16: VIP EQUIPPED WITH INDEPENDENT FRONT SUSPENSION (IFS)

8.2	REMOVAL	19
8.3	INSTALLATION	19
9.	SHOCK ABSORBERS.....	20
9.1	SHOCK ABSORBER REMOVAL	20
9.2	SHOCK ABSORBER INSTALLATION	21
10.	SWAY BAR.....	21
10.1	REMOVAL	21
11.	INDEPENDENT FRONT SUSPENSION ADJUSTMENT	23
12.	SUSPENSION HEIGHT ADJUSTMENT	23
13.	HEIGHT CONTROL VALVE.....	16(VIP)-24
13.1	LOADING POSITION	24
13.2	NEUTRAL POSITION.....	24
13.3	UNLOADING POSITION	24
13.4	MAINTENANCE	24
13.5	REMOVAL AND INSTALLATION.....	24
14.	"LEVEL-LOW" LEVELING SYSTEM.....	25
14.1	PRINCIPLES OF OPERATION	25
14.2	MAINTENANCE	25
15.	AIR SYSTEM	25
15.1	AIR TANK MAINTENANCE	26
15.1.1	<i>Wet Air Tank.....</i>	<i>26</i>
15.1.2	<i>Primary Air Tank.....</i>	<i>26</i>
15.1.3	<i>Secondary Air Tank.....</i>	<i>26</i>
15.1.4	<i>Accessory Air Tank</i>	<i>27</i>
15.1.5	<i>Expansion Air Tank</i>	<i>27</i>
15.2	EMERGENCY FILL VALVES	27
16.	HUB UNIT AND SWIVEL ASSEMBLY	27
17.	TORQUE TABLE	28
18.	SPECIFICATIONS	30

ILLUSTRATIONS

FIGURE 1: SUSPENSION AND STEERING LINKAGE..... 4
FIGURE 2: LOCATION OF CLAMPS 5
FIGURE 3: TORQUE SPECIFICATIONS 6
FIGURE 4: TORQUE SPECIFICATIONS 6
FIGURE 5: TORQUE SPECIFICATIONS 6
FIGURE 6: TORQUE SPECIFICATIONS 6
FIGURE 7: CLAMP POSITIONING..... 6
FIGURE 8: TORQUE SPECIFICATIONS 6
FIGURE 9: PITMAN ARM ALIGNMENT..... 7
FIGURE 10: TORQUE SPECIFICATIONS 7
FIGURE 11: FIXING NUT PUNCH MARK..... 8
FIGURE 12: TORQUE SPECIFICATION 8
FIGURE 13: BELL CRANK AND IDLER ARM..... 9
FIGURE 14: BELL CRANK 10
FIGURE 15: BELL CRANK 10
FIGURE 16: LUBRICATION FITTINGS' LOCATION DIAGRAM..... 12
FIGURE 17: BALL JOINTS LOCATION..... 13
FIGURE 18: A-ARM BALL JOINT..... 13
FIGURE 19: LOWER A-ARM BALL JOINTS 14
FIGURE 20: UPPER A-ARM BALL JOINTS 14
FIGURE 21: LOWER A-ARM CENTRAL BALL JOINT 15
FIGURE 22: UPPER A-ARM CENTRAL BALL JOINT..... 15
FIGURE 23: STEERING LINKAGE MEASURE 16
FIGURE 24: FRONT END ALIGNMENT DIAGRAM..... 18
FIGURE 25: AIR SPRINGS..... 19
FIGURE 26: AIR SPRING AND SHOCK ABSORBER 20
FIGURE 27: SHOCK ABSORBER 21
FIGURE 28: SWAY BAR (FRONT SUSPENSION) 22
FIGURE 29: HEIGHT CONTROL VALVE LOCATION..... 23
FIGURE 30: TYPICAL AIR SPRING CLEARANCE 24
FIGURE 31: FRONT HEIGHT CONTROL VALVE..... 24
FIGURE 32: LOCATION OF AIR TANKS..... 26
FIGURE 33: REAR VALVE LOCATION 26
FIGURE 34: FRONT VALVE LOCATION..... 27
FIGURE 35: TORQUE SPECIFICATIONS 29

Section 16: VIP EQUIPPED WITH INDEPENDENT FRONT SUSPENSION (IFS)

1. INTRODUCTION

This supplement contains service procedures and specifications that apply to the PREVOST VIP coach shell vehicles equipped with an independent front suspension.

This text contains information unique to the independent suspension system. In the case you cannot find information on a subject in this supplement section, the information given in the regular sections of the Maintenance Manual will apply.

2. STEERING LINKAGE

Turning motion of the steering wheel is transferred by the steering gear and steering linkage to the steering arms at the right and left front wheels. The steering linkage consists of tie rods connected to the bell crank and the steering arm at the left side of the coach, and to the idler arm and steering arm at the right side of the coach. The bell crank and idler arm are

connected by a relay rod. A drag link connected to the bell crank and the pitman arm, which is mounted to the steering gear, transfers the turning motion of the steering wheel to the steering arms. The hydraulic power cylinder provides an added source of assistance and being connected to the R.H. wheel, makes it such that the total steering forces are produced with minimal stress on mechanical linkages (Fig. 1).

Lower and upper A-arms are widely spaced. They are mounted on ball joints. Torque rods prevent rotation of the uprights around the lower and upper ball joints.

If the steering linkage is bent, twisted or worn, steering action of the coach will be seriously affected. Any time steering linkage components are replaced or adjusted, steering geometry and front wheel alignment must be checked as explained in this section of supplement.

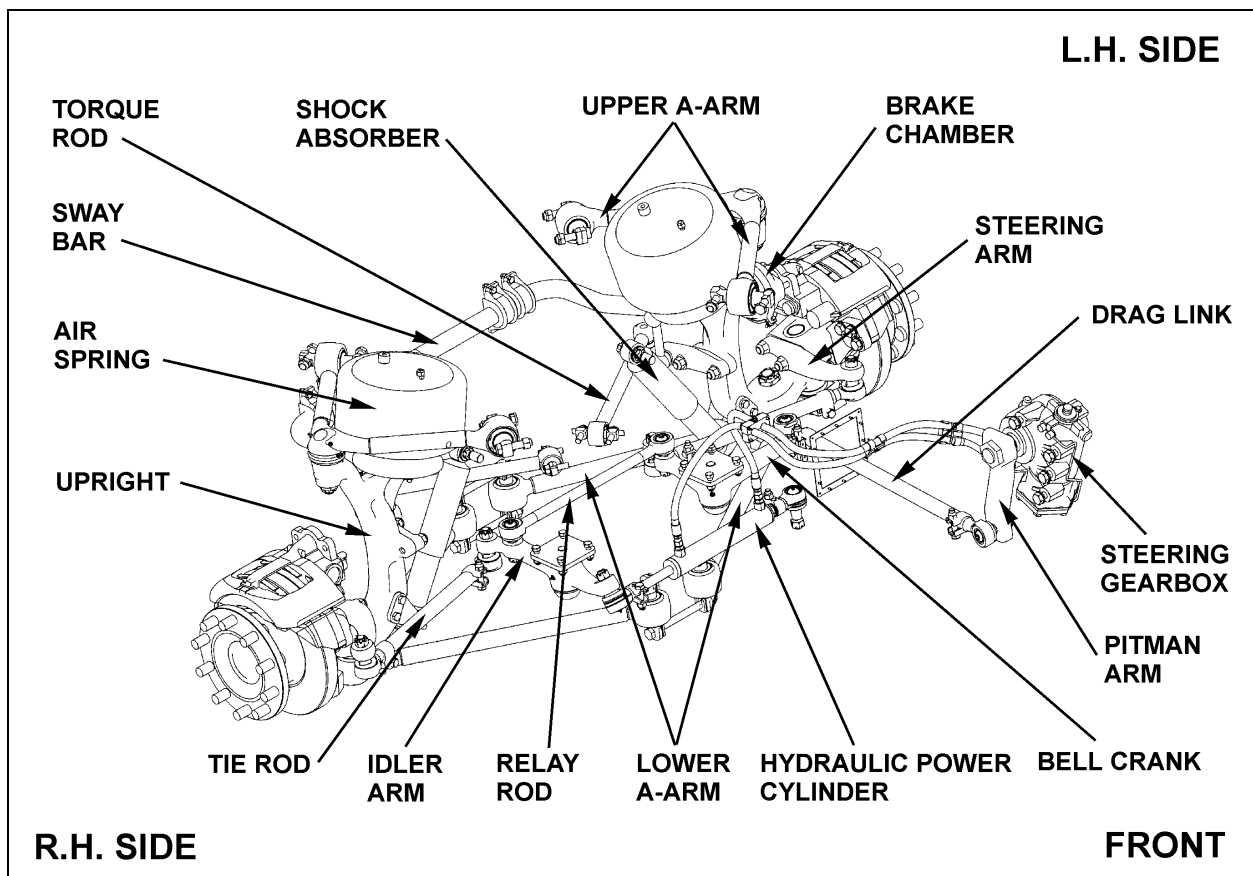


FIGURE 1: SUSPENSION AND STEERING LINKAGE

16124

Turning Angle

The maximum turning angle is set mechanically through the two steering stop screws installed on the swivel assembly. The turning angle ($56^{\circ} + 0^{\circ} - 1^{\circ}$) mechanical stop is factory adjusted to accommodate the chassis design, and therefore, does not require adjustment on new vehicles.

However, turning angle should be checked and adjusted hydraulically, if necessary, any time a component of the steering system is repaired, disassembled or adjusted.

Before checking the turning angle, be sure the front end is properly aligned as described under paragraph "4. Front End Alignment" in this supplement.

To check steering maximum turning angle, proceed with the following method:

1. Check if front tires rub against the frame or if the steering gear has been serviced.

Caution: If clamps are not correctly installed, they can interfere with other parts.

2. For a full left and right turn, check clamps' position and for interfering parts. Refer to figures 2 to 6 for location and positioning of clamps. If readjustment is required, make the proper adjustment.

Note: Prior to steering limiter adjustment, verify vehicle wheel alignment, and ensure that oil level is adequate and that air bleeding is done.

3. If necessary readjust steering limiter. Refer to "ZF-SERVOCOM Repair Manual" annexed to Maintenance Manual, Section 14, "Steering", under heading: "Setting and Functional Test".

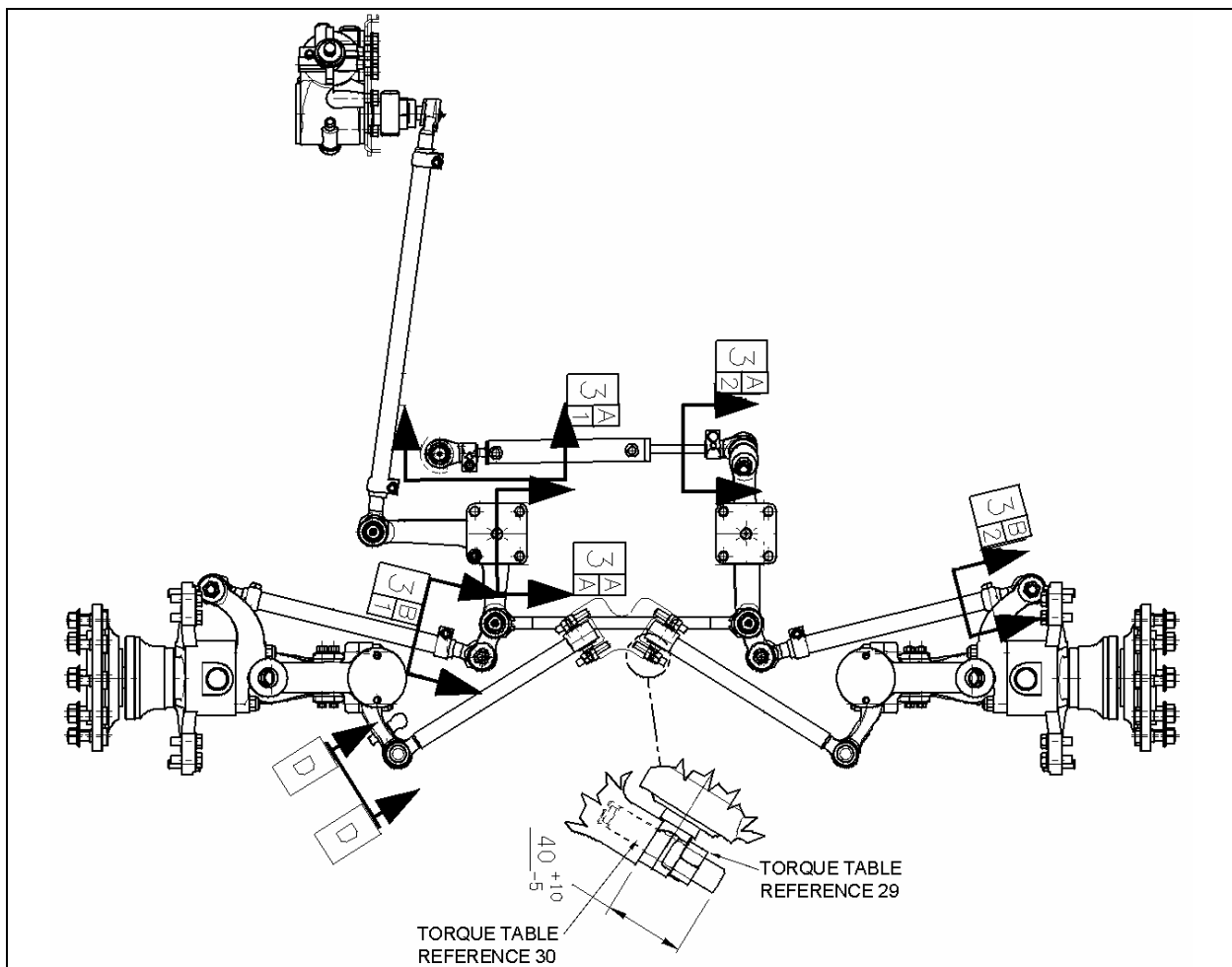


FIGURE 2: LOCATION OF CLAMPS
16147

Section 16: VIP EQUIPPED WITH INDEPENDENT FRONT SUSPENSION (IFS)

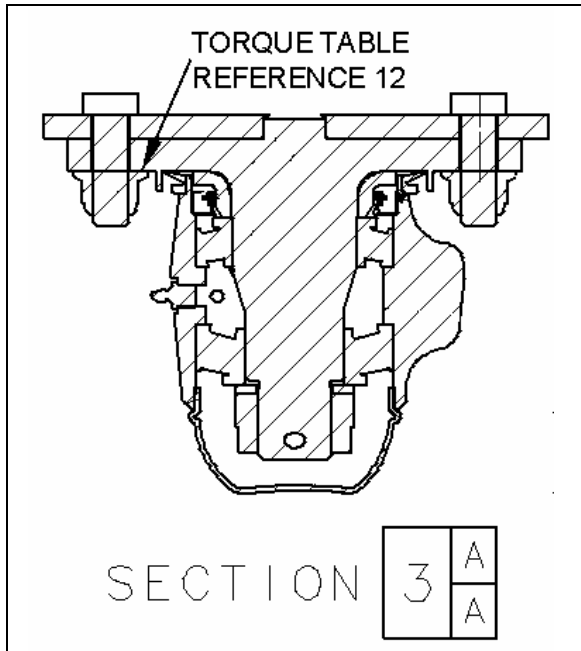


FIGURE 3: TORQUE SPECIFICATIONS

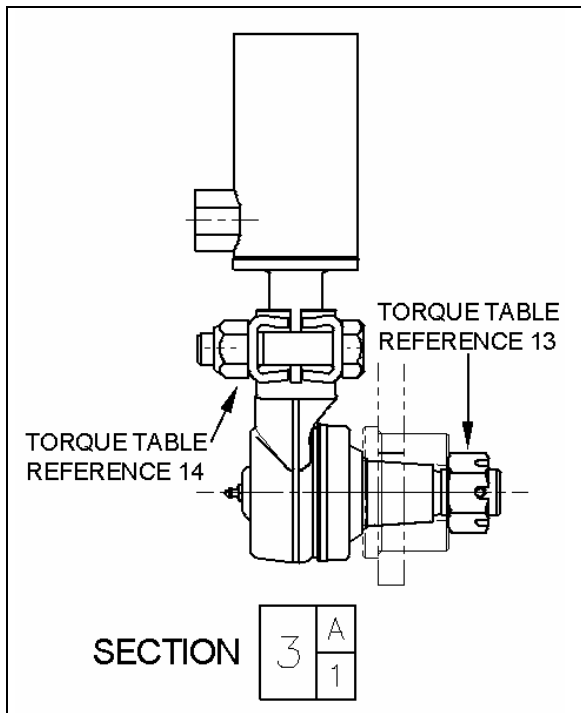


FIGURE 4: TORQUE SPECIFICATIONS
16152

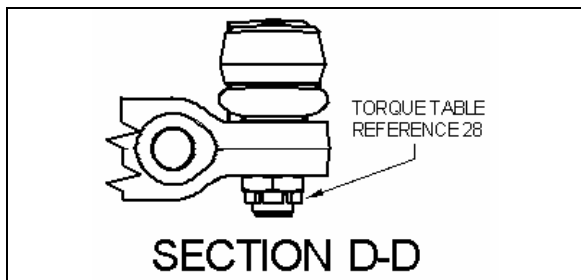


FIGURE 5: TORQUE SPECIFICATIONS

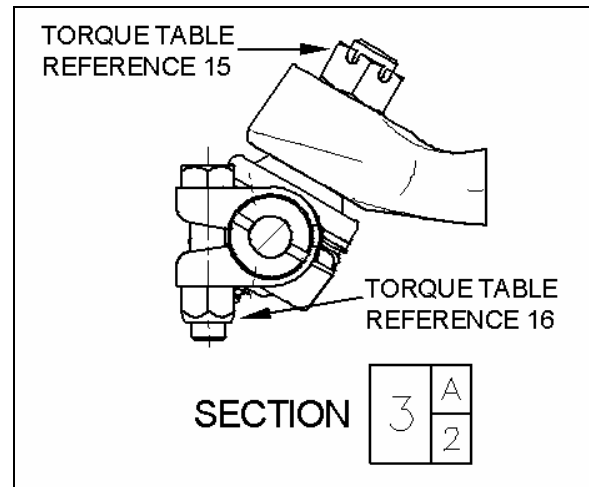


FIGURE 6: TORQUE SPECIFICATIONS
16149

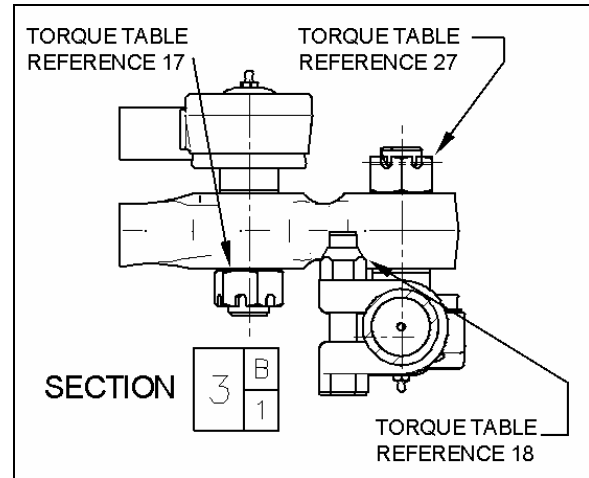


FIGURE 7: CLAMP POSITIONING

16150

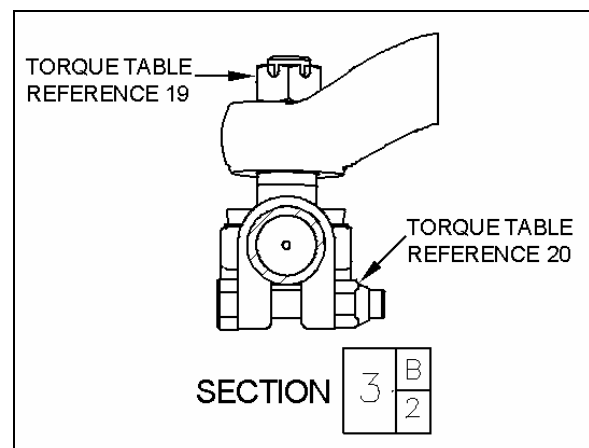


FIGURE 8: TORQUE SPECIFICATIONS

16151

2.1 POWER STEERING HYDRAULIC PUMP

Refer to the "TRW Power Steering Pump Service Manual" annexed at the end of Section 14.

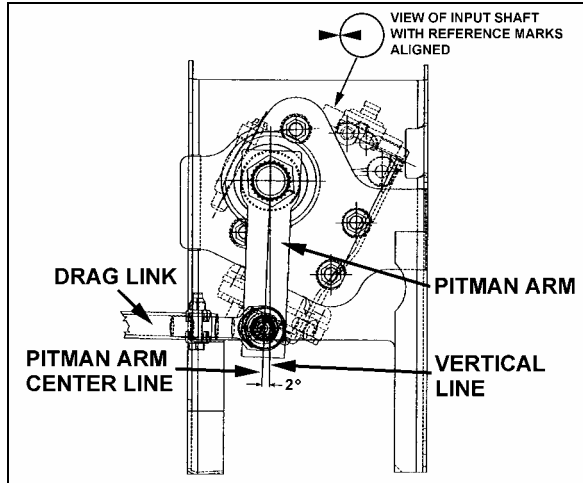


FIGURE 9: PITMAN ARM ALIGNMENT

14056

2.2 STEERING LINKAGE ADJUSTMENT

Note: Whenever a steering linkage component has been removed and replaced, check steering geometry and front end alignment as directed in this Supplement. Check to insure that all stud nuts and mounting bolts and nuts have been tightened to proper torques listed under "16. Torque Table" at the end of this supplement.

1. First, align the input shaft marks.
2. Afterwards, the pitman arm should be adjusted with reference mark aligned or to an angle of 2° in relation with the vertical axis (Fig. 9).
3. Locate centerline of vehicle then install relay rod in boss at steering bell crank and idler arm. Align center of relay rod with centerline of vehicle.
4. Install drag link to pitman arm and adjust opposite end of drag link to fit mounting stud hole in bell crank.
5. Install tie rods then adjust toe-in as per "Front End Alignment" in this Supplement.

2.3 PITMAN ARM REMOVAL

1. Remove cotter pin, nut and washer from drag link ball stud at pitman arm.
2. Disconnect drag link from pitman arm, using jaw style pullers (pressure screw type).

Warning: Always wear approved eye protection when operating pullers.

Caution: Do not drive pitman arm on or off pitman shaft as this can damage the steering gear.

Caution: Heating of components to aid in disassembly is not allowed because it has a detrimental effect on axle components and steering linkages.

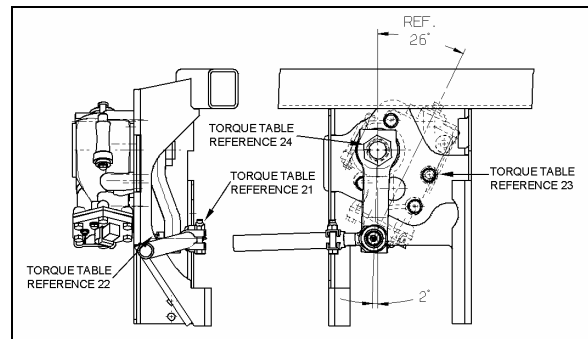


FIGURE 10: TORQUE SPECIFICATIONS

16154

3. Remove pitman arm fixing nut.
4. Check the radial position of the pitman arm in relation to the sector shaft prior to removal of pitman arm.
5. Add reference marks to the arm and shaft if necessary to ensure correct alignment at reassembly.
6. Use a puller to remove pitman arm.

2.4 PITMAN ARM INSTALLATION

1. Position pitman arm on sector gear shaft with reference marks aligned.
2. Install fixing nut. Tighten nut to 470-570 lbf-ft dry (637-773 Nm).

Note: Use a new nut if the previously removed nut was punched.

Caution: Lock nut with sector shaft using a punch mark into the groove (Refer to figure 11).

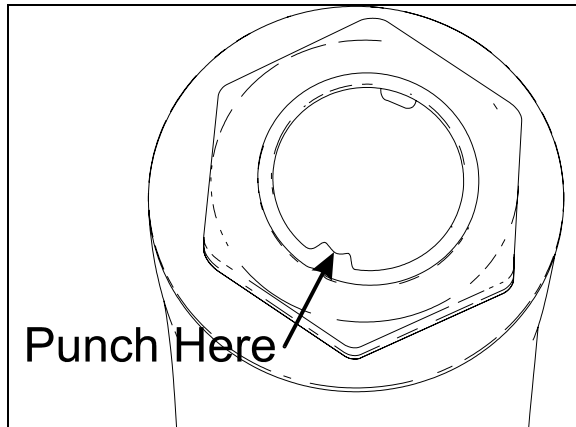


FIGURE 11: FIXING NUT PUNCH MARK 16098

3. Connect drag link to pitman arm. Install washers. Tighten nut to 150-200 lbf-ft dry (203-271 Nm). Advance nut to next alignment cotter pin slot and install a new cotter pin.

2.5 DRAG LINK

Drag link assembly consists of three parts; a drag link and two end assemblies. Both end assemblies are identical and they are retained on the drag link with a clamp bolt and nut.

Stud nuts at the pitman arm and bell crank ends of the drag link must be kept tight or hole at ball stud end of drag link and hole in pitman arm may become enlarged as a result of excessive looseness. Subsequent tightening of stud nuts may draw studs too far into holes and dust cover parts may become damaged which can result in component failure.

Drag link end sockets are equipped with lubrication fittings and should be lubricated as directed in "Lubrication Fittings" in this supplement.

2.5.1 Adjustment

It should not be necessary to alter the length of the drag link except when a new link is installed or when removable end assembly has been replaced. If drag link adjustment is necessary, proceed as follows:

1. Position front wheels in straight ahead position.
2. Center steering gear as previously explained in paragraph "2.2 Steering Linkage Adjustment".
3. Remove cotter pin, nut and stud from drag link at bell crank. Locate centerline of vehicle and center of relay rod. With center

of relay rod aligned with centerline of vehicle, loosen clamp bolt at socket end (bell crank end) of drag link and adjust length of socket end assembly to fit in boss of bell crank.

Note: Do not change position of pitman arm.

4. Install stud with nut and torque to 150-200 lbf-ft dry (203-271 Nm). Align nut with cotter pin slot (tighten) and install a new cotter pin.
5. Torque mounting clamp bolt nut to 40-60 lbf-ft dry (54-82 Nm), then test the adjustment. Front wheels should turn from right to left extremities without noticeable binding at drag link ends.

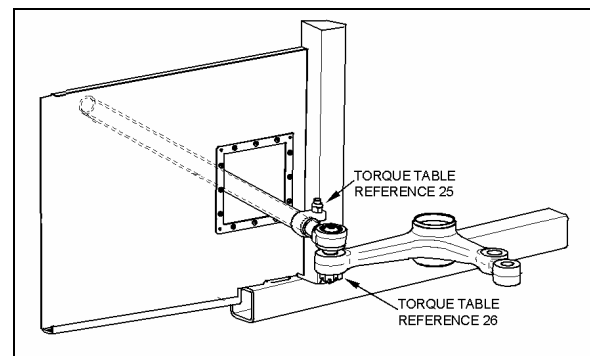


FIGURE 12: TORQUE SPECIFICATION

2.6 BELL CRANK AND IDLER ARM

Bell crank and idler arm are equipped with one lubrication fitting and should be lubricated as directed in paragraph "2.10 Lubrication Fittings" at the end of this Supplement.

2.6.1 Bell Crank and Idler Arm Removal

Note: Use a piece of wire to anchor loosen end of relay rod and tie rod in order to prevent placing an excessive load on opposite socket end.

Bell crank: Disconnect drag link, tie rod and relay rod from bell crank by removing cotter pins and nuts from ball studs. Separate socket assemblies from the bell crank.

Idler arm: Remove cotter pins and nuts from ball studs connecting relay rod, tie rod and hydraulic power cylinder to idler arm. Separate socket assemblies from idler arm.

Remove nuts from bolts attaching bell crank or idler arm mounting spindle to suspension subframe. Remove bell crank or idler arm mounting spindle.

Section 16: VIP EQUIPPED WITH INDEPENDENT FRONT SUSPENSION (IFS)

2.6.2 Bell crank or Idler Arm Ball Joint Disassembly

1. Remove adjacent link assemblies from bell crank or idler arm as previously described.
2. Remove the cap (Fig. 13).
3. Remove the cotter pin, nut and thrust washer. Remove bearings, grease retainer, backup ring and the bell crank or idler arm from its mounting spindle (Fig. 13).

2.6.3 Bell Crank or Idler Arm Ball Joint Reassembly

Note: For bearing installation use tool Prevost # 110684.

1. Install backup ring on bell crank or idler arm mounting spindle.

2. Install grease retainer and bearing in bell crank or idler arm eye (Fig. 13).

Note: Install grease retainer according to figure 13. Grease must be able to exit the bell crank or idler arm mechanism. For grease retainer installation use tool Prevost # 110683.

3. Install bell crank or idler arm onto its mounting spindle, while holding the bell crank or idler arm, slide on the bearing assembly, thrust washer and secure using nut. (Fig. 14).

Note: Apply grease on bearing before installation.

4. Unscrew nut until bell crank or idler arm starts to turn by the application of 1 to 3 pounds load (Fig. 15).

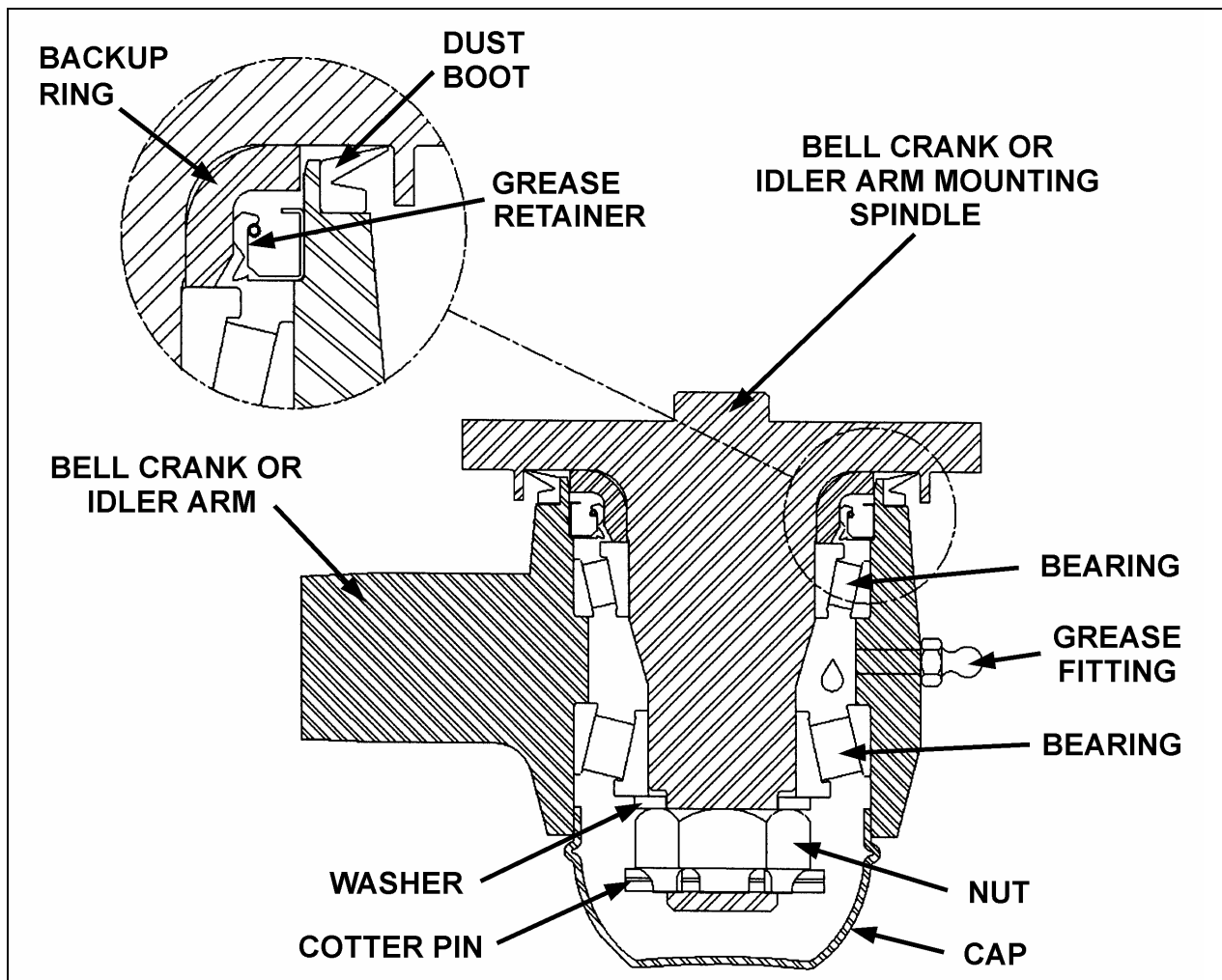


FIGURE 13: BELL CRANK AND IDLER ARM

16109

Section 16: VIP EQUIPPED WITH INDEPENDENT FRONT SUSPENSION (IFS)

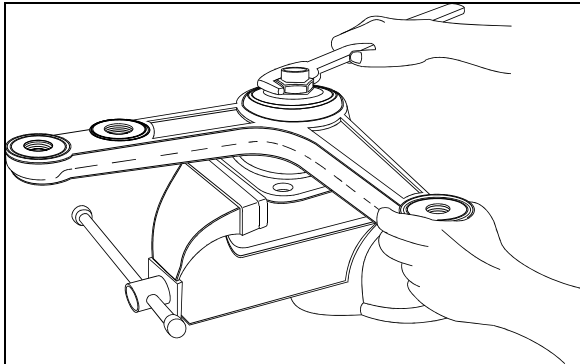


FIGURE 14: BELL CRANK

16044

5. Check for loose bearings by applying an up and down load on bell crank or idler lever. The lever is not supposed to move in the vertical axis direction.

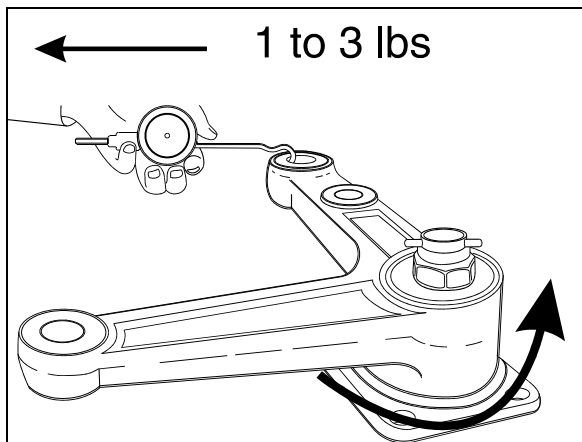


FIGURE 15: BELL CRANK

16045

6. Align nut with cotter pin slot (tighten) and install a new cotter pin.

Note: Bend cotter pin around the nut (Fig. 13). Do not bend the cotter pin in the direction of the cap, because it may interfere with the cap.

7. Install the cap.
8. **Bell crank:** Install drag link, tie rod and relay rod as directed herein under each specific subject.
9. **Idler arm:** Install hydraulic power cylinder, tie rod and relay rod as directed herein under each specific subject.
10. Adjust turning angle as previously directed under paragraph "**Turning Angle**" and check front end alignment as specified in paragraph "7. Front End Alignment" of this supplement.

2.7 RELAY ROD

Relay rod ends are equipped with lubrication fittings and should be lubricated as directed in

paragraph "2.10 Lubrication Fittings" in this supplement.

Note: The relay rod is crimped in place and it is not possible to remove the ball joints.

2.7.1 Replacement

1. Remove cotter pins from bell crank and idler arm end of relay rod. Loosen nuts flush with end of studs.
2. Use a puller or place a sledge hammer behind the adjacent part to absorb shocks. Strike the studs with a brass hammer to loosen end assemblies.
3. Remove stud nuts then remove studs.
4. Position new relay rod studs into bell crank and idler arm then tap stud ends with a brass hammer to seat tapered surfaces.
5. Install stud nuts. Tighten nuts to 150-200 lb-ft dry (203-271 Nm) torque. Align cotter pin slot (tighten) and install a new cotter pin.

2.8 TIE RODS

Tie rod ends are connected to the bell crank and left steering arm, and to the idler arm and right steering arm. Each tie rod assembly consists of three parts; a tube and two socket end assemblies. The tie rod ends are threaded into the tube and secured with clamp bolts. Right and left hand threads are provided to ease toe-in adjustment. Tie rod assemblies are interchangeable from the right to the left side of the coach.

Tie rod end sockets require no maintenance other than periodic lubrication and inspection to see that ball studs are tight. Replace socket ends when there is excessive up and down motion, lost motion or end play at ball end of stud.

1. Periodically check bolt nut for tightness.
2. Inspect tie rod for bent condition and inspect tube for damaged threads. If tie rod is bent or threads are damaged, replace the assembly.
3. Lubricate tie rod end fittings as directed in paragraph "2.10 Lubrication Fittings" in this section.

2.8.1 Removal

1. Remove cotter pins and stud nuts which attach tie rod socket ends to bell crank and

left steering arm (or idler arm) and right steering arm.

2. Remove tie rod ball stud by tapping on steering arm and bell crank or idler arm with hammer, while using a sledge hammer to absorb shocks.

Note: *If tie rod end assemblies are damaged in any way, they must be replaced.*

2.8.2 Installation

1. Install socket end assemblies on tie rod. Be sure both ends are threaded an equal distance into the tube.
2. Make sure threads on stud and in stud nut are clean and not damaged.
3. Position ball studs (socket ends of tie rod) in holes in steering arm and bell crank or idler arm. Install a ball stud nut on each stud and tighten firmly.
4. Torque stud nuts to 150-200 lbf-ft dry (203-271 Nm). Align cotter pin slot (tighten) and install a new cotter pin.

Note: *Adjust toe-in as directed in paragraph "7.4.2 Toe-In Adjustment" of this supplement.*

5. Make sure tie rod ends are properly aligned with ball studs, then torque tie rod end clamp bolts to 40-60 lbf-ft (55-80 Nm).

Note: *If tie rod is not properly aligned with stud, binding will result.*

2.9 STEERING ARMS

The left and right wheel steering arms are secured to a steering knuckle at one end and to a tie rod at the other end.

2.9.1 Removal

1. Remove wheel as directed in Section 13, "Wheel, Hubs And Tires" of the maintenance manual.
2. Remove cotter pin and nut from stud securing tie rod to steering arm. Remove ball stud from steering arm by tapping on arm with a hammer, placing a sledge hammer underneath steering arm to absorb shocks.
3. Remove bolts securing steering arm to steering knuckle assembly. Remove steering arm from steering knuckle.

2.9.2 Installation

1. Install steering arm onto steering knuckle.
2. Torque steering arm to steering knuckle fixing bolts. Torque short bolt (M20 X 65) to 520-575 lbf-ft (705-780 Nm). Torque long bolt (M24 X 100) to 751-830 lbf-ft (1018-1125 Nm).
3. Position tie rod ball stud in steering arm and tap with a brass hammer to seat ball stud in steering arm. Install nut on stud. Torque nut to 150-200 lbf-ft dry (203-271 Nm). Tighten nut to nearest cotter pin slot and install a new cotter pin.
4. Install wheel as directed in Section 13, "Wheel, Hubs And Tires" under paragraph "3.2 Installation" of the maintenance manual.

2.10 LUBRICATION FITTINGS

All lubrication fittings must be clean before applying lubricant. Also, always be sure equipment used in applying lubricant is clean. Every precaution should be taken to prevent entry of dirt, grit, lint or other foreign matter into lubricant containers. Replace fitting when they become broken or damaged.

Intervals of application given in the following paragraphs are recommended for normal service. More frequent intervals may be applied under severe operating conditions. In selecting proper lubricants, supplier reputation must be considered. The supplier must be responsible for product quality. The diagram (Fig. 16) shows approximate location of steering lubrication fittings.

1. **Drag Link Ends:** Lubricate at two fittings, one at each end of link, every 6,250 miles (10 000 km) with good quality lithium-base grease NLGI No. 2 (Shell Retinax LX or equivalent).
2. **Relay Rod Ends:** Lubricate at two fittings, one at each end of rod, every 6,250 miles (10 000 km) with good quality lithium-base grease NLGI No. 2 (Shell Retinax LX or equivalent).
3. **Tie Rod Ends:** Lubricate at four fittings, one at each end of both tie rods, every 6,250 miles (10 000 km) with good quality lithium-base grease NLGI No. 2 (Shell Retinax LX or equivalent).
4. **Swivel Assembly:** Refer to DANA SPICER MAINTENANCE MANUAL NDS AXLES

Section 16: VIP EQUIPPED WITH INDEPENDENT FRONT SUSPENSION (IFS)

Lubrication and Maintenance" annexed at the end of section 10.

5. **Idler Arm and Crank bell:** Lubricate at two fittings, one on the idler arm and the other on the crank bell, every 6,250 miles (10 000 km) with good quality lithium-base grease NLGI No. 2 (Shell Retinax LX or equivalent). Apply grease gun pressure to the fitting until lubricant appears at the top seal.

6. **Upper A-Arm Central Ball Joint:** Lubricate at fitting until you see some grease on the relief valve nearby, every 6,250 miles (10 000 km) with good quality lithium-base grease NLGI No. 2 (Shell Retinax LX or equivalent).

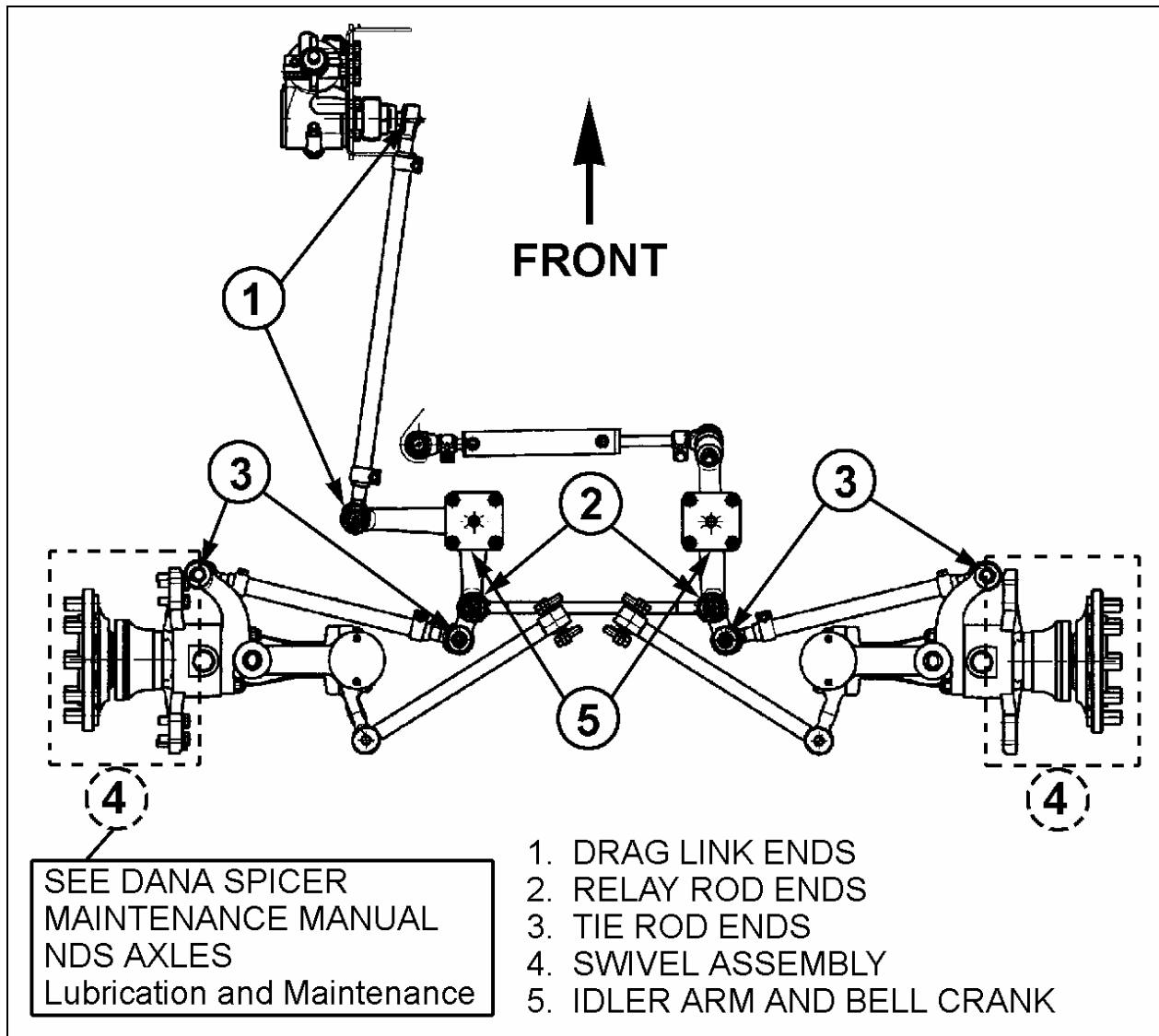


FIGURE 16: LUBRICATION FITTINGS' LOCATION DIAGRAM

16046

3. BALL JOINTS

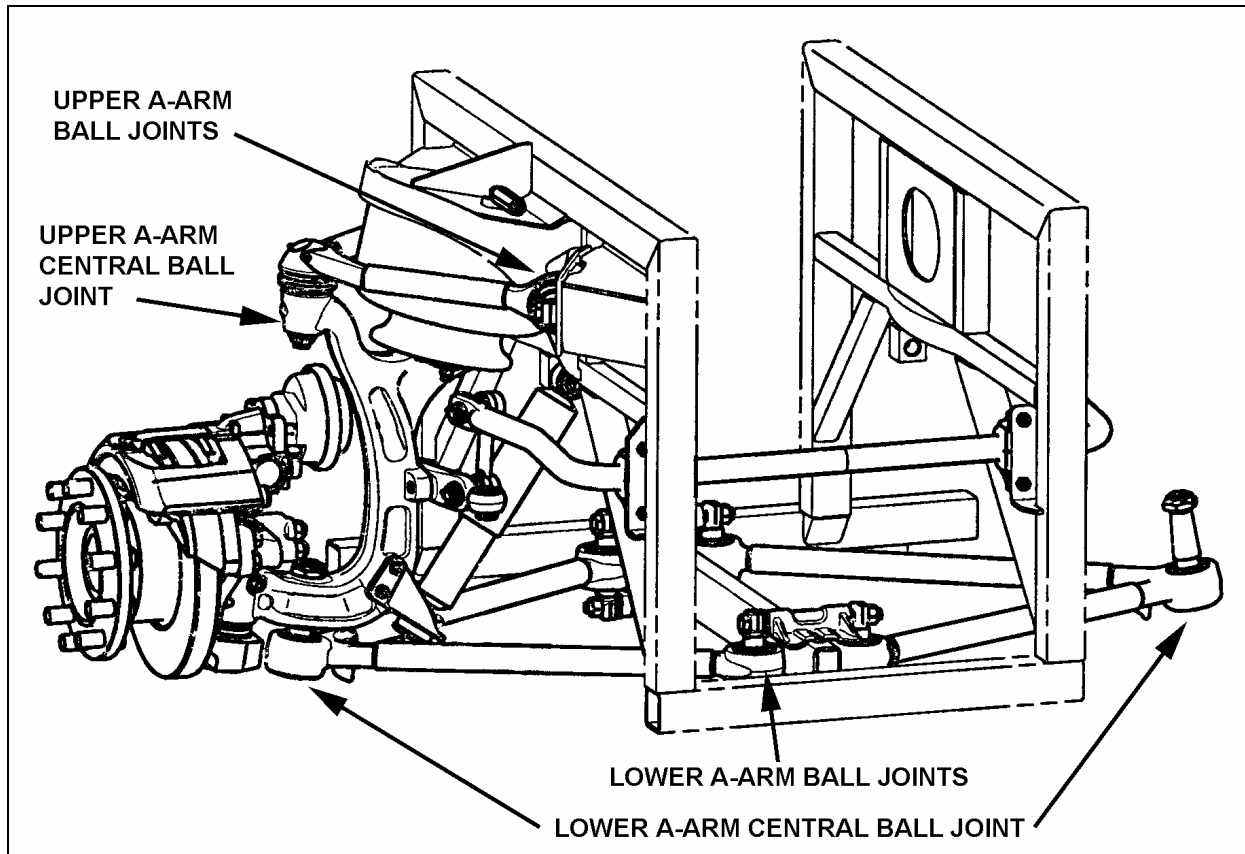


FIGURE 17: BALL JOINTS LOCATION

4. LOWER AND UPPER A-ARM BALL JOINT

The assembly work may be done only by a recognized specialized workshop. Ensure that old and new parts do not get mixed up with each other. It is for this reason that all the old parts are to be scrapped immediately after a joint has been stripped down. A complete repair set must be used for each joint repaired, i.e. use of only part of a repair set is not permissible.

4.1 INSPECTION

Take off the load from the ball joint by lifting the front of the vehicle. Apply a load on the joint in all of the degrees of freedom in an axial, radial, etc. sense with a suitable lever tool. After the load is taken off, the joint has to spring back into its starting position. Free play is not acceptable.

Separation of rubber from ball pin or external joint shell is in accordance with "normal wear characteristics".

When the following characteristics are noted, the joint is to be changed:

- Free play;
- Radial cracking of the external sheet-metal race.

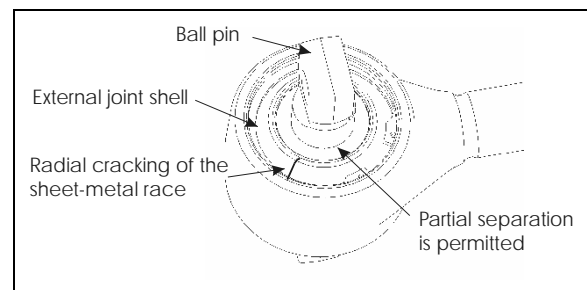


FIGURE 18: A-ARM BALL JOINT

4.2 STRIPPING DOWN

Strip down the defective joint through removal of retaining ring, annular spacer and ball pin/bushing assembly and thereafter clean out outer housing bore and locking circlips groove.

4.3 ASSEMBLY

Execute assembly of the new joint parts in the following sequence:

Section 16: VIP EQUIPPED WITH INDEPENDENT FRONT SUSPENSION (IFS)

1. Complete moistening of the contact surface between housing bore and ball pin through application of the grease.

Note: Apply grease, only in the case of repair kit (Prevost # 611114).

2. Insert ball pin/bushing assembly. In case of the two-bolt type, ensure that the bolt bores are in the correct position in relation to the axis of the tube.
3. Place joint in receiving fixture and mount annular assembly tool on the housing. Then locate annular spacer and retaining ring in the housing using axial load with the aid of assembly matrix. If the ends of the annular spacer are not in contact with each other, the thus formed opening must be located at 180° to the opening of the retaining ring. Pay attention during assembly to ensure that the retaining ring eyelets are located at each side of the housing shaft axis (retaining ring eyelet lug points to tube), and that retaining ring is properly engaged in the groove of the housing.
4. When repairing defective ball pin assemblies, the necked down-bolt must regularly be replaced with a new one.

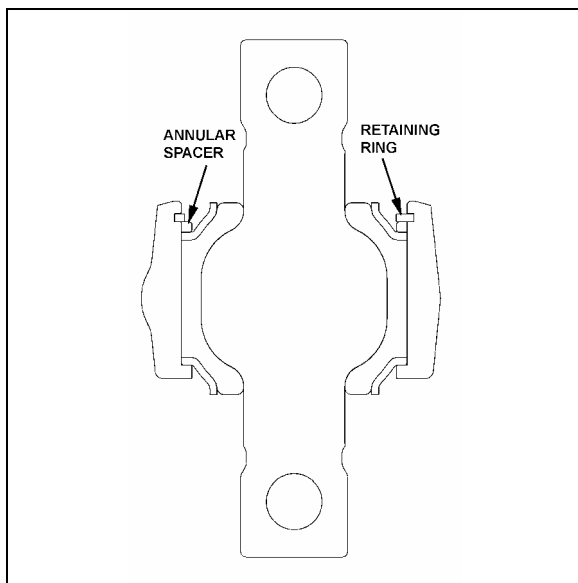


FIGURE 19: LOWER A-ARM BALL JOINTS 16047

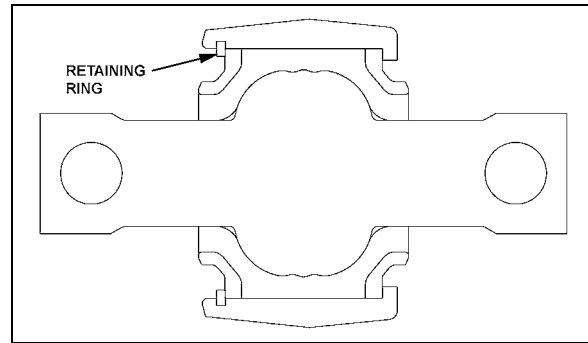


FIGURE 20: UPPER A-ARM BALL JOINTS

5. LOWER A- ARM CENTRAL BALL JOINT

5.1 INSPECTION

Take off the load from the ball joint by lifting the front of the vehicle. Apply a load on the joint in all of the degrees of freedom in an axial, radial, etc. sense with a suitable lever tool. After the load is taken off, the joint has to spring back into its starting position. Free play is not acceptable.

Separation of rubber from ball pin or external joint bushing shell is in accordance with "normal wear characteristics".

When the following characteristics are noted, the joint is to be changed:

- Free play;
- Radial cracking of the external bushing shell.

5.2 STRIPPING DOWN

Strip down the defective joint through removal of retaining ring, annular spacer and ball pin/bushing, assembly and thereafter clean out housing bore and locking circlips groove

5.3 ASSEMBLY

Assemble the new component parts of the joint in the following sequence:

1. Complete moistening of the contact surface between housing bore and ball pin through application of the grease.
2. Place joint in receiving fixture and mount annular assembly tool on the housing. Then locate annular spacer and retaining ring in the housing using axial load with the aid of assembly matrix. If the ends of the annular spacer are not in contact with each other, the thus formed opening must be located at 180° to the opening of the retaining ring. Pay attention during assembly to ensure

that the retaining ring eyelets are located at each side of the housing shaft axis (retaining ring eyelet lug points to tube), and that retaining ring is properly engaged in the groove of the housing.

3. Faultlessly apply grease by mechanical means to bracket-outer core and ball-inner cone. Insert bracket outer cone in fixture with distance ring and then use press tool to apply pressure to press mount with ball-inner cone.

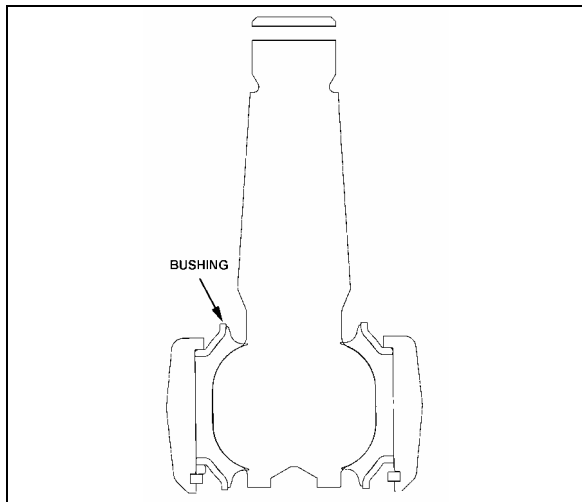


FIGURE 21: LOWER A-ARM CENTRAL BALL JOINT

6. UPPER A-ARM CENTRAL BALL JOINT

6.1 VISUAL INSPECTION

Check the condition of the sealing boot, in particular:

Check if the retainer ring, which secures the sealing boot at the conical section of the ball stud, is still present.

Check if grease is present on the external surface of the sealing boots. Escaped fluid and accumulations of grease on the sealing boot may be the result of the sealing boot's rupturing. In this case, the ball joint must be systematically replaced.

6.2 PLAY MEASUREMENT

1. Raise the vehicle and support through axle jacking points.
2. Using a caliper, measure dimension A on figure 22.
3. With a lever tool, exert sufficient force under the upper A-arm as to separate the upper A-arm from the upright in order to have the ball joint to its maximum extent. Measure di-

mension A again. If the difference between the two dimensions is greater than 0.060" (1.5mm), then the ball joint should be replaced.

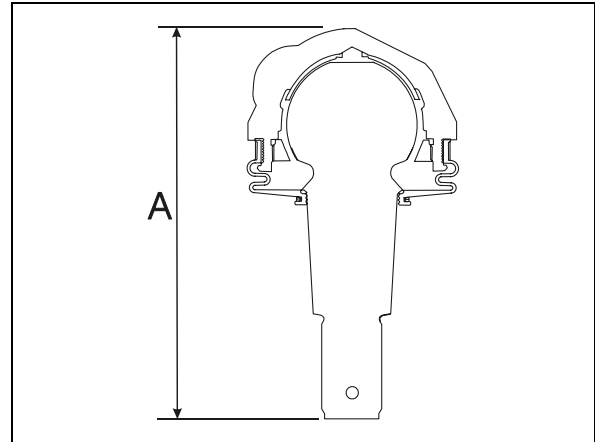


FIGURE 22: UPPER A-ARM CENTRAL BALL JOINT 16116

7. FRONT END ALIGNMENT

Proper front end alignment must be maintained to insure ease of steering and provide satisfactory tire life. When making front end alignment inspections, the vehicle must be level and empty with the full weight of the vehicle on the wheels.

Front end alignment inspections fall into two groups: regular service inspections performed at periodic intervals, and inspections to determine the extent of damage after a collision or severe service.

Regular service inspections concern toe-in, camber and caster.

Any variation from the specified alignment will indicate either a need for adjustment or a more thorough inspection to determine if parts replacement is required.

Warning: During alignment, both camber and caster among other angles are adjusted. When adjusting these we install or remove shims from the lower "A" arms of the ISS suspension. After performing alignment, make sure that the following is done:

- a) Installing a new lock nut after all shims are finalized.
- b) Torque replaced nuts as per Torque Table.
- c) Installing a longer bolt if less the 2 threads are remaining after the nut.
- d) Using a Torque mark on the nut for future visual inspection.

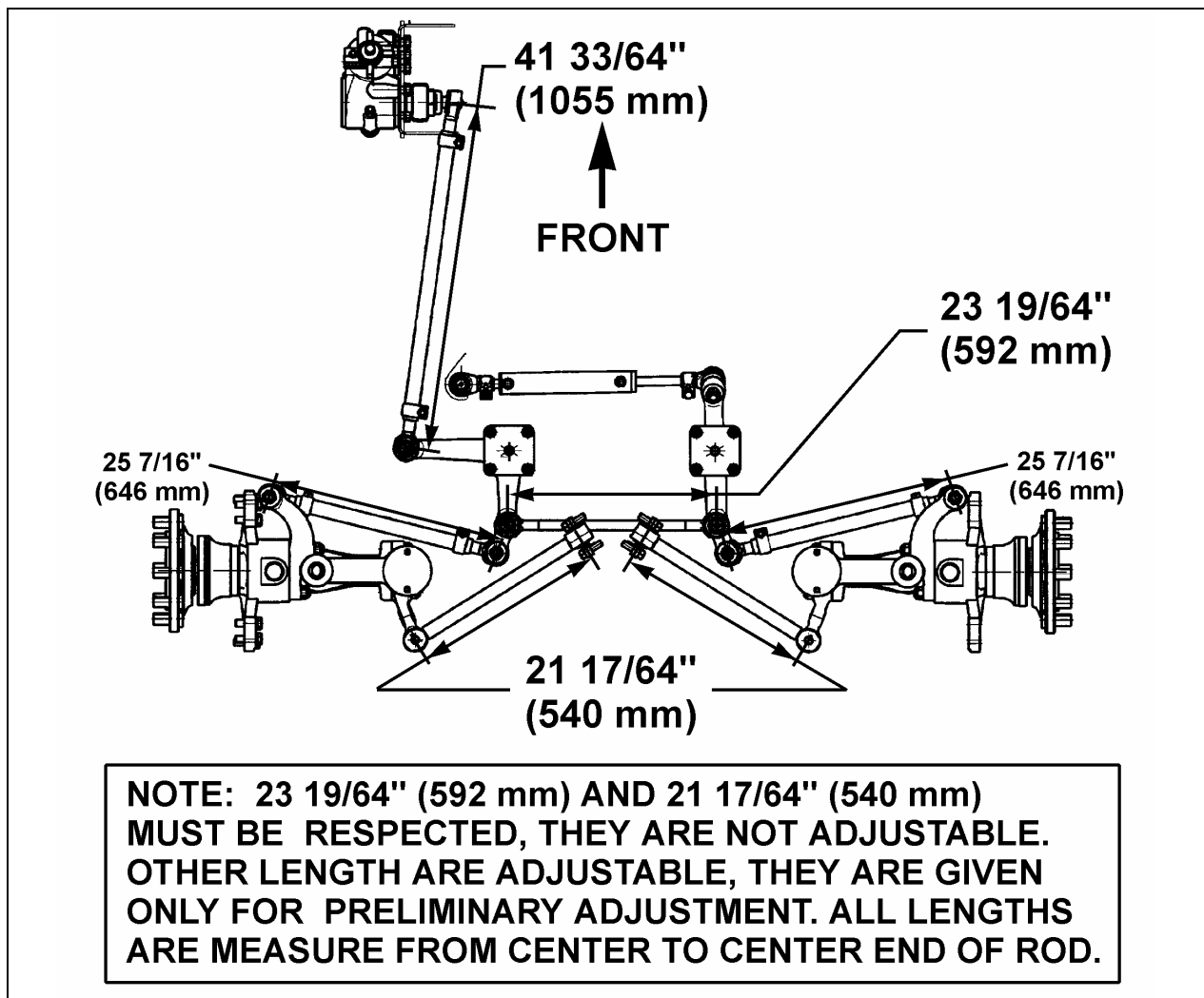


FIGURE 23: STEERING LINKAGE MEASURE

16050

7.1 ALIGNMENT TERMINOLOGY

Wheel Camber

The amount the wheels are inclined from the vertical plane (A, Fig. 24).

Wheel Toe-In

The distance the front wheels are closer together at the front than at the rear of the tires (D minus E, Fig. 24).

King Pin Inclination

The inclination of the king pin from vertical toward the center of the vehicle at the top and outward at the bottom (B, Fig. 24).

Front Axle Caster

The inclination of the king pin from vertical in the fore and aft direction (C, Fig. 24).

7.2 FRONT END INSPECTION

Before checking front end alignment, make the following inspection:

1. Check that the vehicle is at normal ride height (see paragraph "11. Suspension Height Adjustment").
2. Check the tires for proper inflation.
3. Check wheel installation and run-out.
4. Check wheel bearing adjustment.
5. Check tie rods and drag link ends for looseness.
6. Check king pins for looseness.
7. Check if the length of the torque rod is 21 17/64" (540 mm) (Fig. 23). Check if the length of the relay rod is 23 19/64" (592 mm)

7.3 FRONT WHEEL CAMBER

Positive camber is the outward inclination of the wheels at the top, negative or reverse camber is the inward inclination of the wheels at the top. Camber variations may be caused by wear at the wheel bearings, wheel spindle bushings, or bent suspension parts.

Check camber, with an accurate gauge. If camber is incorrect, check suspension parts for wear and replace worn parts. If wear is not perceptible, suspension parts may be bent or lower suspension arm may be improperly shimmed.

Check king pin inclination. If king pin inclination is incorrect, readjust the camber and check king pin inclination again.

Note: *Camber is more important than king pin inclination, so adjust camber and verify king pin inclination.*

Shim the lower suspension arm to adjust camber. If the king pin inclination is incorrect, the wheel king pin assembly may be bent and therefore should be replaced.

Excessive positive camber results in irregular wear of the tires at the outer shoulders. Negative or reverse camber causes wear at the inner shoulders.

Note: *Shim only the lower suspension arm to adjust the front wheel camber.*

Caution: *Once the perfect shim combination is achieved, always install new "stover" nuts because the self locking effect is lost after tightening and loosening of the nut. It is recommended to punch marks to detect loosening of the nuts during future visual inspections.*

7.4 FRONT WHEEL TOE-IN

Toe-in is measured from the center of the tire treads. Measurements at the front and rear of the tires must be made at the same height from the floor. Incorrect toe-in results in excessive tire wear and steering instability with a tendency to wander.

7.4.1 Toe-In Check

1. Check the camber adjustment and adjust if necessary.
2. Hoist the front of the vehicle and spin the wheels marking the centerline of the tire treads.

3. Place the wheels in the straight ahead position and lower the vehicle to rest on the floor.
4. Roll the vehicle ahead several feet. This removes any slack caused by looseness in the wheel bearings or steering connections.
5. Check the distance between the tire centerlines at the front and rear of the front tires. These two measurements must be made at the same height above the floor. The front measurement must be $3/32 \pm 1/32$ of an inch less than the rear measurement.

7.4.2 Toe-In Adjustment

1. Loosen the tie rod clamp bolts.
2. Using a pipe wrench, turn the tie rod tubes to obtain the toe-in measurement specified in step 5 under paragraph "6.4.1 Toe-in Check" of this Supplement.
3. Tighten the tie rod clamp bolts and recheck toe-in.
4. Check that the angular relationship of the pitman arm to the steering gear is as shown in figure 8.

Note: *Use only tie rods to adjust toe-in.*

7.5 FRONT AXLE CASTER

Positive caster is the inclination of the top of the king pins toward the rear of the vehicle. Negative or reverse caster is the inclination of the king pins toward the front of the vehicle. This vehicle is designed with positive caster. The purpose of caster is to provide steering stability by keeping the wheels in a straight ahead position.

Caster variations may be caused by bent upper suspension arm, lower suspension arm, or king pin housing. Caster should be adjusted with shims. Precision instruments should be used to measure caster. Shim bell crank and idler arm to adjust caster.

Variations from the specified caster will affect steering stability, cause wandering, wheel shimmy, and reduce returnability when pulling out of curves.

7.6 MAJOR DAMAGE

If the suspension has sustained major damage, it may be necessary to shim the bell crank and the idler arm to avoid the bump steer or roll steer. Moreover refer to paragraph "7. Front End Alignment".

Section 16: VIP EQUIPPED WITH INDEPENDENT FRONT SUSPENSION (IFS)

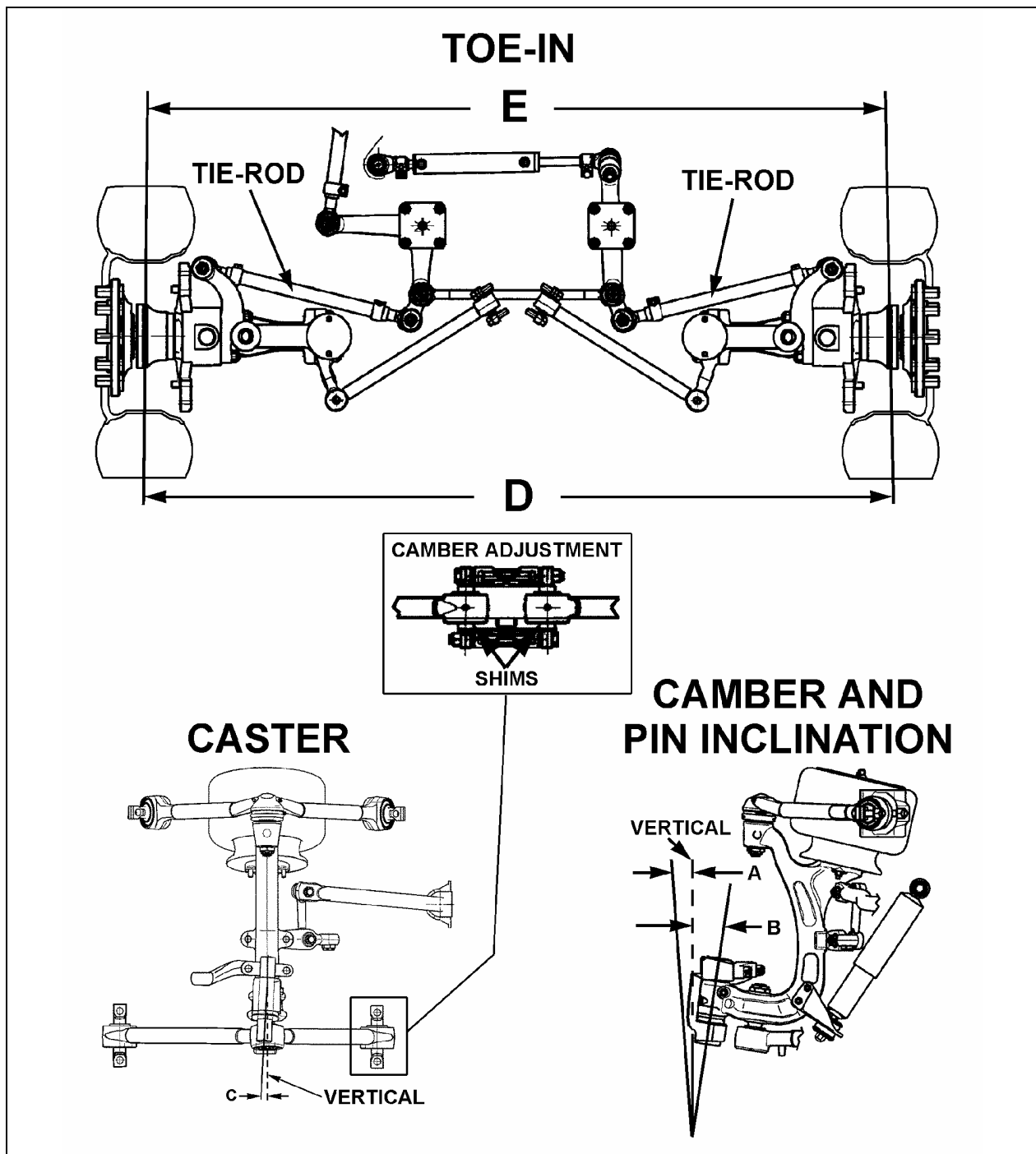


FIGURE 24: FRONT END ALIGNMENT DIAGRAM

16051

ALIGNMENT SPECS (See Figure 23)								
Load		Minimal		Nominal		Maximal		
		Non-converted	Converted	Non-converted	Converted	Non-converted	Converted	
A	WHEEL CAMBER	0.2	-0.150	0.35	0.0	0.55	0.200	
B	KING PIN INCLINATION	8° (not adjustable)						
C	CASTER	2.55		2.8		3.05		
D-E	TOE-IN	0.08		0.10		0.12		

8. FRONT AIR SPRINGS

Two "rolling lobe" type air springs are used with the independent front suspension, one at each wheel. These air springs are special and use the complete piston as an extra reservoir to lower the spring stiffness. Front air springs are attached to the subframe and to uprights.

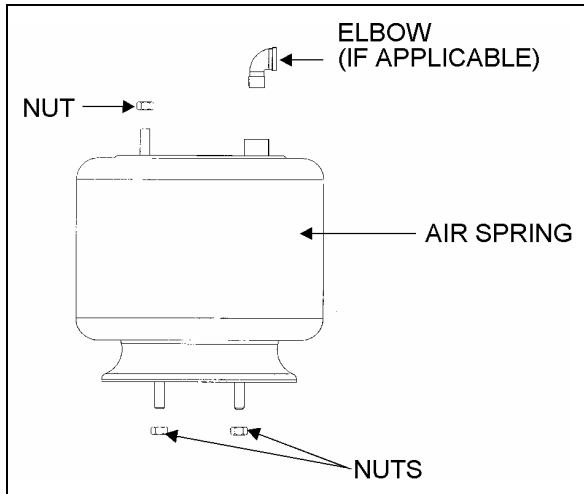


FIGURE 25: AIR SPRINGS

16052

8.1 INSPECTION

1. Check operation of bellows.
2. Visually inspect bellows for evidence of cracks, punctures, deterioration, or chafing. Replace the bellows if damage is evident.
3. With the primary air system at normal operating pressure (95 - 125 psi (655 - 860 kPa)), coat all suspension air line connections and bellow mounting areas with a water and soap solution. Bubbles will indicate an air leak, and none is permissible. Repair or replace defective parts.

Note: If air spring is removed from vehicle, bellows can be lightly inflated and submerged in water to detect any leakage. If leakage is detected, replace bellows.

Warning: To prevent personal injury, do not apply more than 10 psi (69 kPa) air pressure to the unmounted air spring.

8.2 REMOVAL

Note: Front air springs can be removed without removing the entire suspension assembly.

1. Safely support vehicle at the recommended body jacking points and jack up body understructure.
2. To gain access to a given air spring, the corresponding wheel can be removed.

Caution: Only the recommended jacking points must be used as outlined in Section 18, "Body" in the maintenance manual.

3. Support the assembly with a suitable jack.
4. Exhaust compressed air from accessory air tank by opening drain cock under reservoir.
5. Disconnect the height control valve link and pull down the overtravel lever to ensure all air is exhausted from air springs.

Note: While performing this step, do not change the height control valve overtravel lever adjustment.

6. Disconnect air line from air spring, remove elbow (if applicable), and cover both the line end and fitting to prevent the entry of foreign matter.
7. Remove the air spring upper nut, and then the two lower nuts. Remove air spring and remove the back up plate from the top of the air spring.

8.3 INSTALLATION

Note: To facilitate air spring installation, compress it manually then put a piece of tape over the air line threaded fitting. This prevents air from getting back into the bag and keeps it compressed, thus enabling to place the bag in between the mounting plates and greatly easing installation.

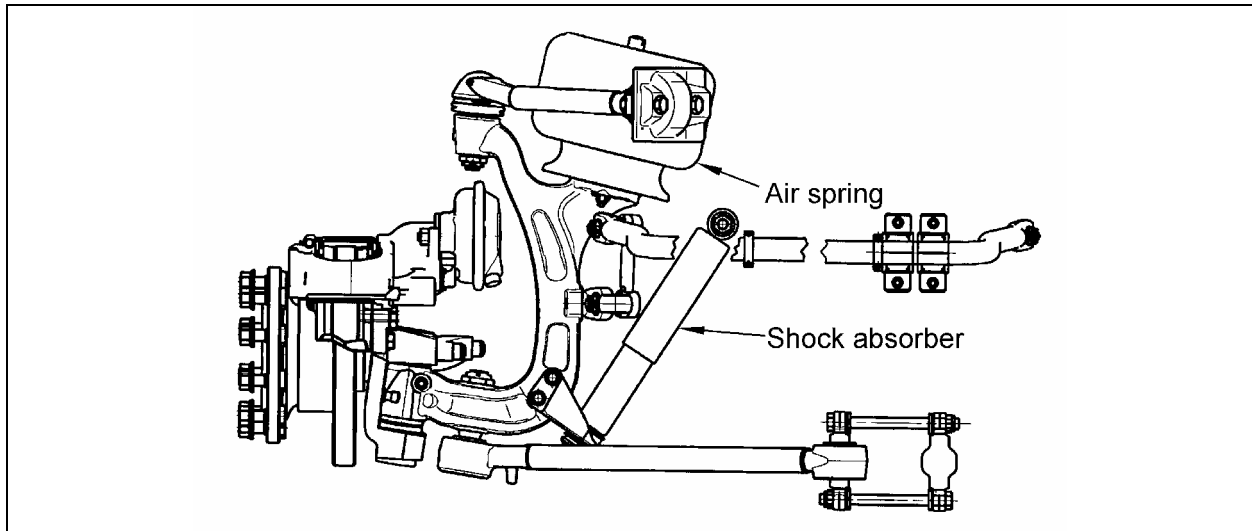


FIGURE 26: AIR SPRING AND SHOCK ABSORBER

16145

1. Compress air spring as necessary, then aligning studs with their holes, position air spring between both the lower and upper supports. Thread the lower nuts and the small upper nut a few turns.
2. Tighten and torque the lower stud nuts, and then the upper nut to 20-25 lbf-ft dry (27–34 Nm).
3. Install elbow (if applicable), then connect air line.
4. Connect the height control valve link.
5. Build up air pressure in system.

Note: To accelerate this operation, air reservoirs can be filled from an exterior air supply connected to the accessory tank fill valve or to the emergency fill valve.

6. Check operation of bellows, and with the primary air system at normal operating pressure [95 - 125 psi (655 - 860 kPa)], coat the air line connections and air spring mounting areas with a water and soap solution. Bubbles will indicate an air leak, and none is permissible. Repair or replace defective parts.
7. Remove the hydraulic floor jack from underneath shock absorber bracket.

9. SHOCK ABSORBERS

The two front shock absorbers are double-acting and telescopic type. Shock absorbers ensure a smooth ride and enhance vehicle stability on the road. Front shock absorbers have eye-type mountings on the upper side and bayonet type

on lower side. Shock absorbers are non-adjustable and non-repairable.

Caution: When a shock absorber is found defective, always replace with a new set on affected axle, except if there has been a recent replacement of one unit. The following method will help in determining if both shock absorbers on the same axle have to be replaced (Refer to the SACHS document “Guideline To Evaluate Warranty Claims” annexed at the end of this section before replacing a shock).

9.1 SHOCK ABSORBER REMOVAL

1. Remove the nut, washer and rubber joint from shock absorber mounting stud. Discard the rubber joints.
2. Remove the nut and washer from shock absorber mounting pin (upper side), taking care to identify the inner and outer washers to ease reinstallation. Refer to figure 27 for details.
3. Remove the shock absorber from the vehicle.
4. Remove inner: washers, rubber joint and bushings from the shock absorber. Discard bushings and rubber joint.

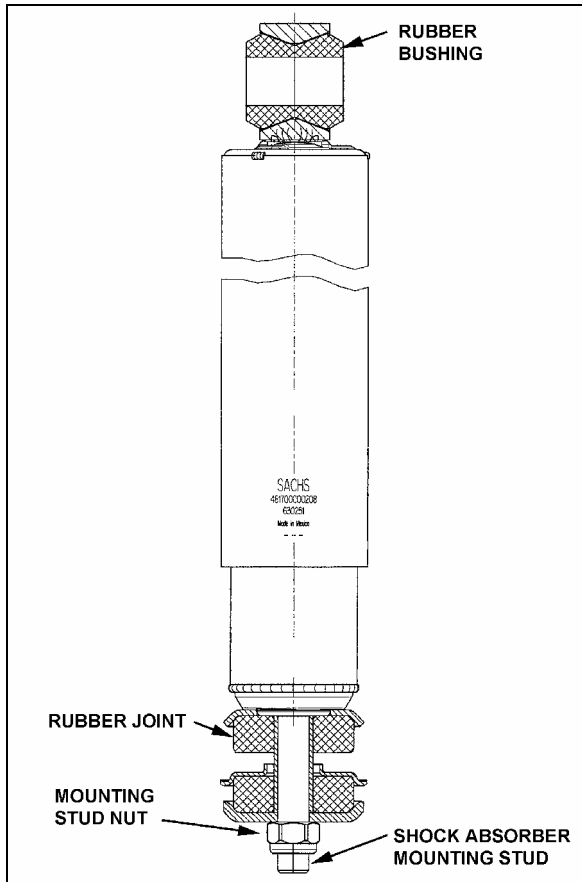


FIGURE 27: SHOCK ABSORBER 161124

9.2 SHOCK ABSORBER INSTALLATION

1. Check that the shock absorber mounting pin is proper torque [350-400 lbf-ft dry (475-545 Nm)]. Ensure that the stud is clean and not stripped (upper side).
2. Install new rubber (mounting) bushing on shock absorber (upper side).
3. Place the inner washer on shock absorber pin (Fig. 27).
4. Install washer and rubber joint on shock absorber mounting stud (lower side).
5. Install the shock absorber as shown in figure 35 with the mounting stud protruding

through the hole in the mounting bracket and the shock absorber eyes over the mounting pins. Install the outer washer.

6. Place a rubber joint and washer on the shock absorber mounting stud. Place the lower shock absorber mounting stud nut and torque to 60-75 lbf-ft dry (81-102 Nm).
7. Place the upper mounting pin stud nut and torque to 70-85 lbf-ft dry (95-116 Nm).

10. SWAY BAR

A sway bar is provided on the front and drive axles to increase vehicle stability. It controls lateral motion (swaying movement) of vehicle.

10.1 REMOVAL

1. Disconnect the two links from sway bar.
2. Safely support the sway bar. Unbolt bushing collars from subframe.
3. Remove sway bar.

Note: Sway bar bushings are slit to ease their removal.

10.2 INSTALLATION

1. Loosely install the sway bar.
2. Torque bushing collar nuts to 80-100 lbf-ft dry (108-136 Nm).
3. Torque sway bar link upper nuts to 165-200 lbf-ft dry (224-271 Nm) on front suspension and to 100-120 Lbf-ft (136-163 Nm) on rear suspension.
4. Torque sway bar link lower nuts to 165-200 lbf-ft dry (224-271 Nm) on front suspension and to 70-80 lbf-ft (95-110 Nm) on rear suspension.

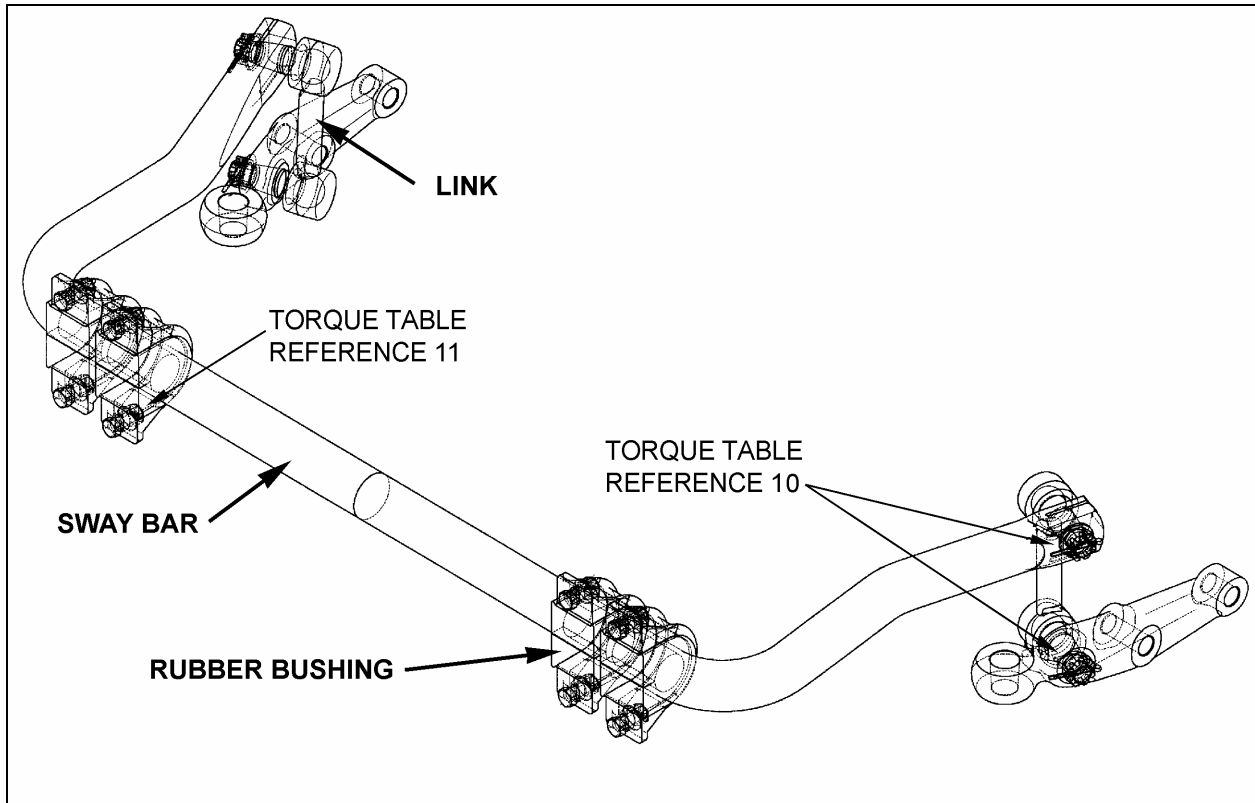


FIGURE 28: SWAY BAR (FRONT SUSPENSION)

16138

11. INDEPENDENT FRONT SUSPENSION ADJUSTMENT

VIP coach shells are equipped with "LEVEL-LOW" leveling system. The purpose of the "LEVEL-LOW" is to adjust suspension in three separate points (front, rear right and rear left air springs) in order to level vehicle body. Three height control valves, automatically control air pressure in the three separate points (air springs) and maintains a constant vehicle height regardless of load, or load distribution. The control solenoid valve supplies air to the five way three-position air control valve, which bypasses the height control valve, and opens a passage to allow the air control and exhaust valve to release/supply air from air springs. To improve road comfort, an expansion air tank is installed in series with each air spring.

In addition to the above suspension components the system also includes: sway bar, upper and lower suspensions, bars and shock absorbers (Fig. 1).

Note: Only for preliminary adjustment, refer to figure 20. Torque rod length must be fixed to 21 17/64" (540 mm) and relay rod to 23 19/64" (592 mm).

Caution: Parts must be replaced by ones with the same part numbers or with equivalent parts, if replacement becomes necessary. Do not use parts of lesser quality or substitute design. Torque values must be used as specified during reassembly to assure proper retention of these parts.

12. SUSPENSION HEIGHT ADJUSTMENT

The flow of pressurized air from the accessory air tank to the air springs is controlled by three height control valves. The two rear valves are mounted to the subframe and connected to the rear axles through an arm and link connection. The front valve is mounted to the subframe and connected to the front air tank support (Fig. 30). These connections allow the valves to apportion air pressure in the springs to the vehicle load, maintaining normal ride height.

Immediate response height control valves increase or decrease the air pressure in the suspension system as required. One height control valve is located **at center of front sway bar**, and regulates air to front suspension air springs in order to maintain the vehicle at the required height. Two are located at the drive axle, one on each inner side of rear wheelhousing.

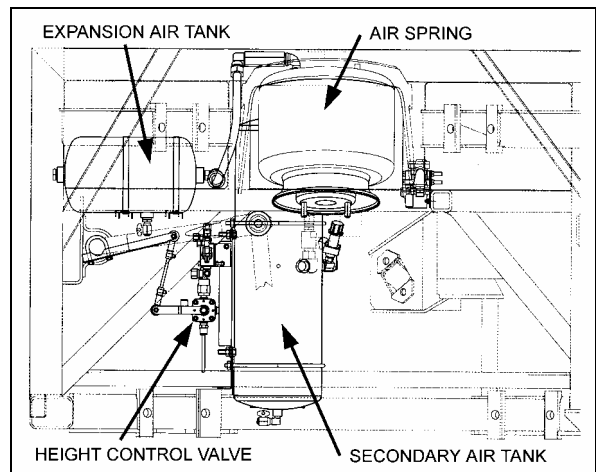


FIGURE 29: HEIGHT CONTROL VALVE LOCATION 16057

The appropriate vehicle body height is obtained by measuring the clearance of all the air springs installed on the vehicle. The two front air springs clearance should be $11 \pm \frac{1}{4}$ " (279 ± 6 mm). Refer to figure 28 to identify the correct area to take measurement. The rear air springs clearance should be $11 \frac{1}{2} \pm \frac{1}{4}$ " (292 ± 6 mm) (refer to Maintenance Manual, Section 16, under "Suspension Height Adjustment" for rear height control valves' adjustment). At this point, it should not be necessary to make an adjustment under normal service conditions. However, if an adjustment is required, change the position of the overtravel lever in relation to the overtravel control body. The lever should be moved up to raise vehicle height, and down to lower it. Check that main air pressure is at normal operating pressure and raise the vehicle to the specified height.

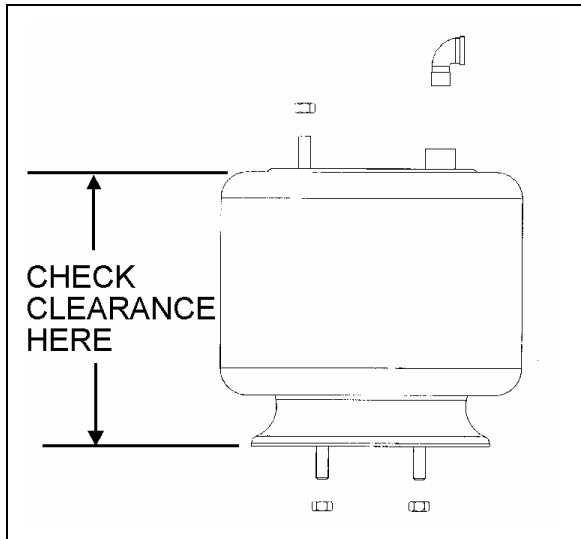


FIGURE 30: TYPICAL AIR SPRING CLEARANCE 16058

Caution: Always adjust on "fill cycle". If it is necessary to lower vehicle height, release sufficient air to be well below height, and adjust to height or fill cycle.

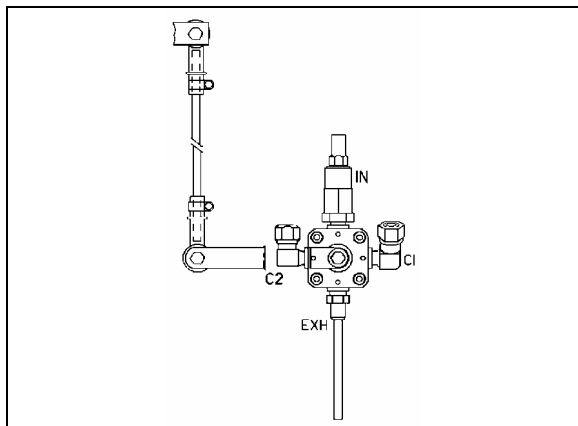


FIGURE 31: FRONT HEIGHT CONTROL VALVE 16100

The normal ride height is obtained by adjusting air spring clearance of both front and rear suspension as follows:

Front air spring clearance

1. With the vehicle at normal operating air pressure (100 - 125 psi (689 - 860 kPa)), measure air spring clearance. This clearance should be $11 \pm \frac{1}{4}$ " (279 \pm 6 mm).

Note: The measurement should be taken from underneath the upper air spring support on subframe to top of the lower air spring support on axle (refer to figure 30 for more details). If adjustment is required, begin with the drive axle.

2. Loosen the clamp on the height control valve rubber coupling and bring it up or down (Fig. 32).

Note: Allow suspension to stabilize before taking reading.

When the desired height is obtained, tighten clamp.

Rear air springs clearance

Refer to H3 Maintenance Manual, Section 16, under "Suspension Height Adjustment".

13. HEIGHT CONTROL VALVE

The height control valves automatically add air to, or release air from air springs to maintain constant suspension height regardless of load, or load distribution. Each valve adjusts independently according to the following conditions:

13.1 LOADING POSITION

As the load increases and lowers the vehicle body, the overtravel lever commands the height control valve to add air to air springs.

13.2 NEUTRAL POSITION

When vehicle body reaches the normal ride height, the height control valve overtravel lever reaches the "neutral" position and keeps both the supply and exhaust ports closed to ensure normal ride height is maintained. This condition remains static until the vehicle load is altered.

13.3 UNLOADING POSITION

As the load decreases and raises the vehicle body, the overtravel lever commands the height control valve to release air from air springs.

13.4 MAINTENANCE

The height control valve requires no periodic maintenance. Height control valve linkage operates on rubber bushings and no lubrication should be attempted at this location. Inspect the valve for loose joints, air leaks and worn bushings.

13.5 REMOVAL AND INSTALLATION

Before disconnecting a height control valve air line, securely support the vehicle by its jacking points on the body, and place safety supports underneath body. Refer to paragraph "16. Vehicle Jacking Points" in Section 18, "Body".

1. Exhaust air from air system by opening all air tank drain cocks. Remove height control valves.
2. Disconnect overtravel lever from link and pull down lever to exhaust remaining air from air springs.
3. Disconnect air supply and delivery lines from the height control valve. Cover line ends with tape to prevent entry of foreign matter.
4. Remove the nuts retaining the height control valve to the mounting bracket, then remove valve assembly.

Reverse removal procedure to replace height control valve. After installation, check for leakage using a soap and water solution.

14. "LEVEL-LOW" LEVELING SYSTEM

The purpose of the "level-low" leveling system is to adjust suspension in three separate points (front, rear right and rear left) in order to level vehicle body. This system can be put into service when the ignition key is turned to the "ON" position, and must be used only when the parking brake is applied. The "level-low" warning light on the dashboard indicates that the selector switch is not in the "OFF" position. Level low system controls are located on L.H. side control panel.

14.1 PRINCIPLES OF OPERATION

DOWN:

The (front/rear right/rear left) control solenoid valve supplies air to the (front/rear right/rear left) five-way three-position air control valve, which bypasses the (front/rear right/rear left) height control valve, and opens a passage to allow the air control and exhaust valve to release air from (front/rear right/rear left) air springs.

UP:

The (front/rear right/rear left) control solenoid valve supplies air to the (front/rear right/rear left) five-way three-position air control valve, which bypasses the (front/rear right/rear left) height control valve, and opens a passage to allow the air control and exhaust valve to supply air to (front/rear right/rear left) air springs.

DRIVE:

When the ignition key is turned to the "ON" position with selector knob in the "DRIVE" position, the drive control solenoid valve supplies air to all five-way three-position air control valves, each one opening a passage to allow height control valves to accomplish their function.

When the ignition key is turned to the "OFF" position and selector knob to the "DRIVE" position, the air is entrapped between air springs and five-way three-position air control valves to ensure the adjusted level will be kept.

Warning: Never move vehicle with selector knob in any other position than the "DRIVE" position.

14.2 MAINTENANCE

Since the kneeling action is issued from both the air system and electrical system, refer to Section: 12, "Brake and Air System" and Section 06, "Electrical System".

For diagnosis and understanding of the system, refer to wiring diagrams, and to the appropriate air system schematic diagram annexed to Section 12, "Brake and Air System".

15. AIR SYSTEM

The basic air system consists of an air compressor, tanks, valves, filters and interconnecting lines and hoses (refer to Section 12, "Brake and Air System" for complete information). It provides a means for braking, operating controls and accessories, and suspension. An air system schematic diagram is annexed at the end of this supplement for better understanding of the system.

The air coming from the air dryer is first directed to the wet air tank, then to the primary (for the primary brake system), secondary (for the secondary brake system), and accessory (for the pneumatic accessories) air tanks (Fig. 33).

In addition, an expansion air tank is installed in series with each air spring.

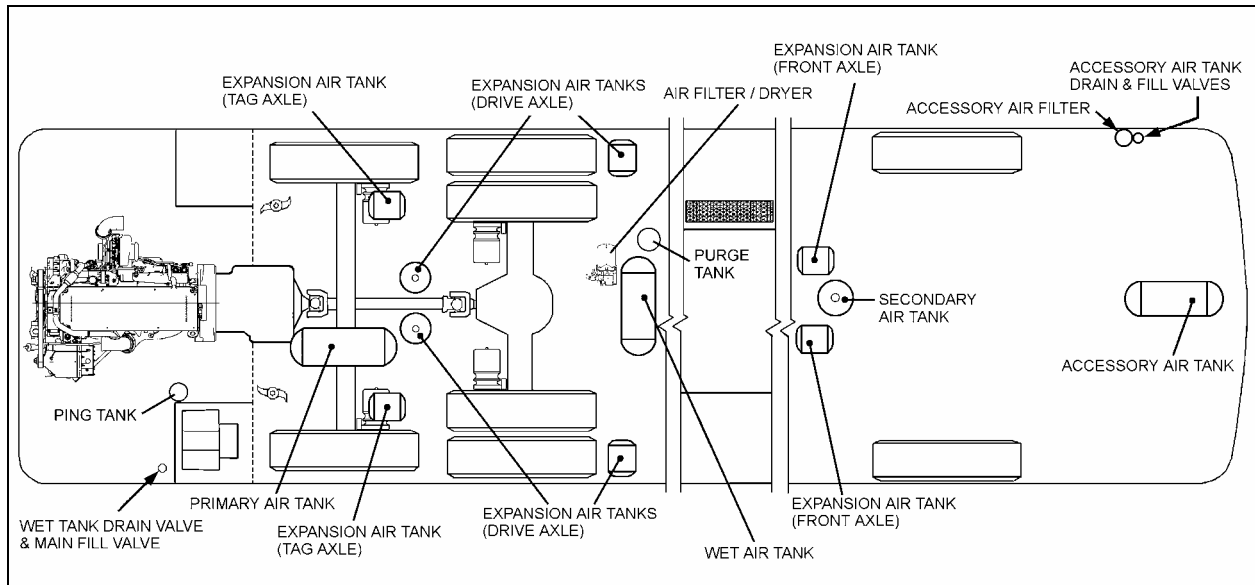


FIGURE 32: LOCATION OF AIR TANKS

12195

15.1 AIR TANK MAINTENANCE

Ensure that the accessory air tank is purged during pre-starting inspection. A good practice is to purge this tank at the end of every driving day by the remote air tank drain valve located in the steering compartment (Fig. 35).

Moreover, purge all tanks by their bottom drain valves at specified intervals.

15.1.1 Wet Air Tank

This tank is installed in front of and above drive axle in the rear wheelhousing and is provided with a bottom drain valve. It is recommended to **purge** the wet air tank by its bottom drain valve every 12,500 miles (20 000 km), or once a year, whichever comes first.

A remote valve located in engine compartment and accessible through engine R.H. side door is used to **purge daily** (Fig. 34).

15.1.2 Primary Air Tank

The primary air tank is located above tag axle.

This tank is also provided with a bottom drain valve (Fig. 33). It is recommended to purge the tank by its bottom drain valve every 12,500 miles (20 000 km), or once a year, whichever comes first.

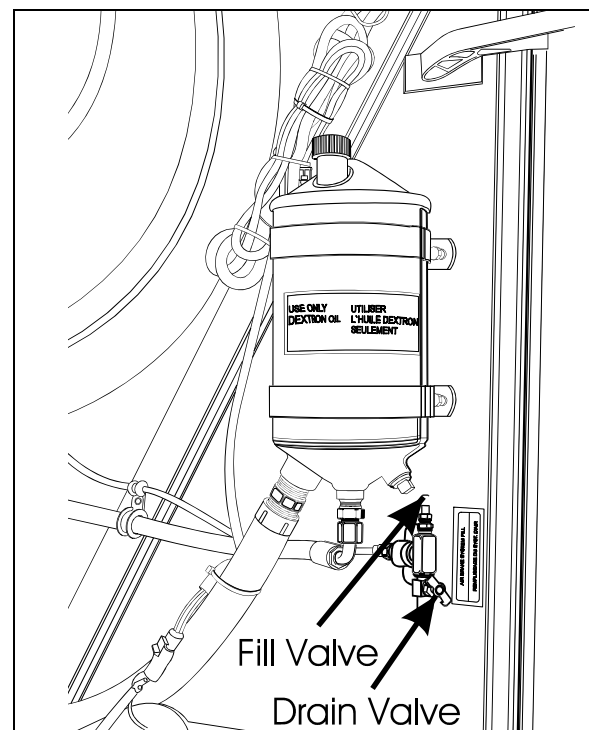


FIGURE 33: REAR VALVE LOCATION

12162

15.1.3 Secondary Air Tank

This tank is located in front wheelhousing. The tank is installed vertically and is provided with a bottom drain valve (Fig. 33).

It is recommended to purge the tank by its bottom drain valve, every 12,500 miles (20 000 km) or once a year, whichever comes first.

15.1.4 Accessory Air Tank

The accessory air tank is installed at the ceiling of spare wheel compartment. The tank is provided with a bottom drain valve (Fig. 33).

It is recommended to purge the tank by its bottom drain valve, every 12,500 miles (20 000 km) or once a year, whichever comes first.

A remote drain valve is located in front service compartment (Fig. 35) underneath the accessory air filter. Refer to Section 12, paragraph "4. Accessory Air Filter" of the maintenance manual for daily purge procedure.

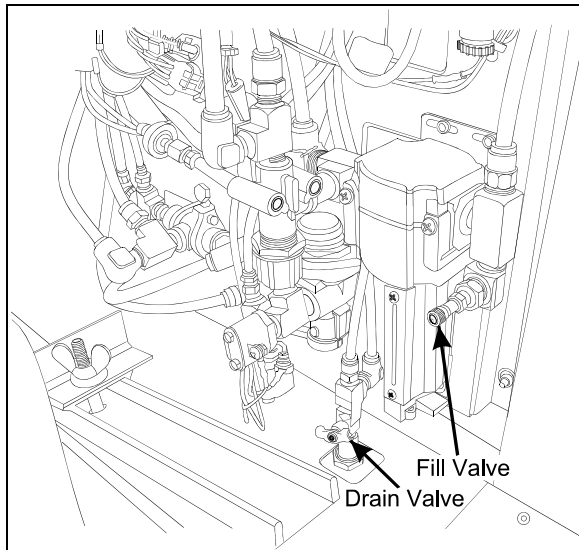


FIGURE 34: FRONT VALVE LOCATION

12144

15.1.5 Expansion Air Tank

Two expansion tanks are located in front wheelhousing. These air tanks are located behind secondary air tank. Also, six expansion tanks are located near rear air springs (Fig. 33). Expansion tanks are connected in series with air springs. Expansion tanks are used to lower the stiffness of the air spring. They are provided with a bottom drain valve.

It is recommended to purge them, with all other tanks, every 12,500 miles (20 000 km) or once a year, whichever comes first.

15.2 EMERGENCY FILL VALVES

The vehicle is equipped with two air system emergency fill valves to supplement the air system when air pressure is low and engine cannot be operated.

The rear valve is located in engine compartment and accessible from engine R.H. side door (Fig. 34).

Caution: No other point should be used to supply air system. The maximum allowable air pressure is 125 psi (860 kPa).

The front valve is located in the front service compartment close to accessory air filter (Fig. 35).

These two air valves are fitted with the same valve stems as standard tires, and can be filled by any standard external air supply line.

The rear valve will supply air for all systems (brakes, suspension and accessories) while the front valve will supply air for accessories only.

Caution: Air filled through these two points will pass through the standard air filtering system provided by Prevost. Do not fill air through any other points.

16. HUB UNIT AND SWIVEL ASSEMBLY

Refer to "DANA SPICER Service Manual General Information, Maintenance Manual Model NDS and Maintenance Manual NDS Axles" annexed to section 10 "Front Axle".

Section 16: VIP EQUIPPED WITH INDEPENDENT FRONT SUSPENSION (IFS)

17. TORQUE TABLE

DESCRIPTION	QTY	REFERENCE	TORQUE (DRY) lbf-ft / Nm	
Upper A-Arm Central Ball Joint (Castellated Hex Nut)*	2	1	310-340	420-461
Upper A-Arm Ball Joint	8	2	230-255	312- 346
Lower A-Arm Central Ball Joint (Castellated Nut)*	2	3	490-540	664- 732
Lower A-Arm Ball Joint	8	4	270-300	366-407
Air Spring Lower Nut (Front Suspension)	4	5	20-25	27-34
Air Spring Upper Nut (Front Suspension)	2	6	20-25	27-34
Shock Absorber Support	4	7	145-165	196-224
Shock Absorber Upper Mounting Pin Stud Nut	2	8	70-85	95-115
Shock Absorber Lower Mounting Pin Stud Nut	2	9	60-75	81-102
Sway Bar Link Upper and Lower Nuts (Front Suspension)	4	10	165-200	224-271
Sway Bar Bushing Collar (Front Suspension)	8	11	80-100	108-136
Idler Arm and Bell Crank Mounting Spindle Nut	8	12	90-105	122-142
Hydraulic power cylinder to bracket Stud Nut*	1	13	150-200	203-271
Hydraulic Power Cylinder End Clamp Bolt Nut	1	14 & 16	40-60	54-81
Hydraulic power cylinder to Idler Arm Stud Nut*	1	15	150-200	203-271
Relay Rod To Bell Crank Stud Nut*	1	17	150-200	203-271
Relay Rod to Idler Arm Stud Nut*	1	similar to 17	150-200	203-271
Tie Rod End Clamp Bolt Nut	4	18 & 20	40-60	55-80
Tie Rod to Steering Arm Stud Nut*	2	19	150-200	203-271
Drag Link Socket End Clamp Bolt Nut	2	21 & 25	40-60	54-81
Drag Link to Pitman Arm Stud Nut*	1	22	150-200	203-271
Steering Gear to Mounting Bracket Bolt	5	23	365-405	495-549
Pitman Arm to Steering Gear Fixing Nut	1	24	470-570	637-773
Drag Link to Bell crank Stud Nut*	1	26	150-200	203-271
Tie Rod to Bell crank Stud Nut*	1	27	150-200	203-271
Tie Rod to Idler Arm Stud Nut*	1	similar to 27	150-200	203-271
Torque Rod Stud Nut	2	28	160-215	220-290
Torque Rod Mounting Bracket Nut	4	29	140-155	190-210
Torque Rod Mounting Bracket Stud	4	30	90-110	122-150
Shock Absorber Pin	2	31	350-400	475-545
Steering Arm to Steering Knuckle Bolt (M20 X 65)	2		520-575	705-780
Steering Arm to Steering Knuckle bolt (M24 X 100)	2		751-830	1018-1125
Sway Bar Link Upper Nuts (Rear Suspension)	2		100-120	135-160
Sway Bar Link Lower Nuts (Rear Suspension)	2		70-80	95-110

* Tighten nut to specified torque, then advance to next aligning cotter pin slot and install a new cotter pin.

Section 16: VIP EQUIPPED WITH INDEPENDENT FRONT SUSPENSION (IFS)

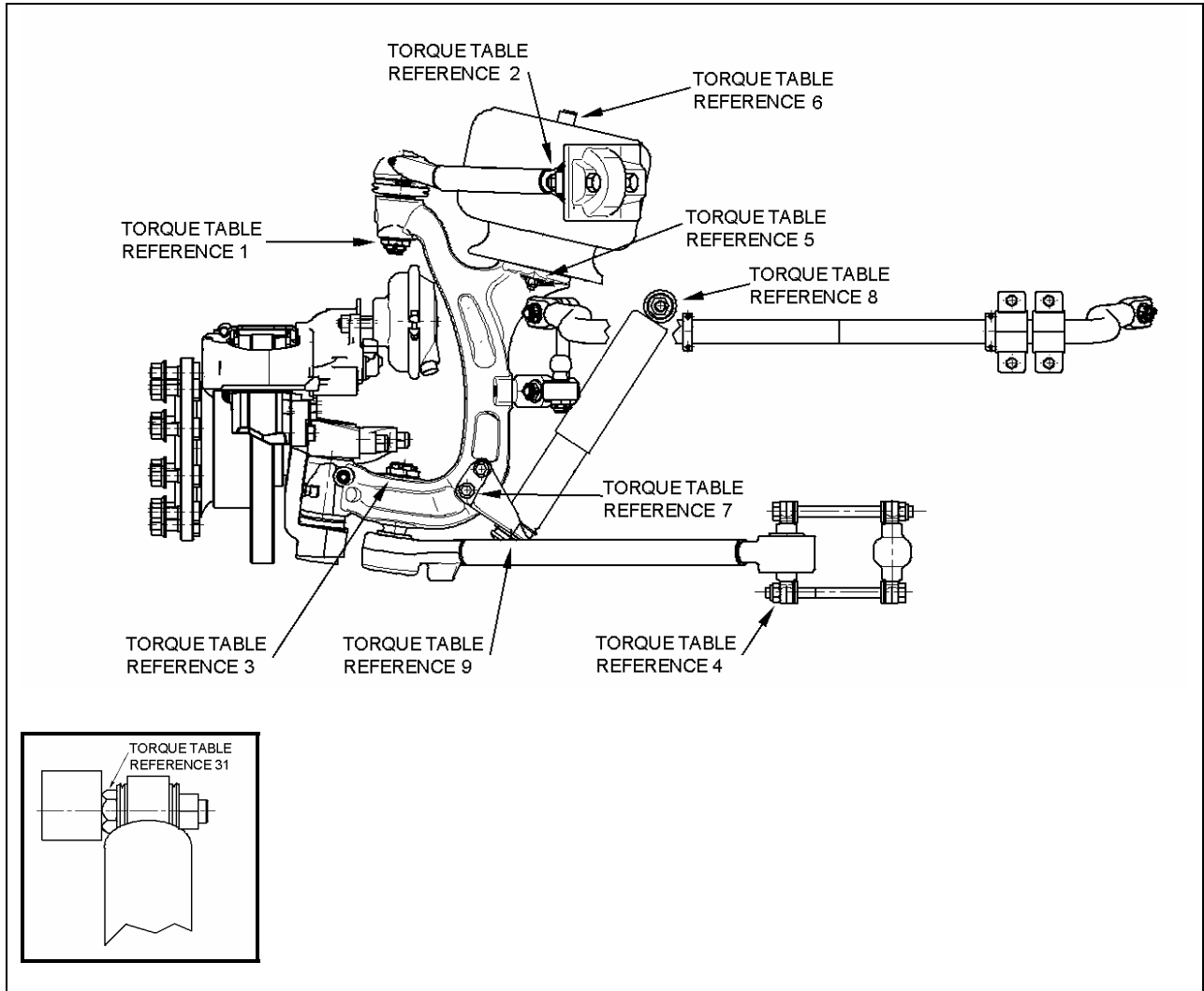


FIGURE 35: TORQUE SPECIFICATIONS

Section 16: VIP EQUIPPED WITH INDEPENDENT FRONT SUSPENSION (IFS)

18. SPECIFICATIONS

Front Axle Air Springs

Make.....Goodyear Tire and Rubber
Diameter..... 14.5 inches
Air Inlet 1/2"- 14 NPTF
Supplier number..... 1R14-167
Prevost number..... 630239

Shock Absorbers

Collapsed length350 mm
Extended Length560 mm
Supplier number.....48170000208
Prevost number..... 630251

Height Control Valve

Make.....Barksdale
Supplier number..... 52321POAQ3-Q26 and 52321POAQ3-Q62
Prevost number..... 630156 and 630157

Steering Gear Box

Make.....ZF-Servocom
Supplier number..... 8098-988-570
Prevost number..... 661045

Steering Gear Box (Optional)

Make.....ZF-Servocomtronic
Supplier number..... 8098-988-571
Prevost number..... 661044

Power Steering Hydraulic Pump

Make.....TRW
Supplier number..... PS251616L10200
Prevost number..... 661070

Power Steering Hydraulic Cylinder

Make.....Hyco
Supplier number..... 007-0300-0
Prevost number..... 661076

Shim (Camber Adjustment)

Thickness3.175 mm
Prevost number..... 160993
Thickness 6.35 mm
Prevost number..... 160992

Sway bar bushing (Drive Axle)

Make..... Prevost
Prevost number..... 130953