

SECTION 04: EXHAUST SYSTEM

CONTENTS

1. DESCRIPTION04-2

2. MAINTENANCE04-2

3. MUFFLER REMOVAL & INSTALLATION04-3

4. FLEXIBLE TUBE INSTALLATION04-3

ILLUSTRATIONS

FIGURE 1: EXHAUST SYSTEM – X3-45 INSTALLATION04-2

FIGURE 2: FLEXIBLE TUBE INSTALLATION04-3

Section 04: EXHAUST SYSTEM

1. DESCRIPTION

The muffler is rubber mounted on the vehicle frame. This feature reduces the transmission of vibrations to the muffler thus resulting in extended life of muffler, brackets and other components.

2. MAINTENANCE

The exhaust system should be inspected periodically for restrictions and leaks. The exhaust system is shown on figure 1. Restrictions such as kinked or crimped pipes result in excessive back pressure that can lead to increased fuel consumption, power loss, and possible damage to engine combustion chamber components. Exhaust leaks are commonly the result of loose clamp bolts, corroded pipes, or a punctured muffler. In addition to objectionable noise, a leaking exhaust system could allow toxic gases to enter the vehicle. Inspect the exhaust system as follows:

- * At vehicle inspection intervals ;
- * Whenever a change is noticed in the sound of the exhaust system ; and
- * Whenever the exhaust system is damaged.

Replace damaged or corroded exhaust system components without delay.

When operating the engine in a service garage or in a closed area, the exhaust must be vented to the outside. Place the shop vent hose over the exhaust outlet pipe.

⚠ WARNING ⚠

Avoid breathing exhaust gases since they contain carbon monoxide which is odorless and colorless but harmful. Carbon monoxide is a dangerous gas that can cause unconsciousness and can be lethal. If, at any time you suspect that exhaust fumes are entering the vehicle, locate and correct the cause(s) as soon as possible.

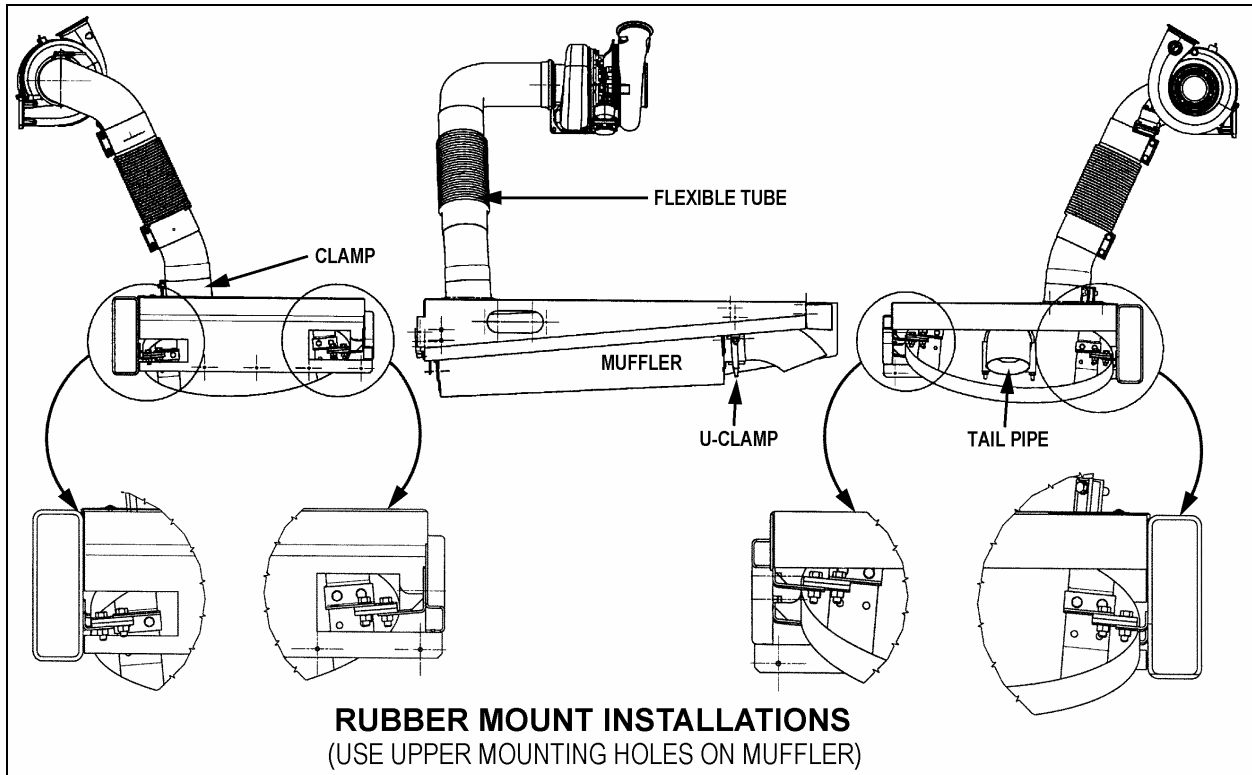


FIGURE 1: EXHAUST SYSTEM – X3-45 INSTALLATION

04011

3. MUFFLER REMOVAL & INSTALLATION

⚠ WARNING ⚠

Make sure that muffler and components are cold before handling.

1. Remove bolts and clamps securing exhaust pipe bellows to the muffler.
2. Support the muffler from underneath vehicle.
3. Remove U-clamp retaining the tail pipe to the muffler.
4. Remove bolt holding the tail pipe to the frame bracket.
5. Remove the tail pipe.
6. Remove the fasteners holding the four rubber mounts to the frame brackets.
7. Remove the fasteners securing the rubber mounts to the muffler brackets.
8. Remove rubber mounts then muffler from underneath vehicle.
9. Remove parts which are attached to the muffler such as brackets and collar.
10. Inspect and replace parts if necessary. Reinstall parts on the new muffler.

For installation, reverse the removal procedure.

⚠ WARNING ⚠

Check connections for tightness and fasteners for proper assembly.

4. FLEXIBLE TUBE INSTALLATION

The flexible exhaust tube contains an inside rigid pipe. To allow appropriate flexibility for assembly, make sure that the rigid pipe is concentric to the flexible part.

To maintain the pipe centered at the time of installation, cardboard spacers must be inserted at four places at equal distance around tubing (Fig. 2). These spacers may be left in place and will deteriorate over time.

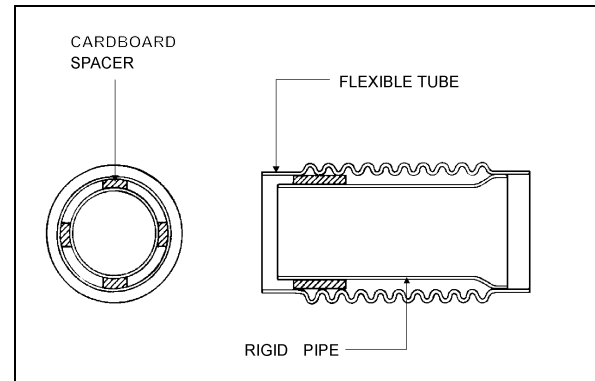


FIGURE 2: FLEXIBLE TUBE INSTALLATION 04003