

SECTION 23: ACCESSORIES

CONTENTS

1. HUBODOMETER	2
1.1 DESCRIPTION.....	2
1.2 OPERATION	2
1.3 REMOVAL	2
1.4 INSTALLATION	2
2. HORN INSTALLATION.....	2
2.1 ELECTRIC HORN MAINTENANCE.....	2
3. WINDSHIELD WIPERS AND WASHERS	2
3.1 GENERAL DESCRIPTION	2
3.2 WIPER ARM	3
3.2.1 <i>Wiper Arms Positioning</i>	3
3.3 WINDSHIELD WIPER MOTOR.....	4
3.3.1 <i>Windshield Wiper Motor Replacement</i>	4
3.4 TROUBLESHOOTING	5
4. AUTOMATIC FIRE SUPPRESSION SYSTEM (AFSS).....	6
4.1 PERIODIC MAINTENANCE	6
5. SPECIFICATIONS.....	8

ILLUSTRATIONS

FIGURE 1: HUBODOMETER.....	2
FIGURE 2: ELECTRIC HORN INSTALLATION	2
FIGURE 3: R.H. DASHBOARD PANEL	3
FIGURE 4: WINDSHIEL WASHER - WIPERS CONTROL.....	3
FIGURE 5: WINSHIELD WASHER RESERVOIR	3
FIGURE 6: WINDSHIELD WIPER INSTALLATION.....	3
FIGURE 7: WINDSHIELD WIPER (MOTOR SIDE)	4
FIGURE 8: WINDSHIELD WIPER (DRIVER SIDE)	4
FIGURE 9: DRIVING MECHANISM (DRIVER SIDE)	4
FIGURE 10: DRIVING MECHANISM (MOTOR SIDE)	4
FIGURE 11: WIPER ARMS POSITIONING	5
FIGURE 12: FIRE EXTINGUISHER INSTALLATION	7
FIGURE 13: NOZZLE BRACKETS IDENTIFICATION AND INSTALLATION.....	7

1. HUBODOMETER

1.1 DESCRIPTION

A wheel hubodometer (Fig. 1) has been installed on the R.H. side of the drive axle. It indicates the total distance in miles covered by the coach since it has left the factory, including road testing.

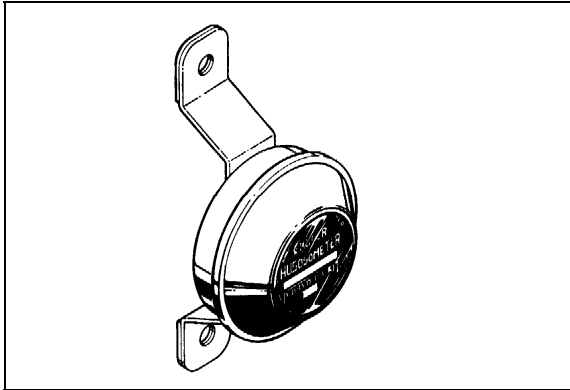


FIGURE 1: HUBODOMETER

23024

1.2 OPERATION

The hubodometer is calibrated for a specific wheel size (diameter). Wheel rotation causes a mechanism inside the hubodometer to record distance after a predetermined number of rotations. The unit should be serviced at a competent speedometer repair facility.

NOTE

Do not use paint, solvent or thinner on hubodometer face or on plastic hubcaps. Do not weld on hubodometer.

1.3 REMOVAL

To remove the unit, remove the two lock nuts and washers securing it to the wheel hub, and pull the unit off the studs.

1.4 INSTALLATION

Place the hubodometer unit over the wheel hub studs. Replace the lock washers and nuts. Torque stud nuts to 110-165 Lbf-ft-(150-225 Nm).

2. HORN INSTALLATION

The electric horn is located in a plastic box under the front stepwell and is accessible from the front body understructure. Refer to Operator's Manual for operation.

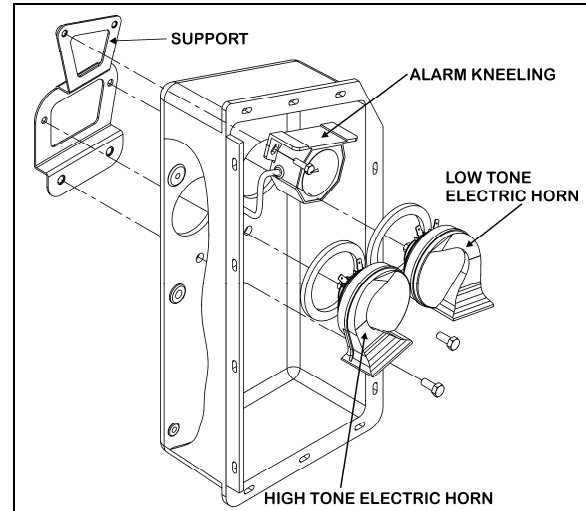


FIGURE 2: ELECTRIC HORN INSTALLATION

23420

2.1 ELECTRIC HORN MAINTENANCE

When needed, the electric horn can be serviced or replaced using the following procedure:

1. Raise vehicle by the jacking points;
2. Unplug the cable connector;
3. Loosen the retaining bolts;
4. Service or replace the defective horn;
5. Reinstall by reversing procedure.

3. WINDSHIELD WIPERS AND WASHERS

3.1 GENERAL DESCRIPTION

NOTE

When installing a wiper motor, arm or blade, follow recommended procedures to prevent misalignment, binding or malfunction. Check the windshield washer liquid hoses, fittings and connectors to be sure they are properly connected and seal with no restriction to the flow of washer liquid. Check that wiper arms have the proper sweep position and the washer nozzles are aimed so that spray is within the proper wiper pattern.

The windshield wipers are controlled by one electric wiper motor that is accessible for maintenance after removing the appropriate access panel beside the footwell (refer to figure 5).

The wiper/washer control button is located on the R.H. dashboard panel. Push the button to activate the windshield washer. Turn the button

to activate the wipers. The first position activates the wipers intermittently. The second position is the slow speed and the third position is for high speed wiping.

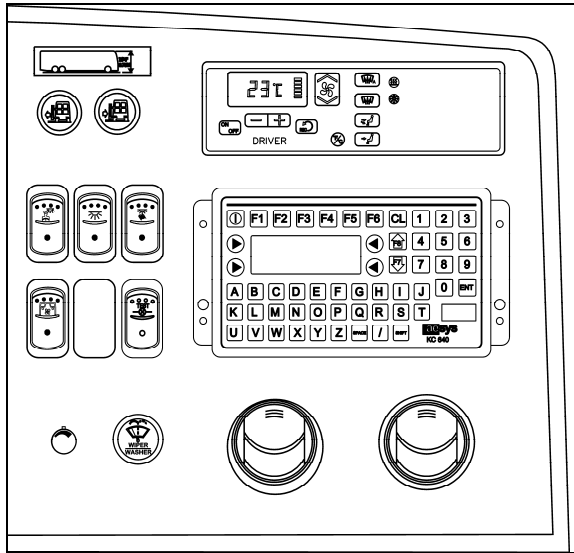


FIGURE 3: R.H. DASHBOARD PANEL



FIGURE 4: WINDSHIEL WASHER - WIPERS CONTROL²³¹³³

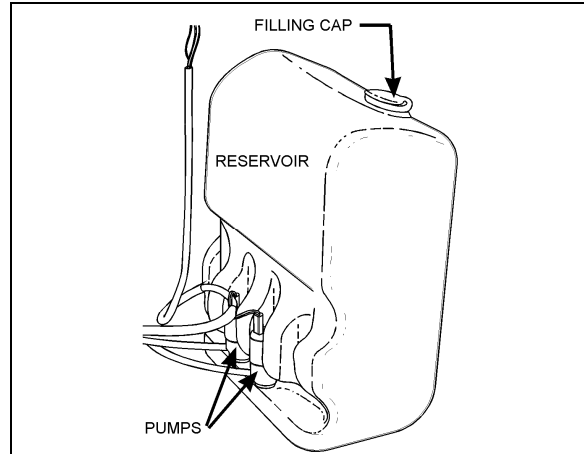


FIGURE 5: WINDSHIEL WASHER RESERVOIR ²³²²⁰

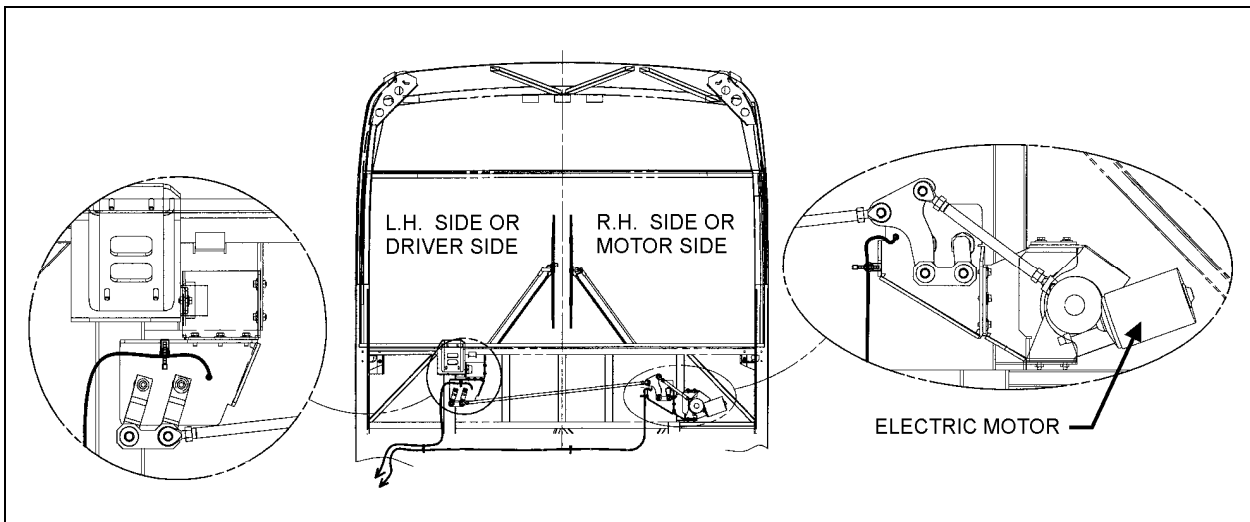


FIGURE 6: WINDSHIEL WIPER INSTALLATION

23287

The windshield washer reservoir is located in the front service compartment (Fig. 5). This unit pumps the washer liquid to the spray nozzles where it is dispersed across the windshield.

3.2 WIPER ARM

Check operation of the wipers for proper blade sweep and angle.

3.2.1 Wiper Arms Positioning

1. Reinstall the wiper arms and position as shown in figure 11. Before positioning the wipers at their final position, tighten the nuts to 9 Ft-lbs (12 Nm) at first.
2. To find the final position of the wiper arms, lift then release the wiper arm so it falls back on the windshield.



CAUTION

Do not attempt to manually move the wiper arms to make wiper blade sweep adjustments as damage to the wiper linkage or motor may occur. If it is necessary to adjust the sweep of blades, remove the arms and make adjustment by positioning the arms using serration on the wiper arm pivot shafts.

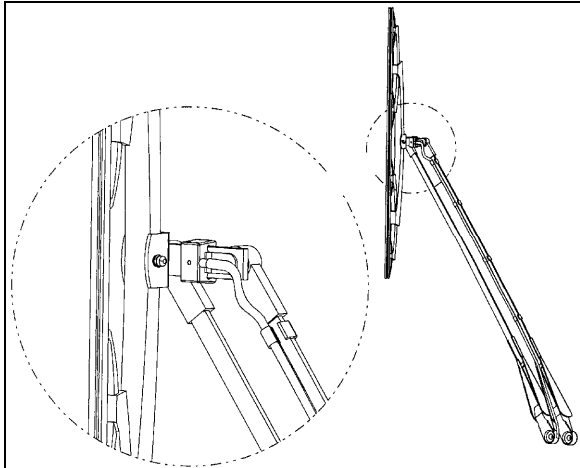


FIGURE 7: WINDSHIELD WIPER (MOTOR SIDE) 23329

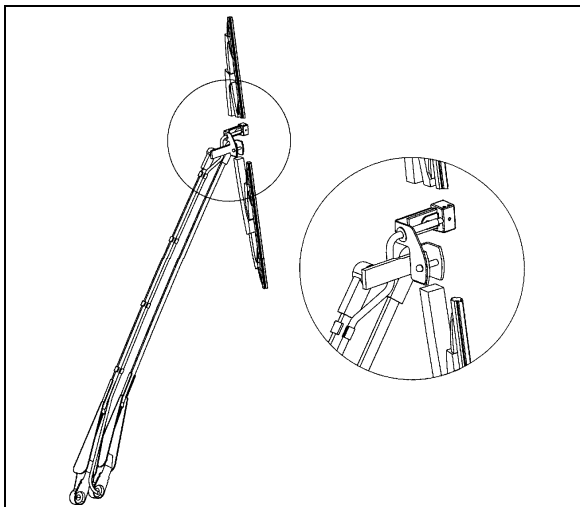


FIGURE 8: WINDSHIELD WIPER (DRIVER SIDE) 23328

3. When the final position is found, tighten the wiper arm nuts to 22 Ft-lbs (30 Nm). Wait 30 minutes and tighten again to 22 Ft-lbs.
4. Lower the protective cover.
5. Connect the windshield washer tubing at the base of the wiper arm.
6. Check the adjustment on a wet windshield.

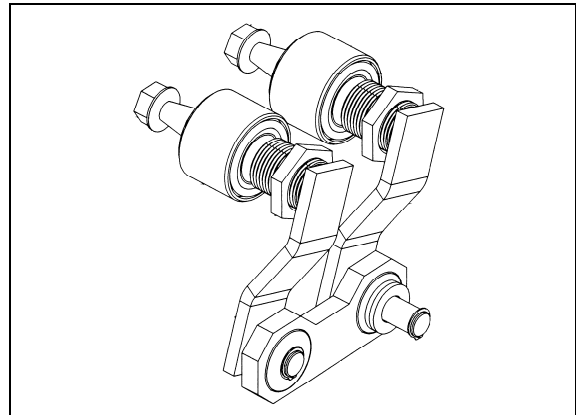


FIGURE 9: DRIVING MECHANISM (DRIVER SIDE) 23284

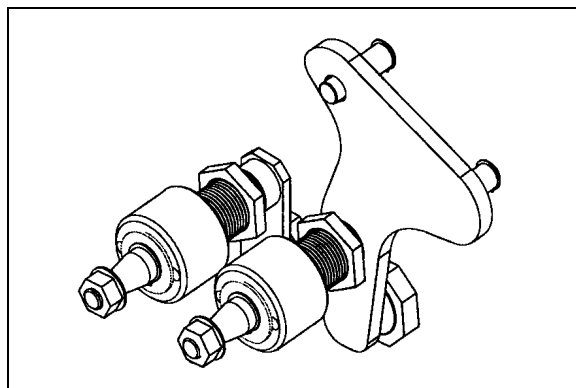


FIGURE 10: DRIVING MECHANISM (MOTOR SIDE) 23285

3.3 WINDSHIELD WIPER MOTOR

3.3.1 Windshield Wiper Motor Replacement

The windshield wiper motor is located at lower front of the vehicle, behind the defroster panel. Refer to figure 6 for motor location.



WARNING

Park vehicle safely, apply parking brake, stop engine and set battery master switch to the "OFF" position prior to working on the vehicle.

1. Remove the Phillips-head screws retaining the defroster panels, and remove panels.
2. Disconnect wiring connector from the windshield wiper motor.
3. Loosen clamping screw retaining the lever at the end of the motor driving shaft.
4. Remove the three bolts holding the motor to the steel plate.
5. Remove the windshield wiper motor (Prévost #800328), reverse removal procedure to reinstall.

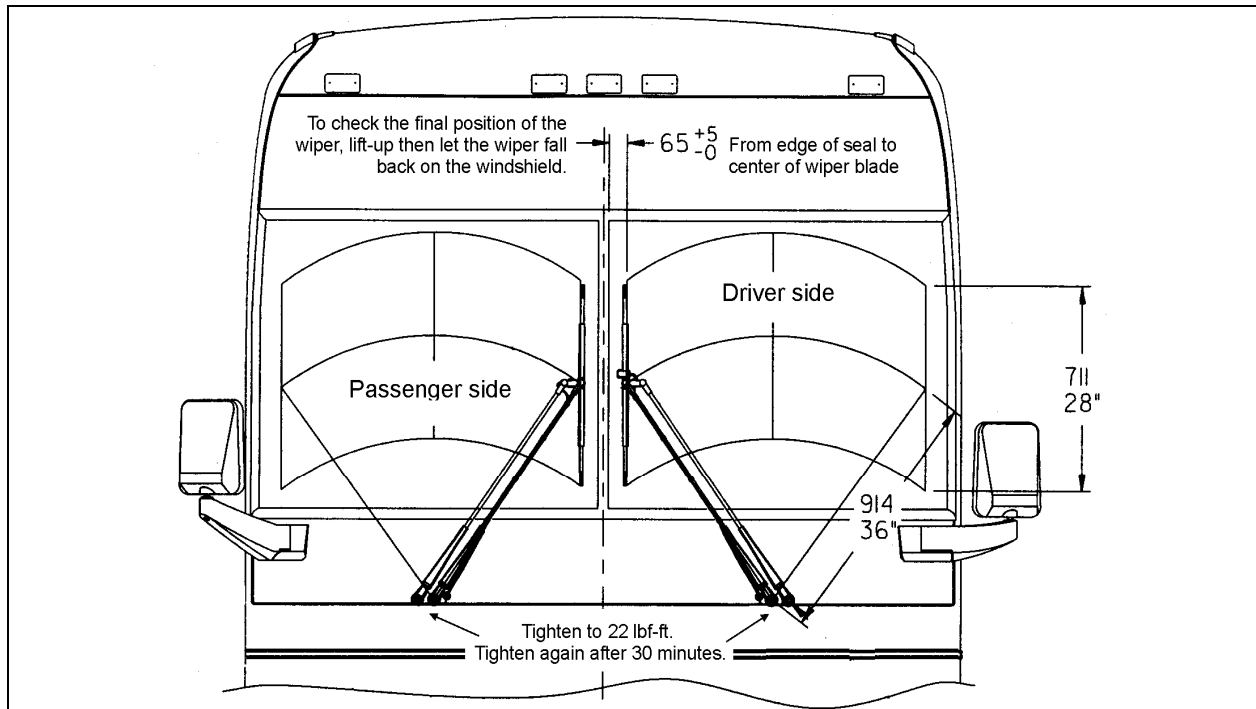


FIGURE 11: WIPER ARMS POSITIONING

23253

3.4 TROUBLESHOOTING

SYMPTOM	PROBABLE CAUSE	REMEDY
FAIL TO SPRAY WASHER FLUID	<ul style="list-style-type: none"> A. Reservoir empty. B. If below 32°F (0°C), improper washer fluid frozen. C. Contamination in tubing or nozzles. D. Tubing damage. E. Tubing bent (kinked) or off one or more connections. 	<ul style="list-style-type: none"> A. Add proper fluid. B. Store coach or parts in heated area, then purge system with low-temperature solution. C. Remove with compressed air, if severely clogged, replace items. D. Replace section. E. Realign tubing and/or refit. Trim end to ensure proper fit or replace.
INADEQUATE SPRAYING	<ul style="list-style-type: none"> A. Tubing failure. 	<ul style="list-style-type: none"> A. Replace tubing.
SLOW OPERATION	<ul style="list-style-type: none"> A. Improper solution. B. Jet stream improperly directed. C. Check if valve is stuck in the open position. 	<ul style="list-style-type: none"> A. Replace with proper type solution. B. Reposition nozzles. C. Remove, clean or replace.

4. AUTOMATIC FIRE SUPPRESSION SYSTEM (AFSS)

This system is used to shut down the engine and to extinguish a fire in the engine.

The system operation is fully automatic and does not require assistance from the operator, however if required, the system can be manually activated by the operator at any time.

Refer to Prevost Operator's Manual for system operation and operational sequence (fire).

If more information is needed on the system, please refer to Kidde Dual Spectrum "Operation & Maintenance Manual annexed at the end of this section.

4.1 PERIODIC MAINTENANCE

PRE-TRIP

- Verify that the Protection Panel "SYSTEM OK" lamp is on solid green.

EVERY 3000 MILES OR MONTHLY (whichever comes first)

General

- Verify that neither the protected equipment nor the hazard has changed.
- Verify that no obvious physical damage or condition exists that might prevent system operation.

Protection Panel

- Verify that all warning lamps and the audible alarm are operational by pressing the "TEST/RESET" button.

Manual Activation Switch

- Verify that the tamper seal is intact and access to the switch is unobstructed.

Fire Detectors

- Optical
 - Verify that the status lamp on the detector face is on solid green.
 - Verify that nothing is blocking the detector's field of view.
 - Verify that the windows on the face of the detector are free of excess contamination (dirt, oil, grease, etc.) – if necessary, clean using a water soaked non-abrasive towel.
- Linear Thermal
 - Verify that there is no obvious physical damage and that the unit is free of excess contamination (dirt, oil, grease, etc) – if necessary, clean using a water soaked non-abrasive towel.
 - Verify that mounting is secure and taught.

Electrical Harness

- Verify that electrical connectors and electrical wiring have no visible damage and all connectors are securely seated.

Extinguisher & Distribution System

- Verify that that the extinguisher pressure gauge pointer is in the green arc at room temperature.
- Verify that distribution piping and nozzles are intact and unobstructed and that nozzle blow-off caps are in place.

EVERY 18000 MILES OR SEMI-ANNUALLY (whichever comes first)

- Perform a comprehensive fire system test using a Kidde Dual Spectrum System Test Set (Optical Test Kit P/N 420871-2).
- Service the extinguisher in accordance with KDS Document 160296, "KDS Pre-Engineered Fire Suppression System: Installation, Operation and Maintenance Manual".

EVERY SIX YEARS

- Have the fire extinguisher rebuilt by a qualified fire protection equipment company familiar with Kidde Dual Spectrum equipment and in accordance with KDS Document 160296, "KDS Pre-Engineered Fire Suppression System: Installation, Operation and Maintenance Manual". Rebuilt shall include actuator, o-ring seals and dry chemical replacement.

EVERY TWELVE YEARS

- Have the Extinguisher cylinder hydrostatically tested by a qualified fire protection equipment company familiar with Kidde Dual Spectrum equipment and in accordance with KDS Document 160296, "KDS Pre-Engineered Fire Suppression System: Installation, Operation and Maintenance Manual".

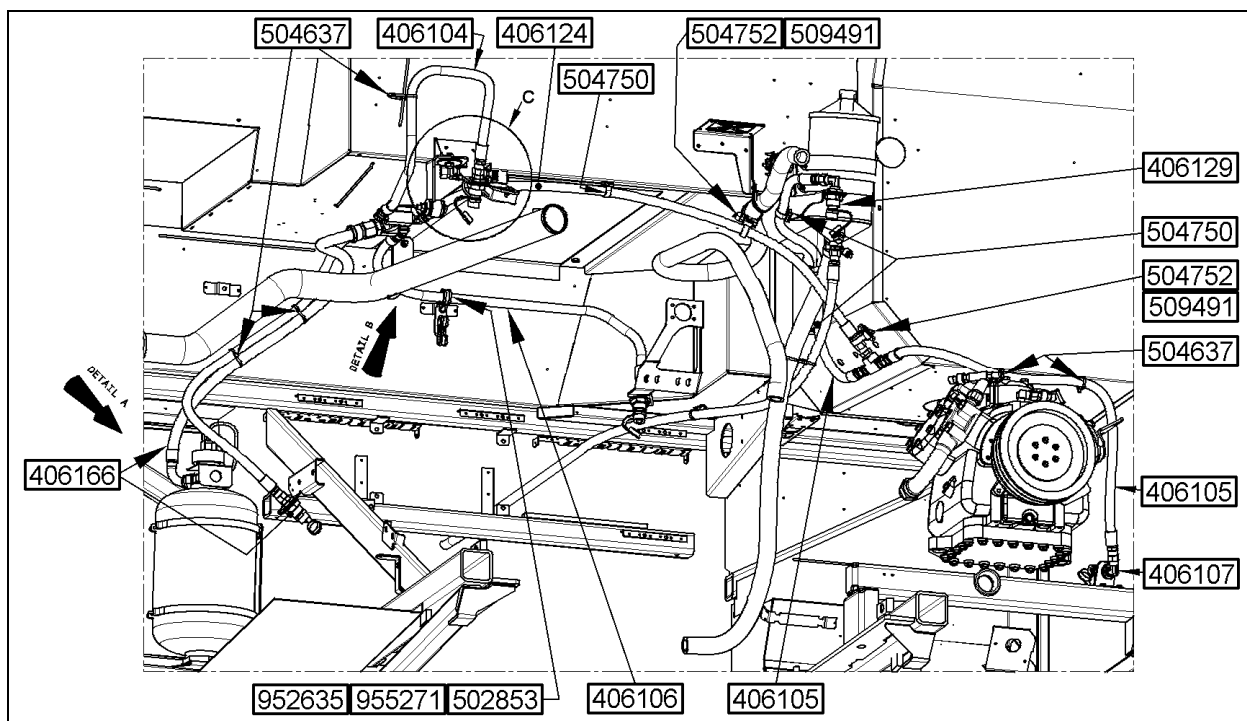


FIGURE 12: FIRE EXTINGUISHER INSTALLATION

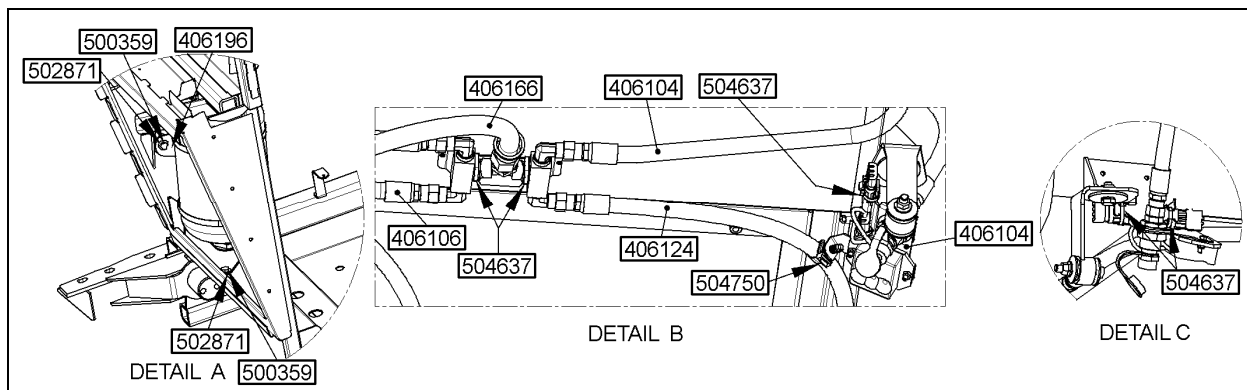


FIGURE 13: NOZZLE BRACKETS IDENTIFICATION AND INSTALLATION

5. SPECIFICATIONS

HUBODOMETER (US model: miles)

Make..... Stemco
Prévost number 650002

ELECTRIC HORN (HIGH)

Make..... FIAMM TECHNOLOGIES INC.
Prévost number 563023

ELECTRIC HORN (LOW)

Make..... FIAMM TECHNOLOGIES INC.
Prévost number 563015

WINDSHIELD WIPER MOTOR

Make..... BOSCH
Prévost number 800328

WIPER (BLADE)

Make..... BOSCH
Prévost number 800329

WIPER ARM

Make..... BOSCH
Prévost number 800331