

Driver's Handbook

Driver's seat

B13R

VOLVO

Foreword

This manual contains information concerning the operation and function of the driver's seat. The information in this manual applies to vehicles built January 2009 and later. Please keep this manual in the vehicle at all times.

Note: Illustrations in this manual are used for reference only and may differ slightly from the actual vehicle. However, key components addressed in this document are represented as accurately as possible.

The National Highway Traffic Safety Administration (NHTSA) and Volvo Trucks North America should be informed immediately if you believe that the vehicle has a defect that could cause a crash, injury or death.

Contact NHTSA by calling the Auto Safety Hotline at 1 (888) 327-4236, by writing to NHTSA, U.S. Department of Transportation, Washington, DC 20590, by TTY at 1 (800) 424-9153, or visit their website at www.nhtsa.dot.gov.

Volvo Bus Corporation

Göteborg, Sweden

Order number: 89008116

©2009 Volvo Bus Corporation, Göteborg, Sweden

All rights reserved. No part of this publication may be reproduced, stored in retrieval system, or transmitted in any forms by any means, electronic, mechanical, photocopying, recording or otherwise, without the prior written permission of Volvo Bus Corporation

Contents

Introduction	1
Important Notes.....	1
Adjusting the Seat Settings	2
Raising and Lowering the Seat	2
Adjusting the Cushion's, Rear Section.....	2
Setting the Distance from the Steering Wheel.....	3
Adjusting the Seat Backrest Position.....	3
Adjusting the Armrests.....	4
Adjusting the Lumbar Backrest	4
Safety Belt	5

Safety Information

IMPORTANT: Before driving this vehicle, be certain that you have read and that you fully understand each and every step of the driving and handling information in this manual. Be certain that you fully understand and follow all safety warnings.

IT IS IMPORTANT THAT THE FOLLOWING INFORMATION BE READ, UNDERSTOOD AND ALWAYS FOLLOWED.

The following types of advisories are used throughout this manual:

DANGER

Danger indicates an unsafe practice that could result in serious personal injury or death. A danger advisory banner is in **white** type on a **black** background with a **black** border.

WARNING

Warning indicates an unsafe practice that could result in personal injury. A warning advisory banner is in **black** type on a **gray** background with a **black** border.

CAUTION

Caution indicates an unsafe practice that could result in damage to the product. A caution advisory is in **black** type on a **white** background with a **black** border.

Note: Note indicates a procedure, practice, or condition that must be followed in order for the vehicle or component to function in the manner intended.

Important Notes

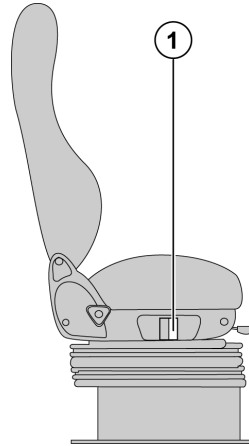
Do not use the seat before you have read these instructions on how to use it. Keep this manual in the vehicle at all times. With road traffic and passengers safety in mind, only perform adjustments to the seat when the bus is at a standstill.

2 Adjusting the Seat Settings

The National 60848 seat is designed with a wide range of adjustment options. The seat controls for adjusting the seat may be located on the left or right-hand side of the seat.

Raising and Lowering the Seat

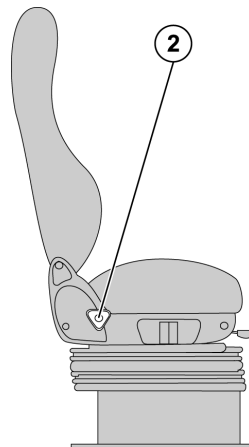
To make getting up, down or getting out from the drivers position easier the seat has a quick-lowering function. If control **(1)** is pressed downwards, the seat lowers making it easier to get up, down and out of the drivers position. If control **(1)** is pressed upwards, the seat rises to the drivers preferred position.



T0015365

Adjusting the Cushion's, Rear Section

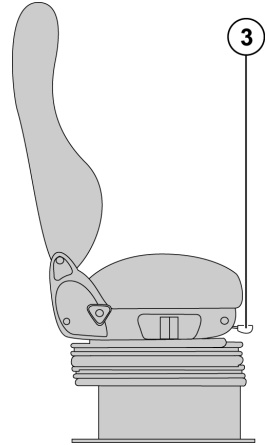
If the knob **(2)** is turned in either direction, the cushion's rear section raises up or moves down.



T0015366

Setting the Distance from the Steering Wheel

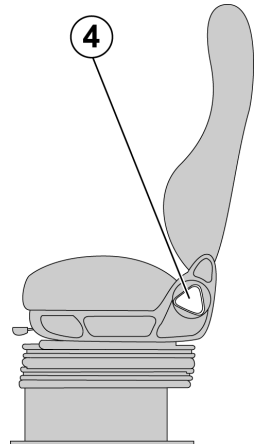
To move the whole seat forward or backward, push the lever (3) to the left then move the seat up to the desire position and release the lever to lock the seat again.



T0015367

Adjusting the Seat Backrest Position

Twist the knob (4) counterclockwise to move the backrest forward or turn the knob clockwise to move the backrest backward.

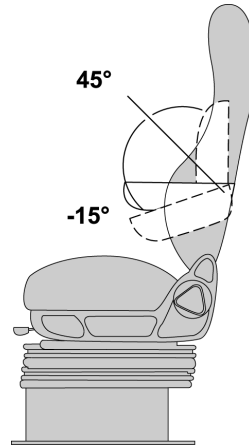


T0015368

4 Adjusting the Seat Settings

Adjusting the Armrests

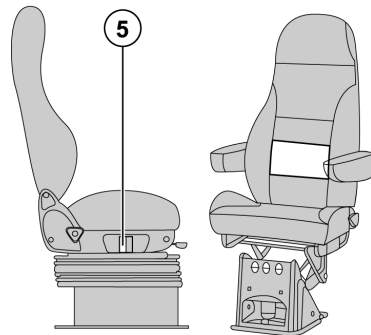
The seat has two armrests, one attached on either sides. To make sitting down or getting up easier, the armrest can be tilted fully vertical. The armrests have an adjust range from 15° to 45°. To adjust the armrest angle, pull it up to the top position then down to its bottom position. From the down position, lift the armrest up to the desire position.



T0015369

Adjusting the Lumbar Backrest

By pulling the control (5) upward, the lumbar pressure increases while pushing down decreases pressure. When the control is released, the lumbar backrest is set.



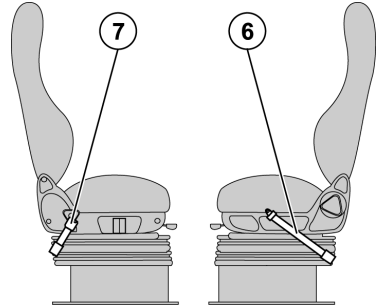
T0015370

Safety Belt

For security, always use the safety belt.

Two points safety belt

Cross the belt from the right (7) side to the left side (6) and insert the latch into the buckle on the left side an audible click is heard, verify proper lock of the latch by pulling on the latch. Safety belt should be worn low across the pelvic region (hip bone) and adjusted snugly.



T0015371



DANGER

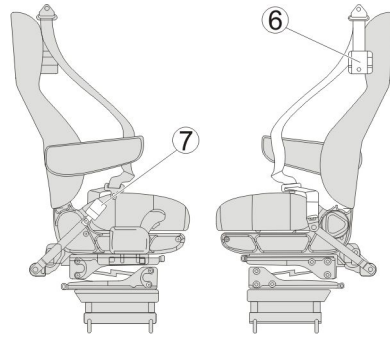
Never place the shoulder belt behind your back or under your arm.

A push button on the buckle is used to release the safety latch, by pushing in the button release the on the buckle

6 Adjusting the Seat Settings

Three point safety belt

To fasten the safety belt, pull the belt out from the retractor (6) and insert the latch into the buckle (7) an audible click is heard, verify proper lock of the latch by pulling on the latch. Adjust the slack by pulling on the top part of the belt until the lower part that crosses the lap, is snugly adjusted, release the top part and let the retractor pull the belt in. One lap portion of the safety belt should be worn low across the pelvic region (hip bone) and adjusted snugly, the other part of the safety belt should be worn over the shoulder and cross the chest, away from the neck.



T0064067

DANGER

Never place the shoulder belt behind your back or under your arm.

A push button on the buckle is used to release the safety latch, by pushing in the button release the on the buckle

VOLVO

Volvo Bus Corporation

Göteborg, Sweden