

**UTILITY COMPARTMENTS .....2**

**MICROPHONE JACKS .....2**

**STEERING WHEEL ADJUSTMENT.....2**

**AISLE MIRROR.....2**

**ADJUSTABLE HVAC REGISTERS .....2**

**USCC DRIVER’S SEAT .....3**

    ADJUSTMENT..... 3

**SAFETY BELTS ..... 5**

**PASSENGER SEATS .....5**

    PASSENGER SEAT BELT ..... 6

*ELR/ALR Retractor Lock Mode ..... 6*

**SEAT RECONFIGURATION FOR MOBILITY DEVICES ..... 6**

***SEATED to STOWED position ..... 7***

***STOWED to SEATED position ..... 8***

**4-POINT SECUREMENT WITH ANCHORAGE TO PASSENGERS SEAT PEDESTALS ..... 9**

***Wheelchair Occupant Restraint..... 9***

**OVERHEAD CONSOLE .....9**

    ADJUSTABLE AIR REGISTERS..... 10

    SERVICE BELL..... 10

    READING LIGHTS..... 10

    PANORAMIC WINDOWS ..... 10

*Fixed Windows ..... 10*

*Emergency Windows..... 10*

*Window Sun Shades..... 11*

    DRIVER’S POWER WINDOW ..... 11

    DRIVER’S SUNSHADES ..... 11

**VENTILATION / EMERGENCY EGRESS HATCH .....11**

**OVERHEAD COMPARTMENTS .....12**

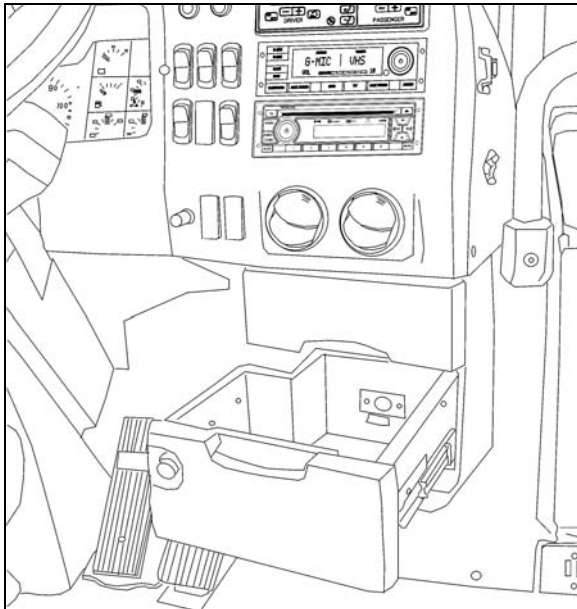
**WASTE CONTAINER.....12**

**LAVATORY.....12**

## 3-2 Coach Interior

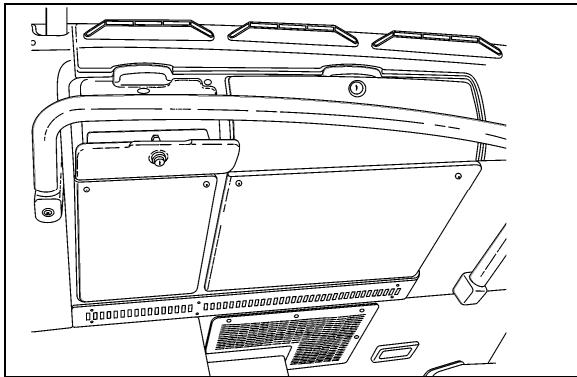
### UTILITY compartments

Two lockable utility compartments are located at the base of the windshield. Another utility compartment is located on the console, and includes a 12 volt appliance socket.



UTILITY COMPARTMENT IN CONSOLE

18669



UTILITY COMPARTMENTS

18602

### MICROPHONE JACKS

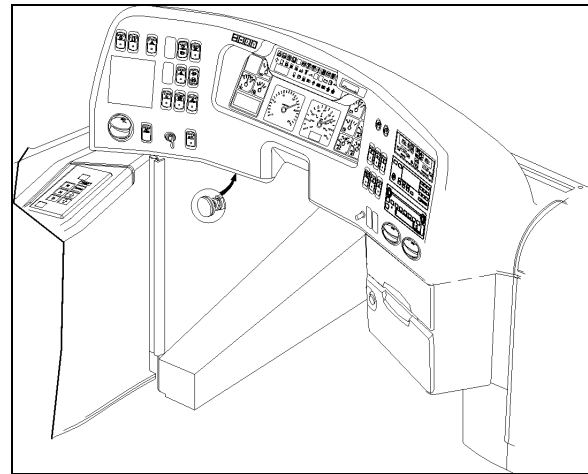
Up to six microphone jacks for the PA system can be located in the following locations:

- On the side wall of the driver's control panel;
- On the right hand side of the dashboard;
- One optional outlet for the tour guide on each of the modesty panels;
- One optional outlet on the lavatory wall, behind the last row of seats;

- One optional outlet under the overhead storage compartment, at the rear of the coach.

### STEERING WHEEL ADJUSTMENT

Push on the valve button located in the foot-operated control housing to unlock the steering wheel for tilt and telescopic adjustment (refer to "Controls and Instruments" chapter).



TILT AND TELESCOPIC ADJUSTMENT

18670



### DANGER

Do not adjust the steering wheel while driving. Loss of control could result. Park the vehicle safely and apply parking brakes before adjusting the steering wheel.

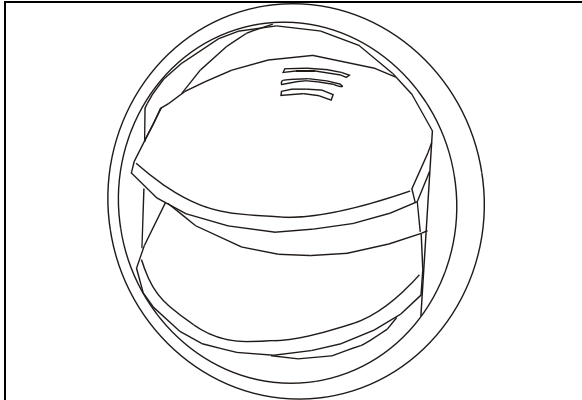
### AISLE MIRROR

A central mirror allows the driver to see in the aisle. Adjust mirror manually.

### ADJUSTABLE HVAC REGISTERS

The HVAC system has adjustable registers to control air flow around the driver's area. Three are located on the dashboard; two on the R.H. side and one on the L.H. (refer to Controls & Instruments chapter). Another one is located close to the door, below the modesty panel wall for step de-icing. The direction and volume of air flow are adjustable manually.

Use the HVAC control panel to set air temperature.



AIR REGISTER

22249

### USCC DRIVER'S SEAT

The coach is equipped with a USCC 9100ALX air suspension seat.



#### **DANGER**

The driver's seat must be adjusted to allow the driver easy access to the coach controls. Never adjust seat while driving vehicle as this could result in loss of vehicle control.



#### **DANGER**

Make sure that seat is adjusted and that safety belt is buckled up before driving vehicle.

### ADJUSTMENT

Seat can be adjusted to the desired driving position by following the instructions listed below.

**USSC MODEL 9100ALX  
OPERATOR INSTRUCTIONS**

**(1) BACKREST LUMBAR, BOLSTER & AIR SLIDE RELEASE**  
TOP LUMBAR  
MIDDLE LUMBAR  
BOTTOM LUMBAR  
AIR SLIDE RELEASE (FRONT/BACK)

**(2) HEIGHT ADJUSTMENT**  
← PUSH IN TO REINFLATE  
→ PULL OUT TO LOWER

**(3) HEADREST**  
TILT HEADREST FORWARD  
UP  
HEIGHT  
DOWN

**(4) BACK RECLINE**

**(5) SEAT TILT**

**(6) MANUAL FORE/AFT**  
↑ PULL UP TO MOVE

**DRIVER'S SEAT ADJUSTMENT (USSC)**

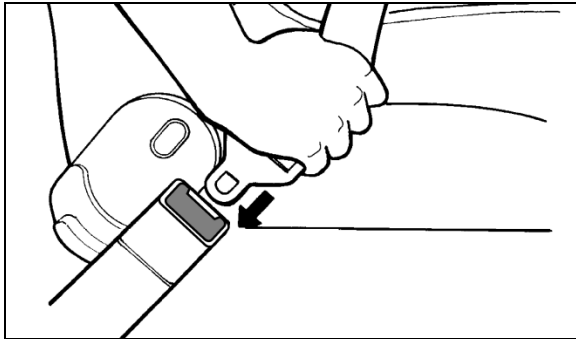
- 1) **BACKREST LUMBAR SUPPORT:** Air lumbar switches are located on the switch box on the side of the seat. Pushing the switches increases or decreases the amount of lumbar support.  
  
**SLIDE (AIR SLIDE):** Air slide release button is located on the switchbox that controls the seat lumbar. Press the red button to release the slides, move the seat to the desired location and release the button. Slides will automatically lock in place.
- 2) **SEAT HEIGHT ADJUSTMENT:** The seat has five (5) inches of vertical height adjustment. Seat height adjustment knob is located on the front left edge of the seat cushion. Pulling the knob out releases air pressure, this decreases height. Pushing the knob in increases the seat height.
- 4) **HEADREST:** Pull the headrest up to raise. Push the headrest down while pushing the lock release button to lower.
- 4) **SEAT BACK RECLINE KNOB:** Rotate knob to adjust back angle.
- 5) **SEAT TILT:** This seat cushion angle can be adjusted eight (8) degrees by turning the seat tilt knobs located in the center of the seat cushion. Seat tilt is independent of seat height adjustment. This allows full tilt range at all seat heights.
- 6) **SLIDE (MANUAL FORE/AFT):** The entire seat can be adjusted 6.25-11.8 inches front to back. Raising the slide handle located at the seat front below the rubber bellow releases the lock and lets the seat move front/back.

## SAFETY BELTS

The driver's seat is equipped with a 3-point retractable safety belt.

To fasten, pull seat belt out of the retractor and insert the latch plate into the buckle until it clicks.

No special adjustment is required since the reel device is self-adjusting. If seat belt operation becomes defective, report to maintenance personnel immediately.



FASTENING SEATBELT

18028

### NOTE

*The safety belt must be pulled out slowly and continuously, otherwise it will lock the reel before the latch plate reaches the buckle. If this happens, allow the belt to retract completely and repeat the procedure correctly.*



## WARNING

A snug fit with the lap belt positioned low on the hips is necessary to maximize driver safety. The belt should not be worn twisted. Avoid pinching belt and/or belt hardware in seat mechanism. Do not wear belt over rigid or breakable objects, such as eyeglasses, pens or keys as these may cause injuries.

To unfasten belt, press the release button in center of buckle and allow belt to retract. If the belt does not fully retract, pull it out and check for kinks or twists. Make sure that it remains untwisted as it retracts.

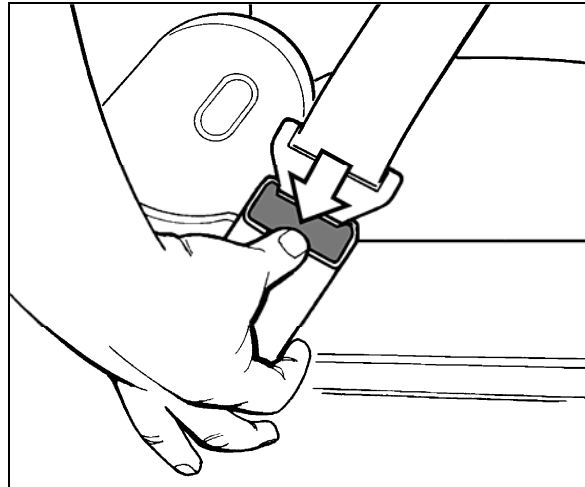


## WARNING

Most State and Provincial laws require that safety belts be worn when they are supplied with the seat.

### NOTE

*The vehicle is equipped with a belt detection system; a warning alarm will be heard if the vehicle is moving above 3 mph (5 km/h) with the safety belt unfastened.*



UNFASTENING SEATBELT

18029



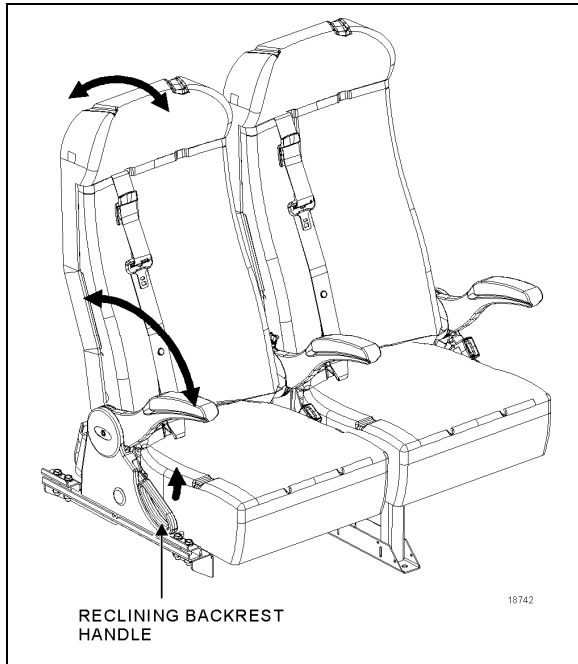
## CAUTION

Never bleach or dry clean safety belt.

## PASSENGER SEATS

The seat layout accommodates 50 seated passengers. Passenger seats may be equipped with cup holders, 110-V electrical outlets and footrests.

## 3-6 Coach Interior



### PASSENGER SEAT EQUIPMENT

Passenger seat backrests can be reclined by lifting the reclining backrest handle. Lift and hold the handle, then adjust backrest to the desired angle. Release the handle to lock backrest in position.

A folding armrest is installed on the aisle side of the passenger. Another folding armrest is located between the two seats and can be raised for passenger convenience.

### PASSENGER SEAT BELT

Passengers are strongly advised to wear seat belts at all times. Children can use a passenger seat belt as long as they are large enough to properly wear the seat belt. The shoulder belt must be correctly positioned over the child's shoulder and it must not touch the neck or lie below the shoulder.

To fasten, pull seat belt out of the retractor and insert the latch plate into the buckle until it clicks. No special adjustment is required since the retractor device is self-adjusting. If the seat belt operation becomes defective, report to maintenance personnel immediately.

### ELR/ALR Retractor Lock Mode

Passenger seat belts are equipped with switchable ELR/ALR retractor lock mode:

- **Emergency Locking Retractor (ELR) mode:** Allows the seat belt to extend and retract to allow passengers some freedom of movement in the seat. Locks only when the vehicle or occupant slows quickly/abruptly or stops suddenly. **Will not secure a child safety seat.**
- **Automatic Locking Retractor (ALR) mode:** Locks and maintains a fixed seat belt (lap belt) length during use. The belt cannot be extended further. **For use with a child safety seat.**



### CHILD RESTRAINT SYSTEMS

**Occupants under 40" height must use Child Seat / Booster**

The seat belts are equipped with switchable ELR/ALR retractor lock mode.

Activate the ALR retractor lock mode to hold a child restraint system by pulling the shoulder belt all the way out. Allow it to retract to desired length. Check that the belt straps are fully tightened and the retractor / webbing is locked.

*Note: Unbuckling the belt and allowing it to retract fully deactivates the ALR retractor*

Failure to use the ALR lock mode will result in the child safety seat not being properly secured.

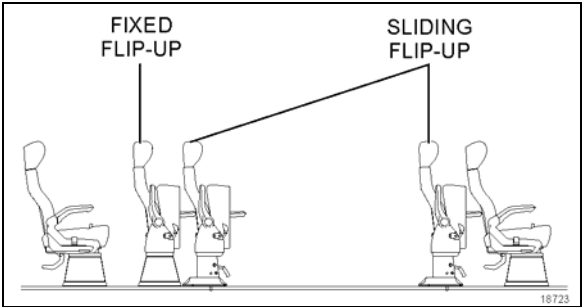
When using a **booster seat**, do not pull the shoulder belt all the way out. Doing so would engage the ALR lock mode which is not recommended with booster seat.

Install the child seat/booster according to the manufacturer's instructions.

### SEAT RECONFIGURATION FOR MOBILITY DEVICES

The layout features four (4) sliding, flip-up, and two (2) fixed flip-up, two-passenger seats.

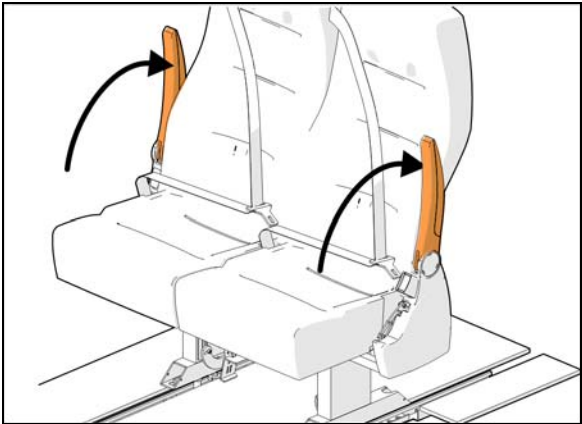
They are placed in the center section for easy reconfiguration to accommodate mobility devices.



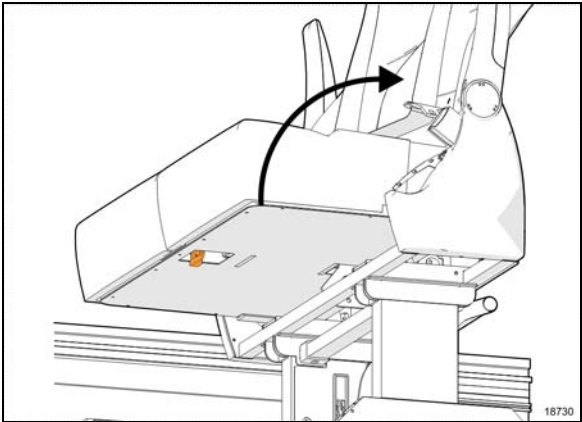
SEAT RECONFIGURATION

**SEATED to STOWED position**

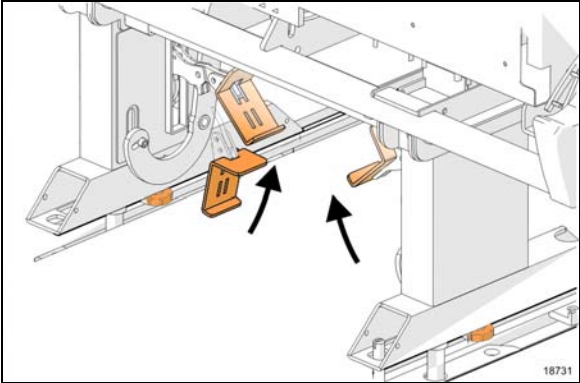
- Fold up the armrests.



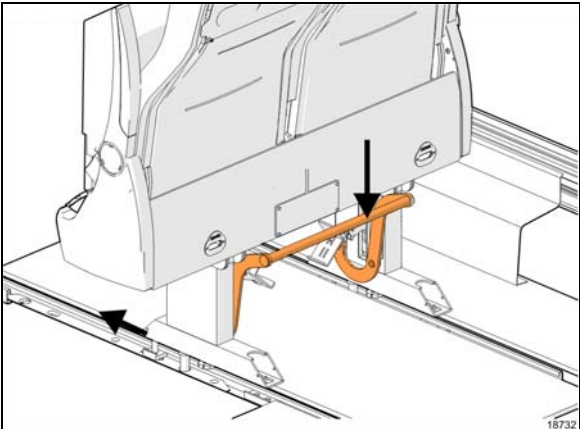
- A cushion latch lever is located underneath the cushion. To flip the seat cushions up, pull lever and rotate the cushion up.



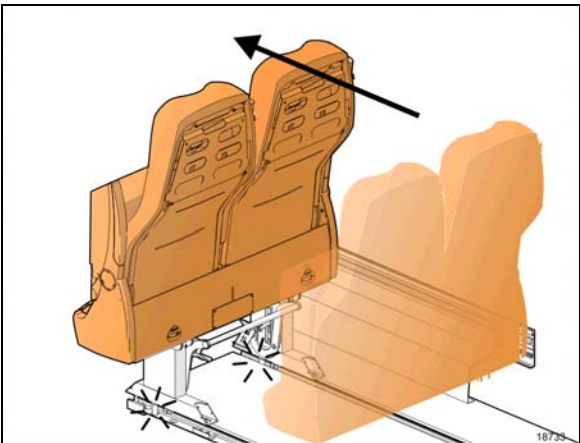
- With your foot, lift both levers located under the seat.



- Proceed to the back of the seat.
- With your foot, depress and hold the release bar. Move the seat a few inches away on the rails then release bar. This action lifts the stowing plunger from the receptacle in the rail and places it in the flat section of the rail.

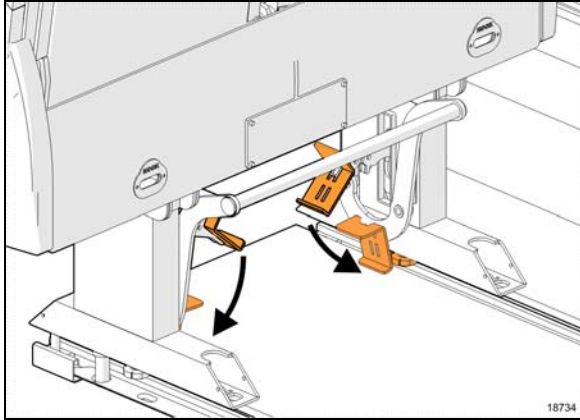


- Move the seat straight along the rails to the stowed position using handle if pulling or lower portion of backrest if pushing. When seat reaches stowed position, plungers will click down and you will feel the seat stop.



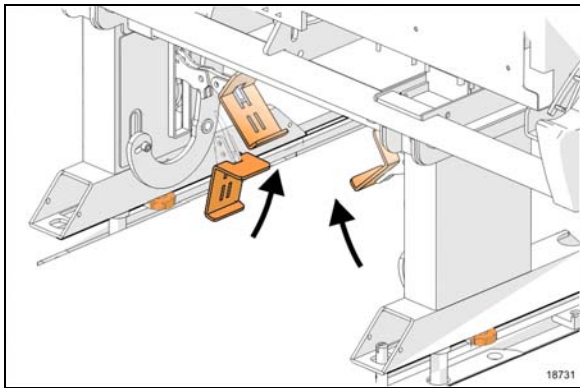
- With your feet, depress both levers located under the seat.

### 3-8 Coach Interior

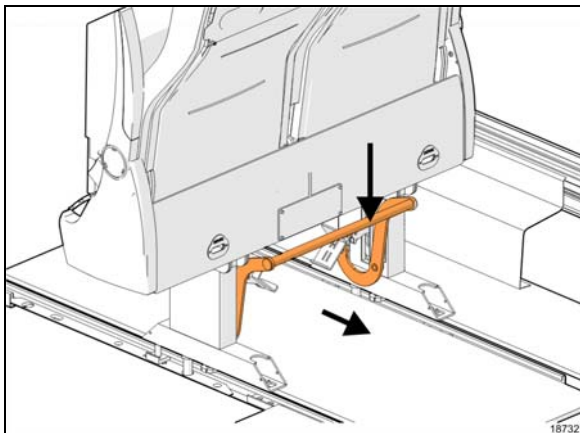


#### STOWED to SEATED position

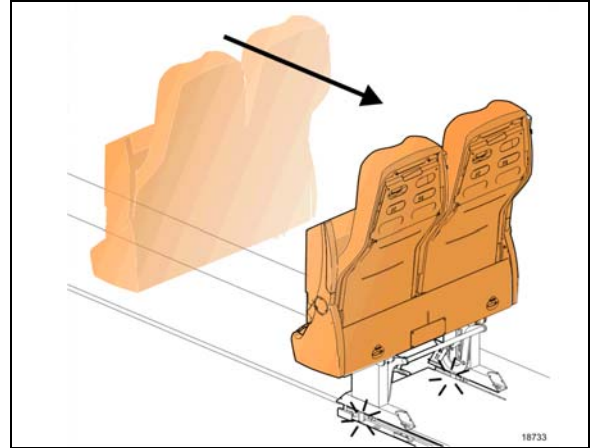
- With your feet, lift both levers located under the seat.



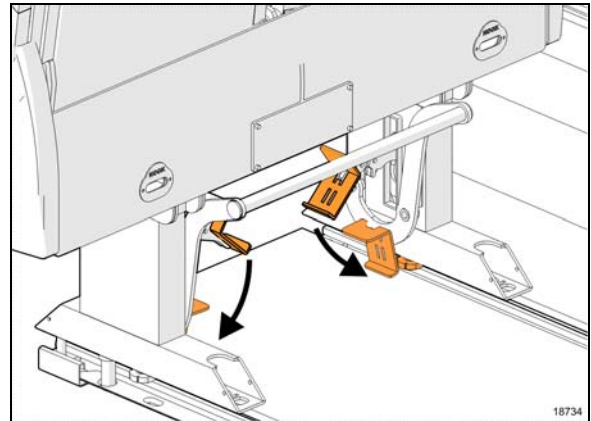
- With your foot, depress and hold the release bar. Move the seat a few inches away on the rails then release bar.



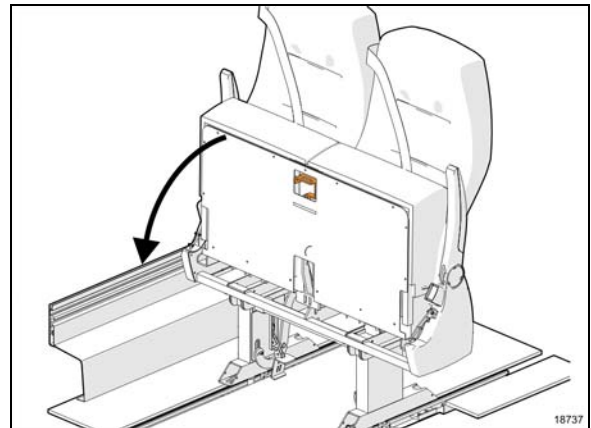
- Move the seat straight along the rails to the stowed position using handle if pulling or lower portion of backrest if pushing. When seat reaches stowed position, plungers will click down and you will feel the seat stop.



- With your feet, depress both levers located under the seat.



- Lower the seat cushions by pulling lever and rotating the cushion down.



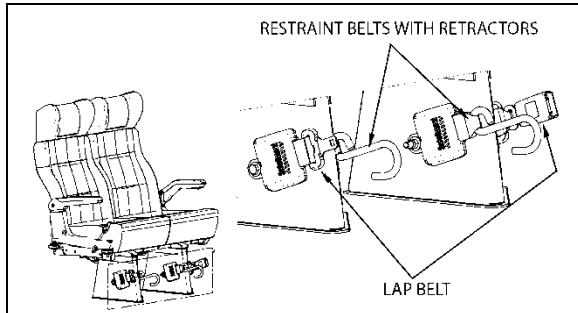
Passengers boarding with mobility devices will need scooter belts for proper securement. Four (4) belts are included in the bus for this purpose.



#### 4-POINT SECUREMENT WITH ANCHORAGE TO PASSENGERS SEAT PEDESTALS

This securement system includes:

- 4 wheelchair restraint belts and retractors with anchorage to passengers seat pedestals.
- Occupant securements: lap and shoulder belt.



WHEELCHAIR AND OCCUPANT RESTRAINT SYSTEM

To secure the wheelchair, four restraint belts must be used (at all four corners). Hook one wheelchair restraint belt to each corner of the wheelchair frame (**not the wheels**) and allow the retractors to tension the belts.

To remove the restraint belts, push down on the tension release lever found on the retractor. Unhook the wheelchair and allow the belts to retract. Guide the belts in, making sure they remain untwisted as they retract.

#### Wheelchair Occupant Restraint

Secure the wheelchair occupant in the following manner:

Fasten and adjust the lap belts so it sits snug across the hips. Make sure that you place the lap belt buckle on the center aisle side. Fasten the shoulder belt by inserting the lap belt tab into the shoulder belt buckle. A retractor adjusts shoulder belt length automatically.



#### WARNING

A snug fit with the lap belt positioned low on the hips is necessary to maximize safety. The belt should not be worn or twisted. Avoid pinching the belt and/or hardware. Do not wear over rigid or breakable objects such as eyeglasses, pens or keys as these may cause injuries.

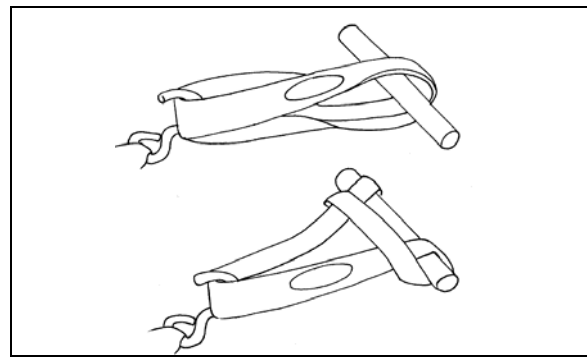


#### CAUTION

The safety belt buckle provided with the red release button must always be located on the center aisle side.

To unfasten the belts, press the red release button on the shoulder belt buckle first and then unfasten the lap belt by pressing the red release button on the lap belt buckle.

Use the blue webbing loops whenever the wheelchair restraint belt hook cannot reach a stiff member of the wheelchair chassis.

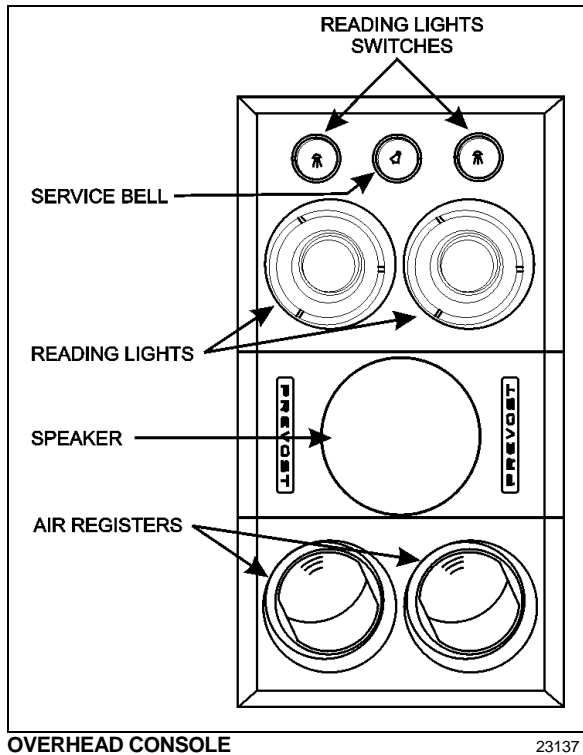


TYPICAL USE OF THE BLUE WEBBING LOOPS

#### OVERHEAD CONSOLE

One airplane type overhead console is installed above each row of twin seats to provide a total of 107 ft<sup>3</sup> (3.0 m<sup>3</sup>) of storage capacity. Such amenities as reading lights, air vents and an optional service bell are controlled from this panel.

## 3-10 Coach Interior



### ADJUSTABLE AIR REGISTERS

Manually adjustable registers located on the overhead console provide air flow to the passengers. Air flow can be directed, passengers can orient individual registers by rotating the nozzle. To adjust air flow, passengers must open or close the flaps. Activation of the fans is done by depressing a rocker switch on the dashboard. Refer to Controls & Instruments chapter.

### SERVICE BELL

Pressing the service button on the overhead console will illuminate the button providing a visual cue for service personnel and, if activated, will sound a chime in the driver's area. The chime system is activated by a rocker switch located on the dashboard. Refer to Controls & Instruments chapter. Passengers may also use the chime system to request a stop for disembarking. Press the service button a second time to cancel the service request. To adjust the chime volume level, refer to "CONTROLS & INSTRUMENTS" chapter under Audiovisual Controller.

### READING LIGHTS

Reading lights are mounted underneath the overhead storage compartments. Depressing a rocker switch located on the dashboard (refer to Controls & Instruments chapter) will activate the reading light circuit and allow passenger control of reading lights. Turning the key or ignition lever to the accessory position "ACC" when the reading lights are on will activate the lights to full intensity, providing a clear view over the entire cabin area.

### WINDOWS

The coach is equipped with frameless flush-mounted "Galaxsee" windows all around and a split-window windshield for maximum visibility.

### PANORAMIC WINDOWS

Some double pane (thermopane) side windows are of the fixed type; they are bonded to the structure and cannot be opened. Others side windows can be easily opened to serve as emergency exits.

#### Fixed Windows

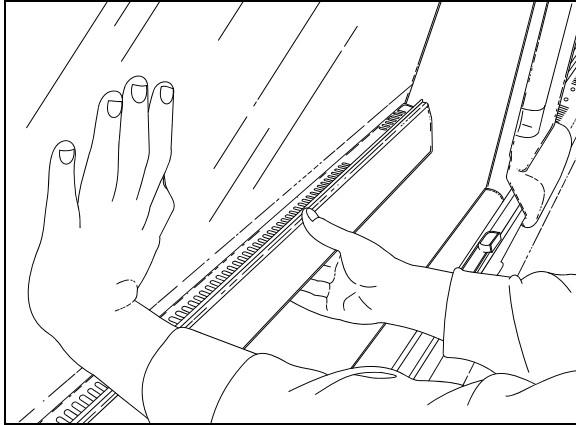
These windows are bonded to the structure and form an integral part of the body of the vehicle, helping reduce vibration and noise. Fixed windows cannot be opened.

#### Emergency Windows

These windows can be opened from inside the vehicle as emergency exits. A decal on window sills indicates the location of the emergency windows. To open an emergency window, lift the window release bar (sill) and push the window open from the bottom.

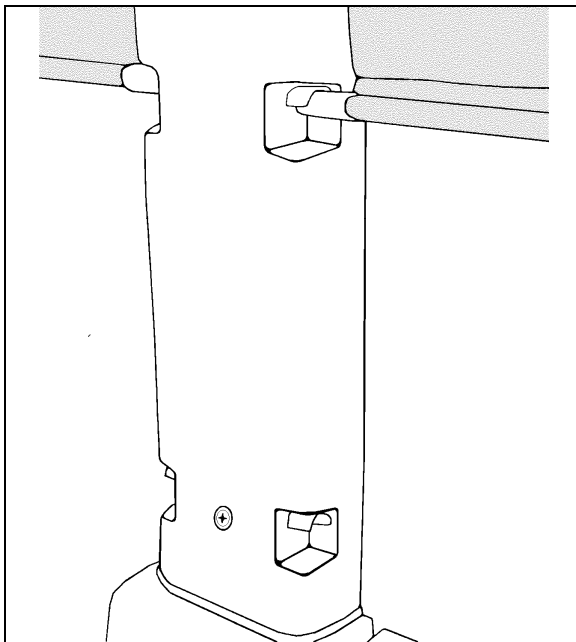
To close, lift the release bar and pull the window into position. Push down on release bar to lock the window shut.

For more information on emergency features, refer to "Safety Features and Equipment" chapter.



EMERGENCY WINDOW OPENING 18391

**Window Sun Shades**



PULL DOWN SUN SHADES 18374

Passenger windows may be equipped with pull-down sun shades. To operate, pull down the shade and insert the hem into the first or second catch. To retract pull out from the slots and guide the shade back up.

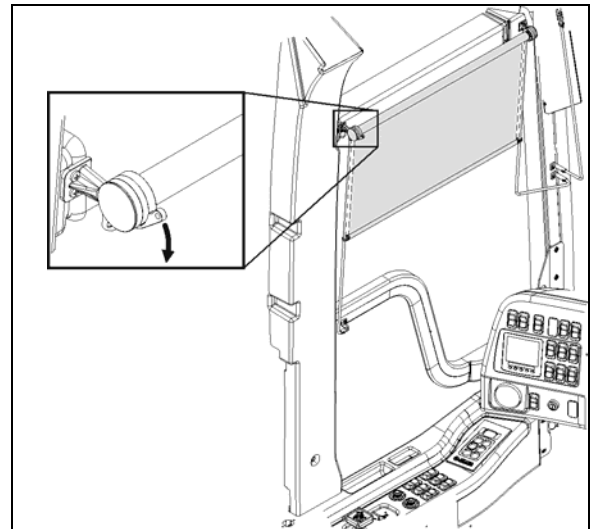
**DRIVER'S POWER WINDOW**

The driver has a power window on his left side. This window is controlled by a rocker switch located on the lateral control panel. Refer to "Controls and Instruments" chapter.

**DRIVER'S SUNSHADES**

This vehicle is provided with a spring release type sunshade on the driver's left side window. To operate, pull down the sunshade by its hem to the appropriate position and release. It will remain in position. To raise, depress the unlocking lever and guide the sunshade back up using the other hand.

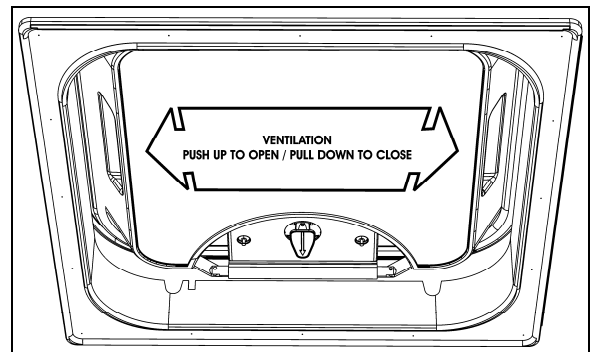
Two other spring release type sunshades are installed at the top of the windshields. These sunshades can be opened and closed manually.



SPRING RELEASE SUNSHADE 23019\_2

**VENTILATION / EMERGENCY EGRESS HATCH**

Roof ventilation / emergency egress hatches are installed in the ceiling at the front and the rear of the coach. To open the hatch, push up with both hands and pull down to close. The ventilation hatch can be completely opened for emergency egress. Refer to "Safety Features and Equipment" chapter.



VENTILATION HATCH

## 3-12 Coach Interior



### WARNING

Be aware of coach overhead clearance when traveling under overpasses with the ventilation hatch(es) open. Check for maximum clearance height.

## OVERHEAD COMPARTMENTS

Passenger carry-on baggage is stored in overhead compartments on each side of the coach. A first aid kit is located in the first front curb side overhead storage compartment. An optional video cassette player and a CD player may be installed in the first front driver's side overhead storage compartment.

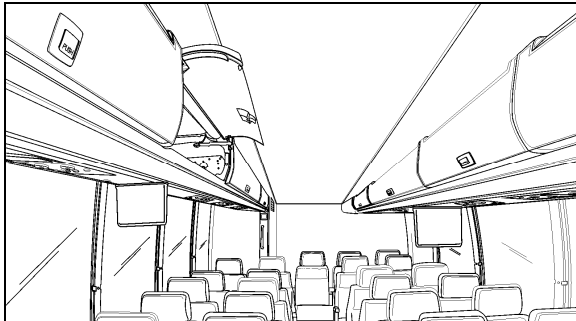
To open the optional closed overhead storage compartments, push the handle in to release the latch, then let go. A pressurized cylinder opens the door.

### NOTE

The overhead storage compartments have a minimum amount of separators installed so as to quicken inspection for forgotten objects.

### NOTE

An optional lock can be installed on the first front driver's side overhead storage compartment door.



OVERHEAD STORAGE COMPARTMENTS

18603

## WASTE CONTAINER

The waste container is located on the lavatory wall, and is accessible through an opening on each side of the wall.



WASTE CONTAINER

## LAVATORY

The lavatory is located in the rear curb side corner of the coach. It is equipped with a chemical flush toilet, bathroom tissue dispenser, mirror and waste container access.

A movement detector will automatically illuminate a fluorescent light inside the lavatory and two outside signs to indicate occupation. One sign is located on the outer wall of the lavatory and another sign is located over the windshield. A telltale light on the dashboard will also illuminate to inform the driver when the lavatory is occupied.

If emergency assistance is required, the lavatory occupant can actuate a buzzer that will sound in driver's area. The buzzer's push-button is located just below the toilet flush button.

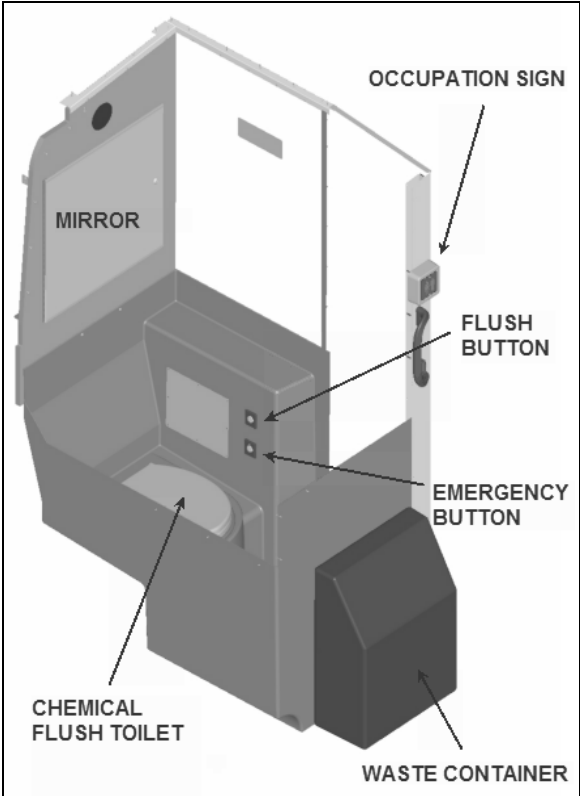


FLUSH AND EMERGENCY CALL BUTTONS

The lavatory has its own ventilation system that operates only when the ignition switch is in the "ON" position.

**NOTE**

This fan runs constantly when the ignition switch located on the dashboard is in the "ON" position.



LAVATORY

23235\_1

