

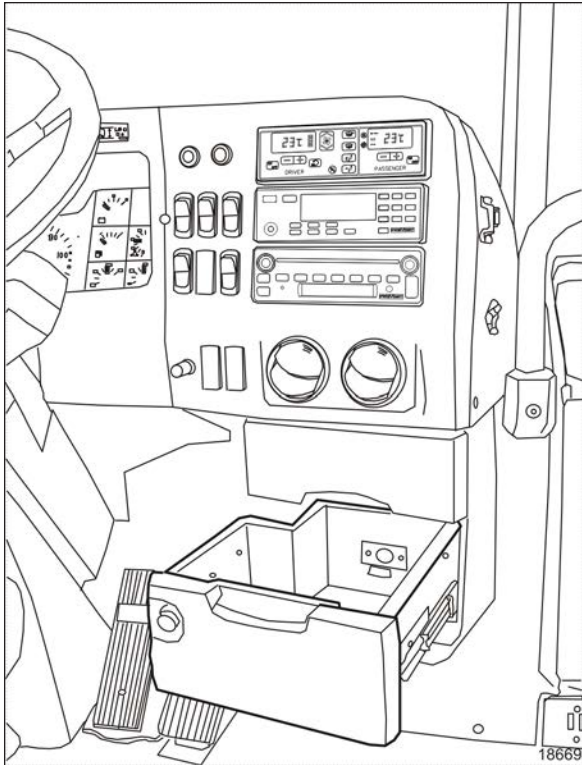
# SECTION 3

<b>UTILITY COMPARTMENTS</b> .....	<b>2</b>
<b>DRIVER'S PERSONAL COMPARTMENTS</b> .....	<b>2</b>
<b>MICROPHONE JACKS</b> .....	<b>2</b>
<b>STEERING WHEEL ADJUSTMENT</b> .....	<b>3</b>
<b>INTERIOR MIRRORS</b> .....	<b>3</b>
<b>ADJUSTABLE HVAC REGISTERS</b> .....	<b>3</b>
<b>DRIVER'S SEAT - ISRI</b> .....	<b>3</b>
MECHANICAL ISRI SEAT .....	3
PNEUMATIC ISRI SEAT .....	5
<b>DRIVER'S SEAT – USSC 9100ALX</b> .....	<b>5</b>
<b>DRIVER SEAT BELT</b> .....	<b>5</b>
<b>PASSENGER SEATS</b> .....	<b>6</b>
PASSENGER SEAT BELT .....	6
FOLDING TRAYS .....	7
SWIVEL SEATS .....	7
<b>TABLES</b> .....	<b>8</b>
<b>OVERHEAD CONSOLE</b> .....	<b>8</b>
ADJUSTABLE AIR REGISTERS .....	8
SERVICE CHIME .....	9
READING LIGHTS .....	9
<b>WINDOWS</b> .....	<b>9</b>
PANORAMIC WINDOWS .....	9
DRIVER'S POWER WINDOW .....	10
<b>DRIVER'S WINDOW SHADES</b> .....	<b>10</b>
<b>VENTILATION HATCH</b> .....	<b>10</b>
<b>OVERHEAD COMPARTMENTS</b> .....	<b>10</b>
<b>WASTE CONTAINER</b> .....	<b>11</b>
<b>GALLEY</b> .....	<b>11</b>
<b>LAVATORY</b> .....	<b>11</b>

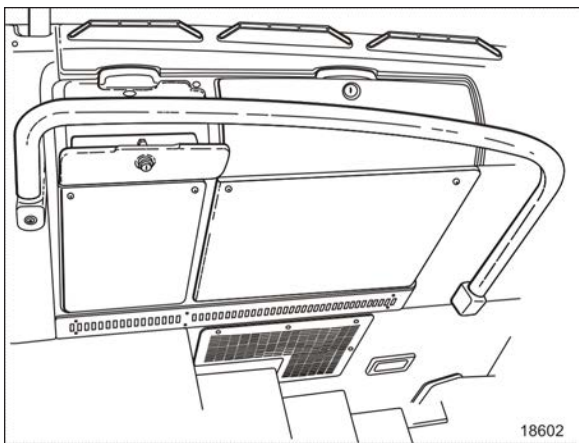
## 3-2 Coach interior

### UTILITY COMPARTMENTS

Two lockable utility compartments are located at the base of the windshield. Another utility compartment is located on the console, and includes a 12 volt appliance socket.



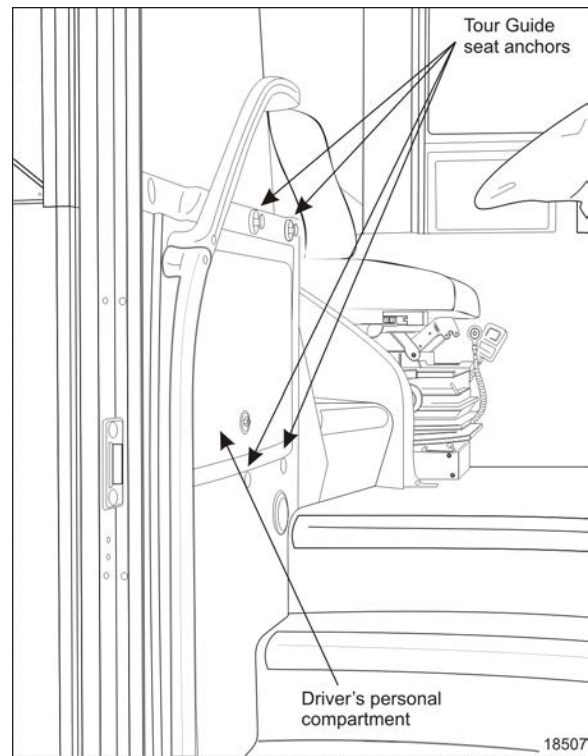
UTILITY COMPARTMENT IN CONSOLE



UTILITY COMPARTMENTS

### DRIVER'S PERSONAL COMPARTMENTS

A lockable compartment for the driver is located on the L.H. side of the entrance stepwell. This compartment may be locked using the appropriate key. A tour guide seat is available as an option and is installed in front of the driver's compartment using the securing devices as shown hereafter.



DRIVER'S PERSONAL COMPARTMENT

The last compartment is located on the lateral control panel. It is lockable and equipped with a 12-volt appliance socket. To open this compartment, you must first depress the lock.

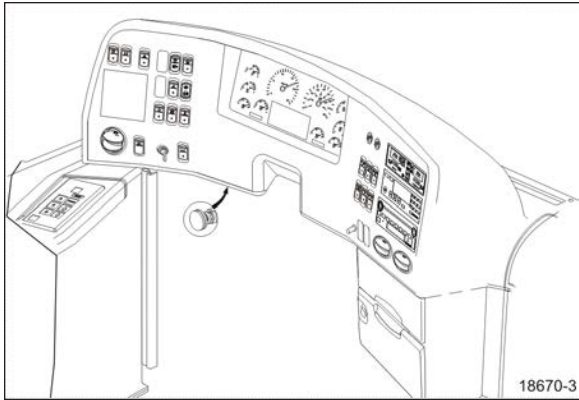
### MICROPHONE JACKS

Up to six microphone jacks for the PA system can be located in the following locations:

- On the side wall of the driver's control panel;
- On the right hand side of the dashboard;
- One optional outlet for the tour guide on each of the modesty panels;
- One optional outlet on the lavatory wall, behind the last row of seats;
- One optional outlet under the overhead storage compartment, at the rear of the coach.

## STEERING WHEEL ADJUSTMENT

Push on the valve button located in the foot-operated control housing to unlock the steering wheel for tilt and telescopic adjustment (refer to ["FOOT-OPERATED CONTROLS" on page 7](#) in Controls and Instruments chapter).



TILT AND TELESCOPIC ADJUSTMENT

### DANGER

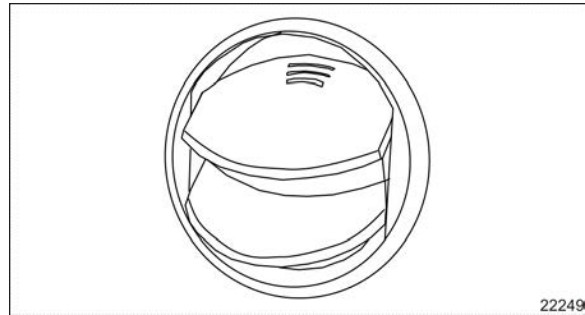
Do not adjust the steering wheel while driving. Loss of control could result. Park the vehicle safely and apply parking brakes before adjusting the steering wheel.

## INTERIOR MIRRORS

Two manually adjustable mirrors are located in the driver's area. The mirror in the upper left corner helps eliminate the blind spot on the R.H. side of the coach. Adjust it to see through the R.H. side trapezoidal window. A central mirror allows the driver to see in the aisle. Adjust mirror manually.

## ADJUSTABLE HVAC REGISTERS

Use the HVAC control panel to set air temperature (refer to ["HVAC CONTROL UNIT" on page 22](#) in Controls & Instruments chapter).



DASHBOARD AIR REGISTER

## DRIVER'S SEAT - ISRI

The vehicle can be equipped with one of two models of ISRI driver's seats. Mechanically adjusted seat and pneumatic model are available. Both seats are equipped with safety belts. Lumbar supports, heated cushions and adjustable armrests are optional.

### DANGER

The driver's seat must be adjusted to allow the driver easy access to the coach controls. Never adjust seat while driving vehicle as this could result in loss of vehicle control.

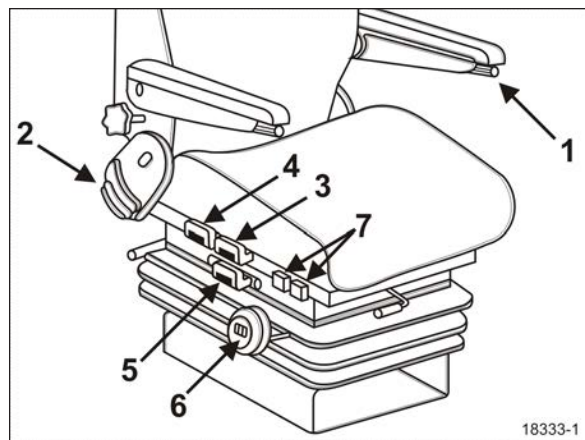
### DANGER

Make sure that seat is adjusted and that safety belt is buckled up before driving vehicle.

## MECHANICAL ISRI SEAT

### Adjustment

Seat can be adjusted to the desired driving position by following the instructions listed below:



DRIVER'S SEAT ADJUSTMENT (MECHANICAL)

## 3-4 Coach interior

### Armrest

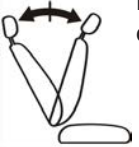


The driver's seat can be equipped with two folding armrests.

To lower the armrest:

- Turn control knob #1 (refer to figure: Driver's seat adjustment (mechanical)) counter-clockwise without applying pressure on the armrest
- Push the armrest down.
- Repeat procedure until desired position is reached.

### Backrest



Lift lever #2 then adjust backrest to the desired angle.

### Tilt (front)



To lower or raise the seat's front section, pull handle #3 up and push or pull the seat cushion.

### Tilt (rear)



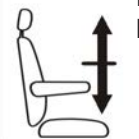
To lower or raise the seat's rear section, pull handle #4 up and push or pull the seat cushion.



### WARNING

To avoid pinching the fingers between buckle and controls, lower safety belt buckle before adjusting seat height

### Up and Down



Pull both handles (3 and 4) up to adjust height of the seat.

### Fore and Aft



To adjust distance between driver and dashboard, pull handle #5 up and slide the seat forward or backward.

### NOTE

*Fore-and-aft seat adjustment control may also be located at the front of the seat.*

### Suspension



For maximum mechanical suspension performance, rotate handwheel #6 until your body weight (in pounds) is shown on the indicator.

The seat suspension resistance can be changed to suit the driver. Turn handwheel clockwise to increase suspension resistance and counter-clockwise to decrease resistance.

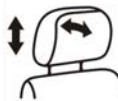
### Lumbar Support



To inflate the upper lumbar support bellows, depress the front rocker switch #7 upward. To deflate, depress the rocker switch downward.

Follow the same procedure to inflate and deflate the lower bellows using the rear rocker switch.

### Headrest

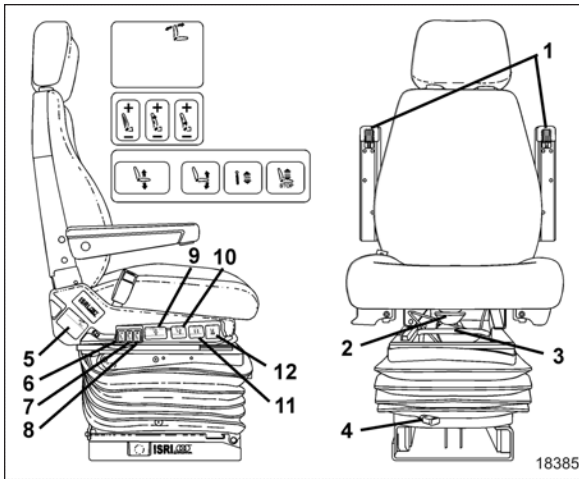


The headrest can be adjusted forward, rearward and vertically by 2 inches (50 mm). Directly move headrest to desired position.



### DANGER

For best protection, position headrest behind your head, not behind your neck.

**PNEUMATIC ISRI SEAT****PNEUMATIC DRIVER'S SEAT****(1) Armrest**

Rotate control knob to select desired arm-resting angle. When not in use, raise armrest parallel with backrest.

**(2) Seat Cushion**

Provides optimum comfort and support for any driver size. Adjustable to 50 mm (2 inch) length.

**(3) Fore-and-aft**

Pull handle up and slide seat forwards or backwards to adjust distance between seat and dashboard.

**(4) Isolator**

Reduces horizontal vibration, ensuring smooth ride.

**(5) Backrest**

Lift lever to select proper angle of backrest.

**(6) Air Side Bolster**

Offers desired side support to avoid body side-way.

**(7) (8) Air Lumbar**

Provides back support with upper and lower settings, ensuring comfort during lengthy sitting.

**(9) Air Height Adjustment**

Moves seat up or down independently of other seat settings. 100 mm (4 inch) total travel.

**(10) Adjustable Seat Recline**

Allows easy adjustment of four-setting inclination.

**(11) Adjustable Shock Absorber**

Choose stiff or soft ride infinitely.

**(12) Quick Air Release**

Exhausts all air from suspension, allowing for easy entry/exit. Returns seat to previous position.

**DRIVER'S SEAT – USSC 9100ALX**

The coach can be equipped with USSC 9100 ALX air suspension seat. This seat is equipped with 3-point safety belts, lumbar supports, dual shock suspension damping and quick dump air release. This seat also features adjustable headrest.

**DANGER**

The driver's seat must be adjusted to allow the driver easy access to the coach controls. Never adjust seat while driving vehicle as this could result in loss of vehicle control.

**DANGER**

Make sure that seat is adjusted and that safety belt is buckled up before driving vehicle.

**DRIVER SEAT BELT**

The driver's seat is equipped with a retractable safety belt as required by State, Provincial and Federal regulations.

**WARNING**

A snug fit with the lap belt positioned low on the hips is necessary to maximize driver safety. The belt should not be worn twisted. Avoid pinching belt and/or belt hardware in seat mechanism. Do not wear belt over rigid or breakable objects, such as eyeglasses, pens or keys as these may cause injuries.

**CAUTION**

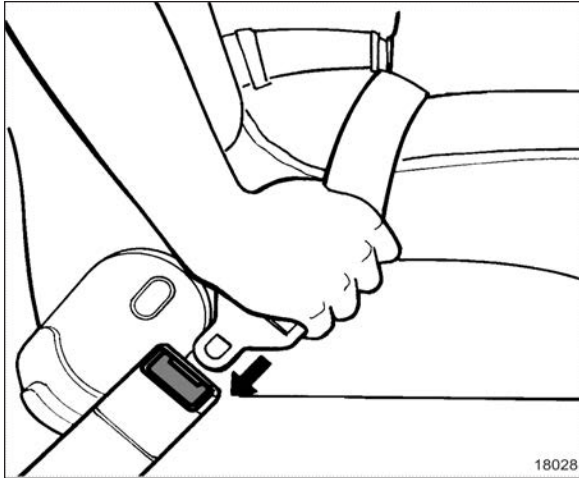
Never bleach or dry clean safety belt.

To fasten, pull seat belt out of the retractor and insert the latch plate into the buckle until it clicks. No special adjustment is required since the reel device is self-adjusting. If seat belt operation becomes



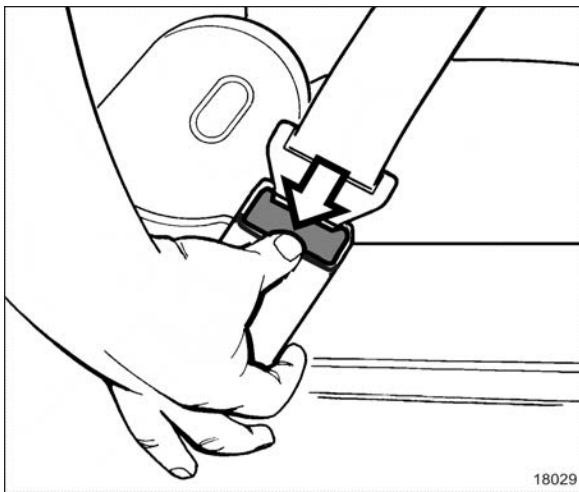
### 3-6 Coach interior

defective, report to a Prevost Car service center immediately.



**TO FASTEN SEATBELT**

To unfasten belt, press the red button in center of buckle and allow belt to retract. If the belt does not fully retract, pull it out and check for kinks or twists. Make sure that it remains untwisted as it retracts.



**TO UNFASTEN SEATBELT**



#### **WARNING**

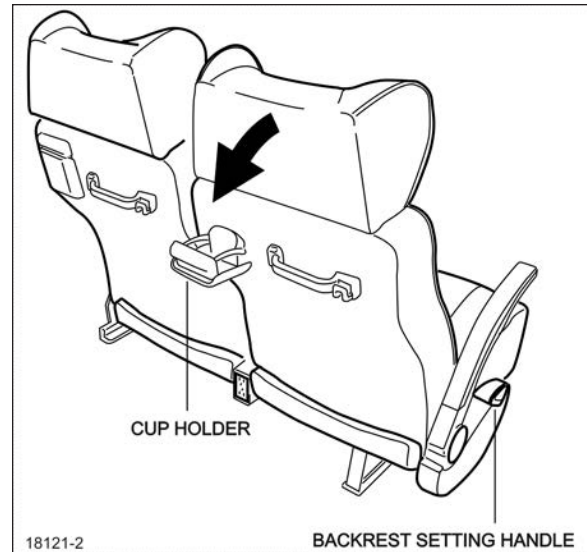
Most State and Provincial laws require that safety belts be worn when they are supplied with the seat.

#### **NOTE**

*The safety belt must be pulled out slowly and continuously, otherwise it will lock the reel before the latch plate reaches the buckle. If this happens, allow the belt to retract completely and repeat the procedure correctly.*

### **PASSENGER SEATS**

Passenger seats may be equipped with grip handles, newspaper holders, trays, cup holders and footrests.



**PASSENGER SEAT**

All seats are track-mounted so that the seating configuration can be changed. Each set is mounted on rectangular aluminum bases to make cleaning between the base and side wall easier.

Passenger seat backrests can be tilted by using the push-button located on the base of the seat. Depress and hold push-button, then adjust backrest to the desired angle. Release the push-button to lock backrest in position.

A folding armrest is installed on the aisle side of the passenger. Another folding armrest is located between the two seats and can be raised for passenger convenience. A fixed armrest is installed on the window side of the seat.

### **PASSENGER SEAT BELT**

Passengers are strongly advised to wear seat belts at all times. Children can use a passenger seat belt as long as they are large enough to properly wear the seat belt. The shoulder belt must be correctly positioned over the child's shoulder and it must not touch the neck or lie below the shoulder.

To fasten, pull seat belt out of the retractor and insert the latch plate into the buckle until it clicks. No special adjustment is required since the retractor device is self-adjusting. If the seat belt operation becomes defective, report to maintenance personnel immediately.

### ELR/ALR Retractor Lock Mode

Amaya passenger seat belts are equipped with switchable ELR/ALR retractor lock mode:

- Emergency Locking Retractor (ELR) mode: Allows the seat belt to extend and retract to allow passengers some freedom of movement in the seat. Locks only when the vehicle or occupant slows quickly/abruptly or stops suddenly. Will not secure a child safety seat.
- Automatic Locking Retractor (ALR) mode: Locks and maintains a fixed seat belt (lap belt) length during use. The belt cannot be extended further. For use with a child safety seat.



### CHILD RESTRAINT SYSTEMS

Occupants under 40" height must use Child Seat / Booster

The seat belts are equipped with switchable ELR/ALR retractor lock mode.

Activate the ALR retractor lock mode to hold a child restraint system by pulling the shoulder belt all the way out. Allow it to retract to desired length. Check that the belt straps are fully tightened and the retractor / webbing is locked.

Note: Unbuckling the belt and allowing it to retract fully deactivates the ALR retractor

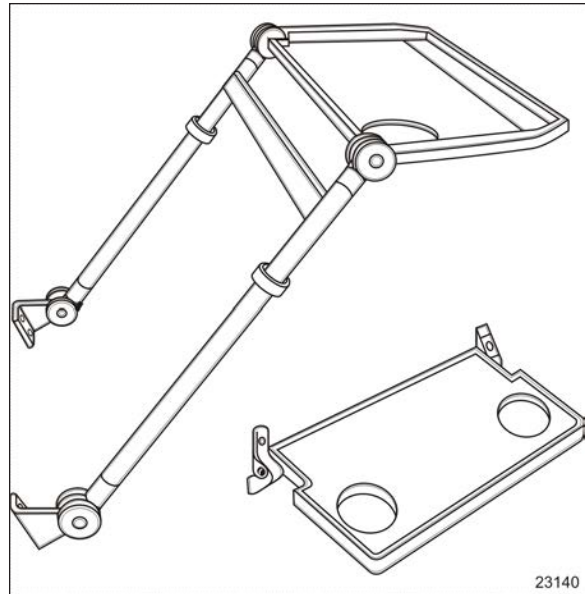
Failure to use the ALR lock mode will result in the child safety seat not being properly secured.

When using a booster seat, do not pull the shoulder belt all the way out. Doing so would engage the ALR lock mode which is not recommended with booster seat.

Install the child seat/booster according to the manufacturer's instructions.

### FOLDING TRAYS

Two optional folding tray models can be installed in the coach.



FOLDING TRAY MODELS

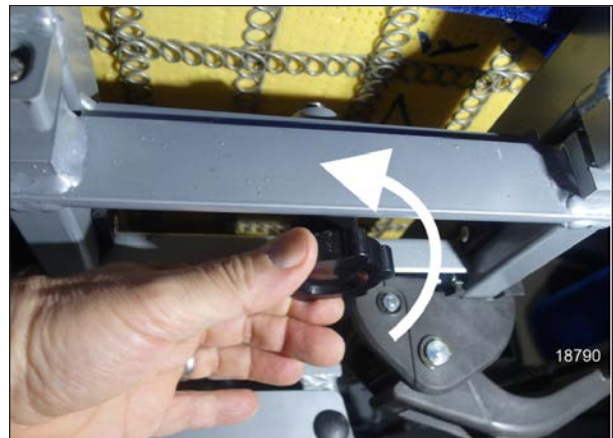
### NOTE

*Both tray models as well as the tray installed onto each modesty panel are equipped with tumbler holders.*

### SWIVEL SEATS

The coach may be equipped with two sets of swivel seats to allow installation of card tables. The swivel seat can be rotated for passenger privacy. Follow this procedure for seat rotation:

1. Loosen completely the threaded stud knob under the seat on the aisle side.



LOOSEN THE KNOB

2. Pull the seat toward the aisle to unlock the rotation.

### 3-8 Coach interior



**PULL TO UNLOCK THE ROTATION**

3. Rotate the seats until it stops (A) and push back toward the window to lock rotation (B).



**FINAL POSITION**

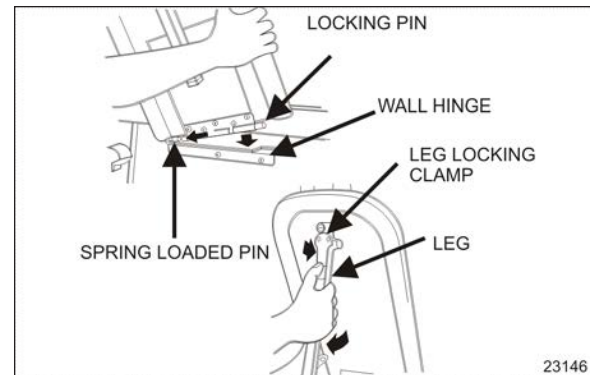
4. Fasten the threaded-stud knob under the seat on the aisle side.

### TABLES

Two removable tables are provided as standard equipment in the passenger swivel seat configuration. The tables are stored in the overhead storage compartments in separate stowage bags.

To install the table, hold it at 45° (degrees) to the side wall. Insert the spring-loaded pin then the locking pin

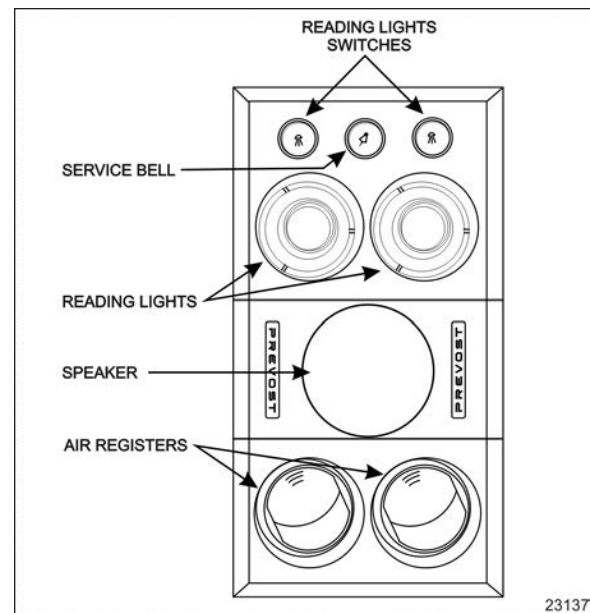
into the hinge. Push on the locking clamp to release the leg. Unfold the leg until the clamp locks it in position.



**REMOVABLE TABLE INSTALLATION**

### OVERHEAD CONSOLE

An overhead console is installed above each row of twin seats. Amenities include reading lights, air vents and an optional service bell.



**OVERHEAD CONSOLE**

### ADJUSTABLE AIR REGISTERS

Manually adjustable registers located on the overhead console provide air flow to the passengers. Air flow can be directed, passengers can orient individual registers by rotating the nozzle. To adjust air flow, passengers must open or close the flaps. Activation of the fans is done by depressing a rocker switch on the dashboard. Refer to Controls & Instruments.



## SERVICE CHIME

Pressing the service button on the overhead console will illuminate the button providing a visual cue for service personnel and, if activated, will sound a chime in the driver's area. The chime system is activated by a rocker switch located on the dashboard. Refer to ["Stop / Service Chime \(Optional\)" on page 21](#) in Controls & Instruments chapter. Passengers may also use the chime system to request a stop for disembarking. Press the service button a second time to cancel the service request. To adjust the chime volume level, refer to "Controls & Instruments" under Audiovisual Controller.

## READING LIGHTS

Reading lights are mounted underneath the overhead storage compartments. Depressing a rocker switch located on the dashboard (refer to ["Reading Lights" on page 21](#) in Controls & Instruments) will activate the reading light circuit and allow passenger control of reading lights. Turning the key or ignition lever to the accessory position "ACC" when the reading lights are on will activate the lights to full intensity, providing a clear view over the entire cabin area.

## WINDOWS

The vehicle is equipped with flush-mounted windows all around and a split-window windshield for maximum visibility.

### PANORAMIC WINDOWS

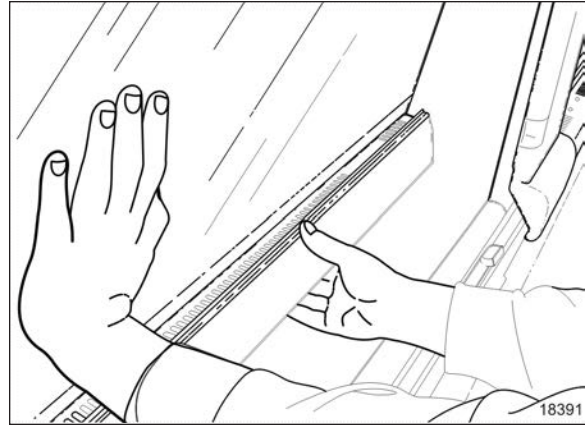
Panoramic side windows can come in either single pane or, as an option, double pane (thermopane) glass. Some of these windows are of the fixed type and cannot be opened. Others can be easily opened to serve as emergency exits.

#### Fixed Windows

These windows are bonded to the structure. Fixed windows cannot be opened.

#### Emergency Windows

These windows can be opened from inside the vehicle as emergency exits. A decal on window sills indicates the location of the emergency windows. To open an emergency window, lift the window release bar (sill) and push the window open from the bottom.

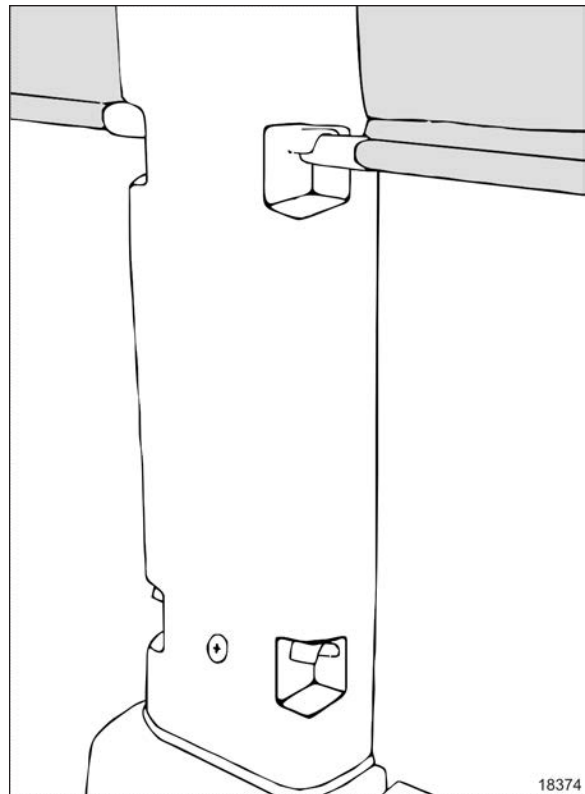


**EMERGENCY WINDOW OPENING**

To close, lift the release bar and pull the window into position. Push down on release bar to lock the window shut.

For more information on emergency windows, refer to ["EMERGENCY EQUIPMENT" on page 4](#) in Section 7.

### Window Sun Shades



**PULL DOWN SUN SHADES**

Passenger windows may be equipped with pull-down sun shades. To operate, pull down the shade and insert the hem into the first or second catch. To retract pull out from the slots and guide the shade back up.

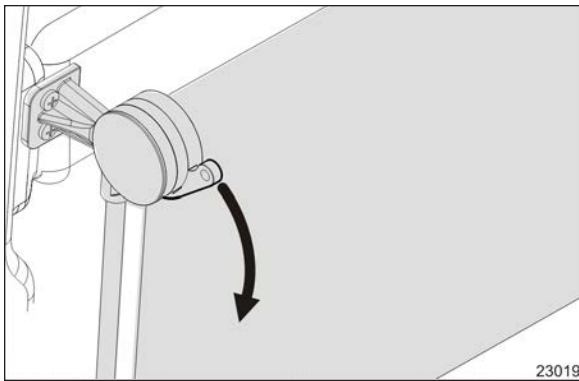
## 3-10 Coach interior

### DRIVER'S POWER WINDOW

The driver has a power window on the left side of the vehicle. The windows are controlled by a rocker switch located on the driver's control panel. Refer to "Controls and Instruments".

### DRIVER'S WINDOW SHADES

This vehicle is provided with a spring release type sun shade on the driver's left side window. Another spring release type shade is available on the optional driver's guard. To operate, pull down the shade by its hem to the appropriate position and release. It will remain in position. To raise, depress the unlocking lever and guide the shade back up using the other hand.



SPRING RELEASE SUNSHADE

Two electrically-operated shades are installed behind the windshields. Two rocker switches on the dashboard operate each shade individually. Refer to "Controls and Instruments" chapter for more information.

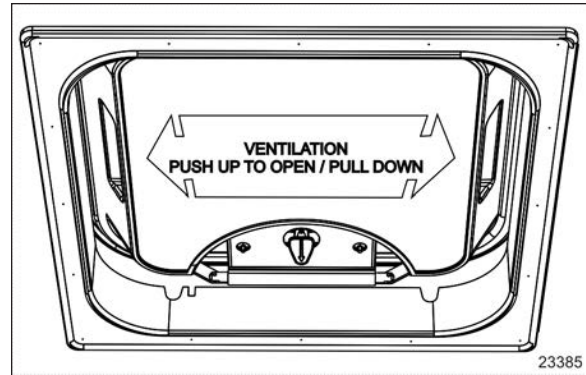


### CAUTION

The electric shades should only be operated electrically. Pulling down manually may damage the mechanism.

### VENTILATION HATCH

A ventilation hatch may be installed in the ceiling at the rear of the coach. A second, optional hatch can be installed on the roof at the front of the coach. To open the hatch, push up with both hands and pull down to close. The ventilation hatch can be completely opened for emergency egress. Refer to "Safety Features and Equipment".



VENTILATION HATCH



### WARNING

Be aware of coach overhead clearance when traveling under overpasses with the ventilation hatch(es) open. Check for maximum clearance height.

### OVERHEAD COMPARTMENTS

Passenger carry-on baggage is stored in overhead compartments on each side of the coach. A first aid kit is located in the first front curb side overhead storage compartment.

A media player may be installed in the first front driver's side overhead storage compartment.

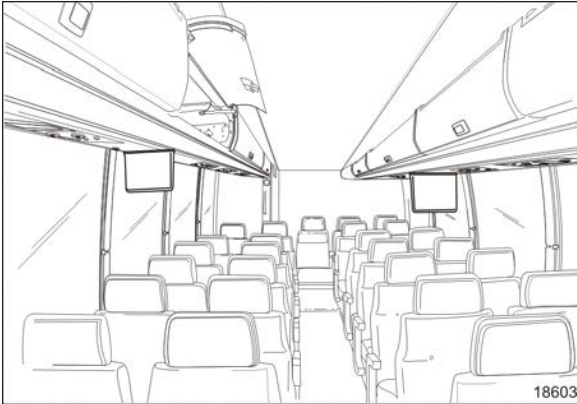
To open the optional closed overhead storage compartments, push the handle in to release the latch, then let go. A pressurized cylinder opens the door.

### NOTE

*The overhead storage compartments have a minimum amount of separators installed so as to quicken inspection for forgotten objects.*

### NOTE

*An optional lock can be installed on the first front driver's side overhead storage compartment door.*



**OVERHEAD STORAGE COMPARTMENTS**

### WASTE CONTAINER

The waste container is located on the lavatory wall, and is accessible through an opening on each side of the wall. A small door, located on the aisle side, gives access to the waste container for cleaning.

### GALLEY

The optional galley may include features such as a microwave oven and refrigerator to accommodate hot or cold food and beverage service. The galley's electrical power circuit is activated by a rocker switch located on the dashboard. Refer to "Controls & Instruments" chapter.

### LAVATORY

The lavatory is located in the rear curb side corner of the coach. It can be equipped with a chemical flush toilet, bathroom tissue dispenser, wash-basin, towel dispenser, waste container, mirror and cleaning cabinet, containing a coiled hose. A liquid soap dispenser and moist towel dispenser are optional.

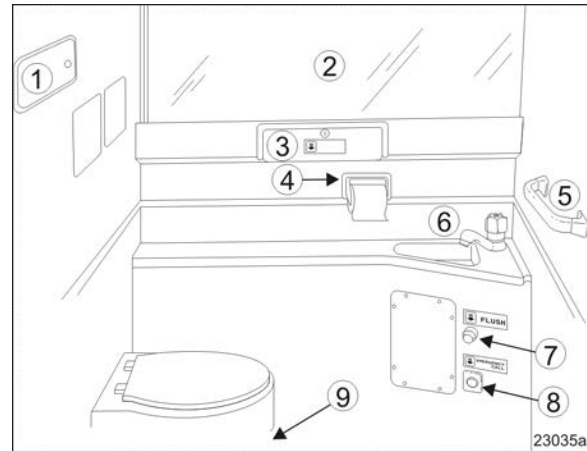
Locking the lavatory door from the inside will illuminate a fluorescent light in the lavatory and two outside signs to indicate occupation. One sign is located on the outer wall of the lavatory and another sign is located over the windshield.

A telltale light on the dashboard will illuminate to inform the driver when the lavatory is occupied. A night-light is permanently lit in the lavatory when the ignition switch is in the ON position.

If emergency assistance is required, the lavatory occupant can actuate a buzzer that will sound in driver's area. The buzzer push-button and instruction label are located on the wall of the lavatory.

The lavatory has its own ventilation system that operates continuously when the ignition switch is in the ON position.

The fresh water tank may be equipped with an immersion heater supplied by the 120-volt connector for the engine block heater.



**LAVATORY**

1. Cleaning cabinet
2. Mirror
3. Paper towel dispenser
4. Toilet paper roll
5. Grip handle
6. Wash basin
7. Flush button
8. Emergency call button
9. Waste basket