

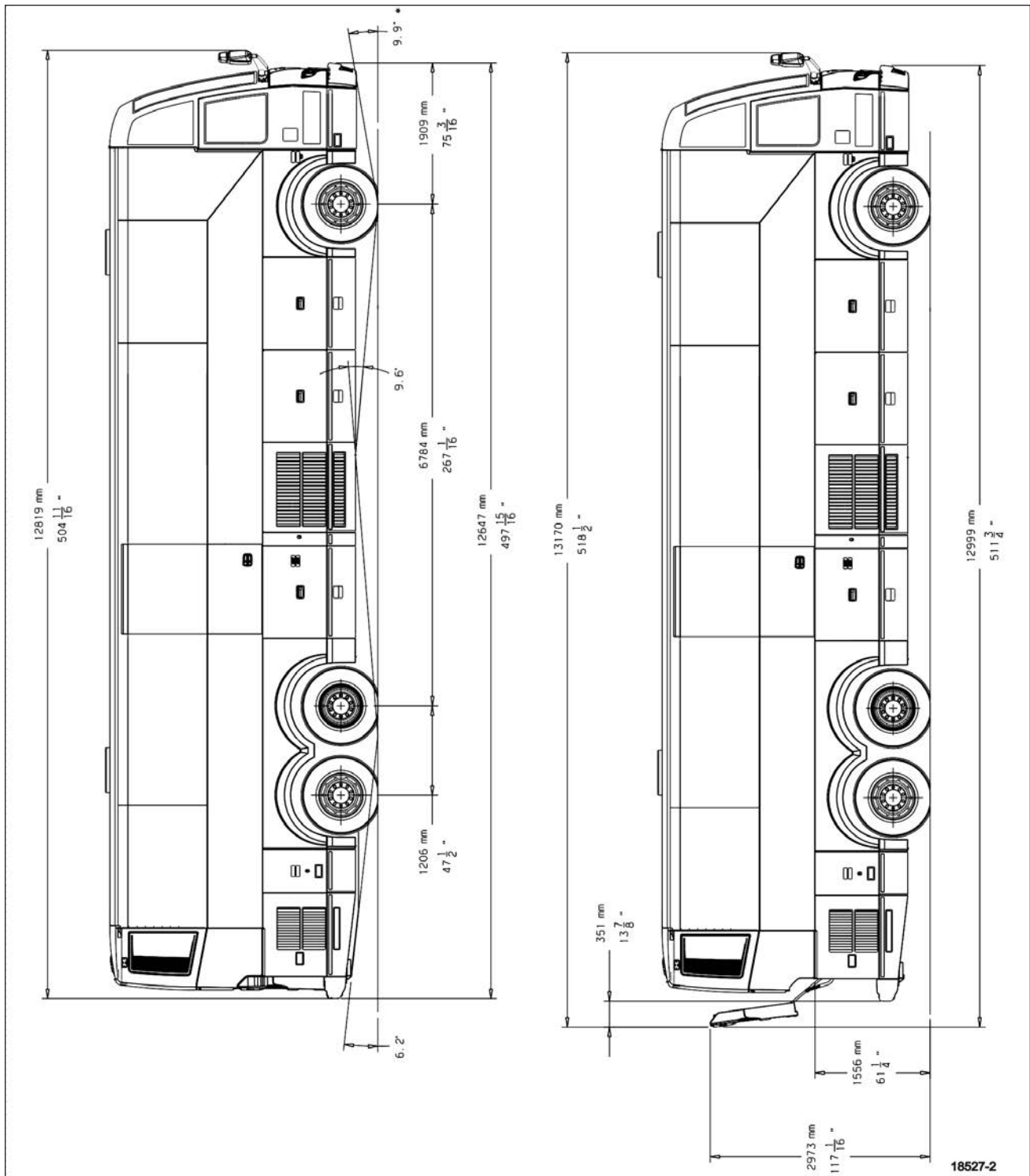
SECTION 9

DIMENSIONS AND WEIGHTS	3
CAPACITIES	9
TURNING RADIUS	10
FUEL TYPE	12
BIODIESEL FUEL	12
WHEELS AND TIRES	12
RECOMMENDED TIRE INFLATION PRESSURE AT MAXIMUM COLD LOAD	12
BELTS	13
VOLVO D13 ENGINE	13
ALLISON TRANSMISSION	13
GEAR RATIOS	13
VOLVO I-SHIFT TRANSMISSION	13
PROPELLER SHAFT	14
BRAKES	14
BRAKE CHAMBER EFFECTIVE AREA	14
AIR SYSTEM	14
ANTILOCK BRAKING SYSTEM (ABS)	14
TROUBLESHOOTING AND TESTING	14
AUTOMATIC TRACTION CONTROL (ATC) – ELECTRONIC STABILITY CONTROL (ESC)	14
STEERING	15
ELECTRICAL SYSTEM	15
AXLES	15
I-BEAM FRONT AXLE	15
DRIVE AXLE	15
TAG AXLE	15
SUSPENSION	15
I-BEAM AXLE FRONT SUSPENSION	15
DRIVE AXLE (ALL)	15
TAG AXLE	16
ALIGNMENT SPECIFICATIONS	16
COOLING SYSTEM	16
FUEL SYSTEM	17
EXHAUST SYSTEM	17
HEATING AND AIR CONDITIONING	17
OIL SPECIFICATIONS	17
ENGINE	17
ALLISON TRANSMISSION	17
I-SHIFT TRANSMISSION	18
DIFFERENTIAL	18

9-2 Technical Information

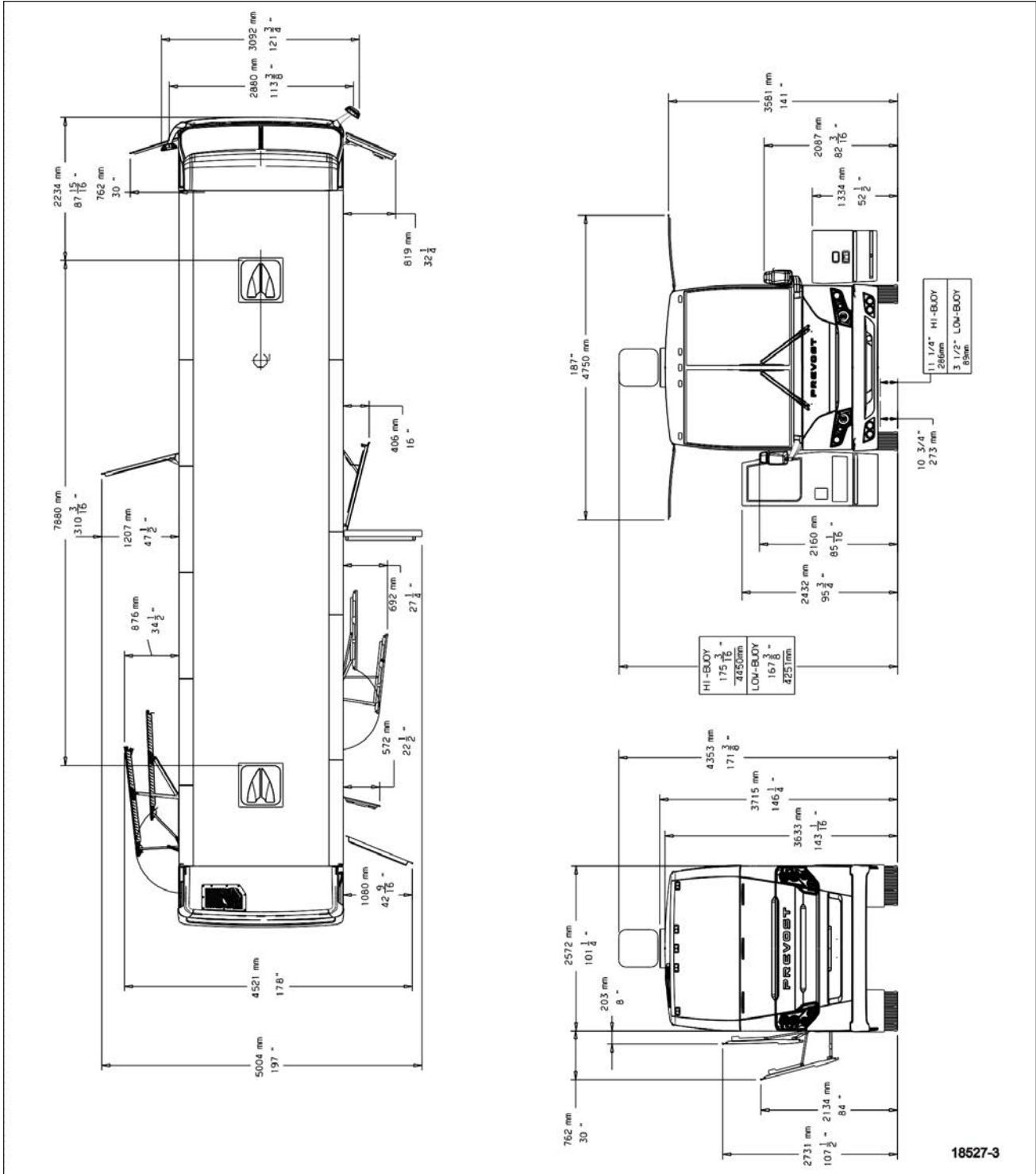
POWER STEERING RESERVOIR	18
PRE-HEATING SYSTEM	18
PLATES AND CERTIFICATION	18
SAFETY CERTIFICATION	19
DOT CERTIFICATION PLATE	19
EPA ENGINE LABEL	20
VEHICLE IDENTIFICATION NUMBER (VIN)	20
VIN DEFINITION	21
COACH FINAL RECORD	22

DIMENSIONS AND WEIGHTS



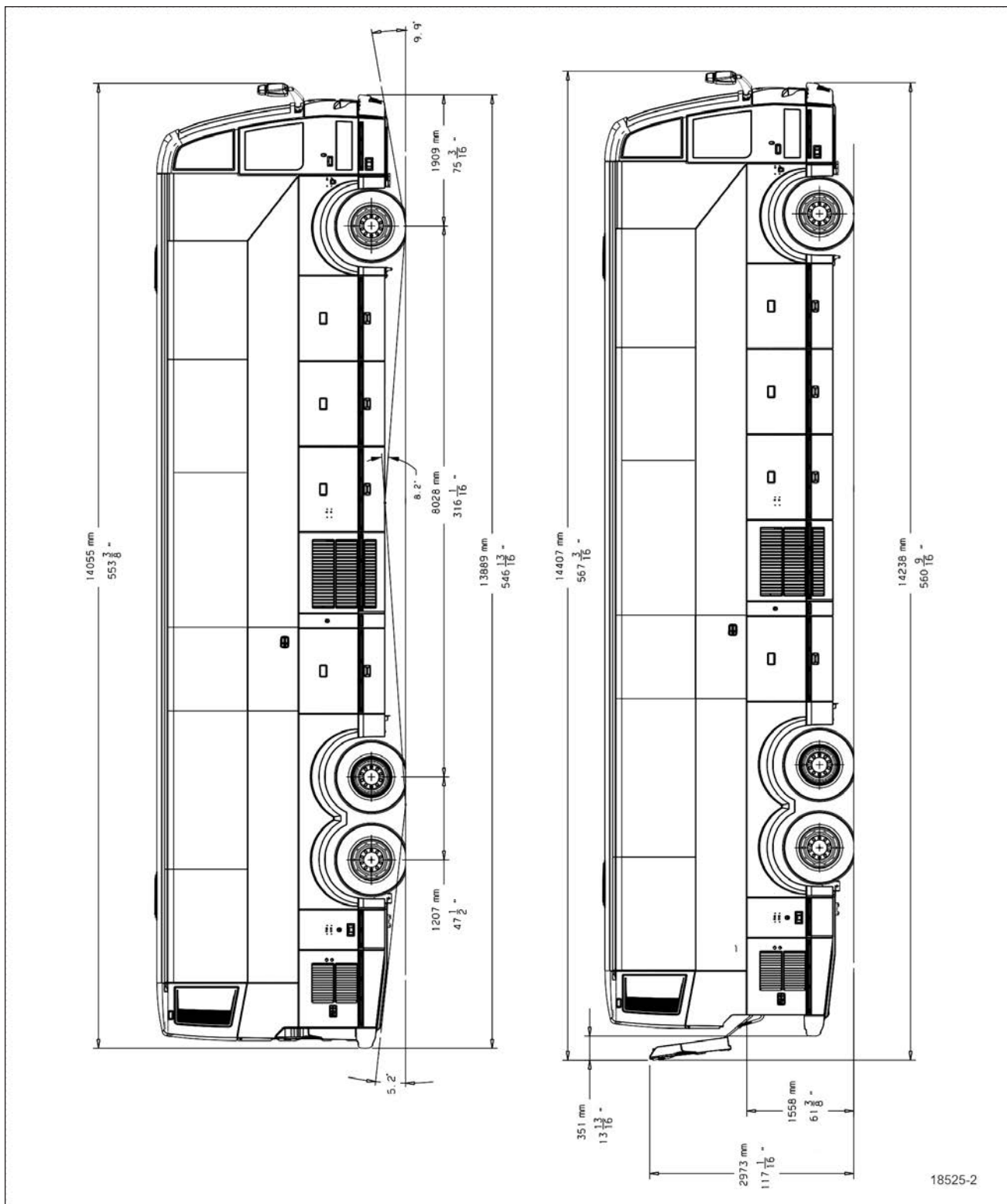
H3-41 OVERALL DIMENSIONS

9-4 Technical Information



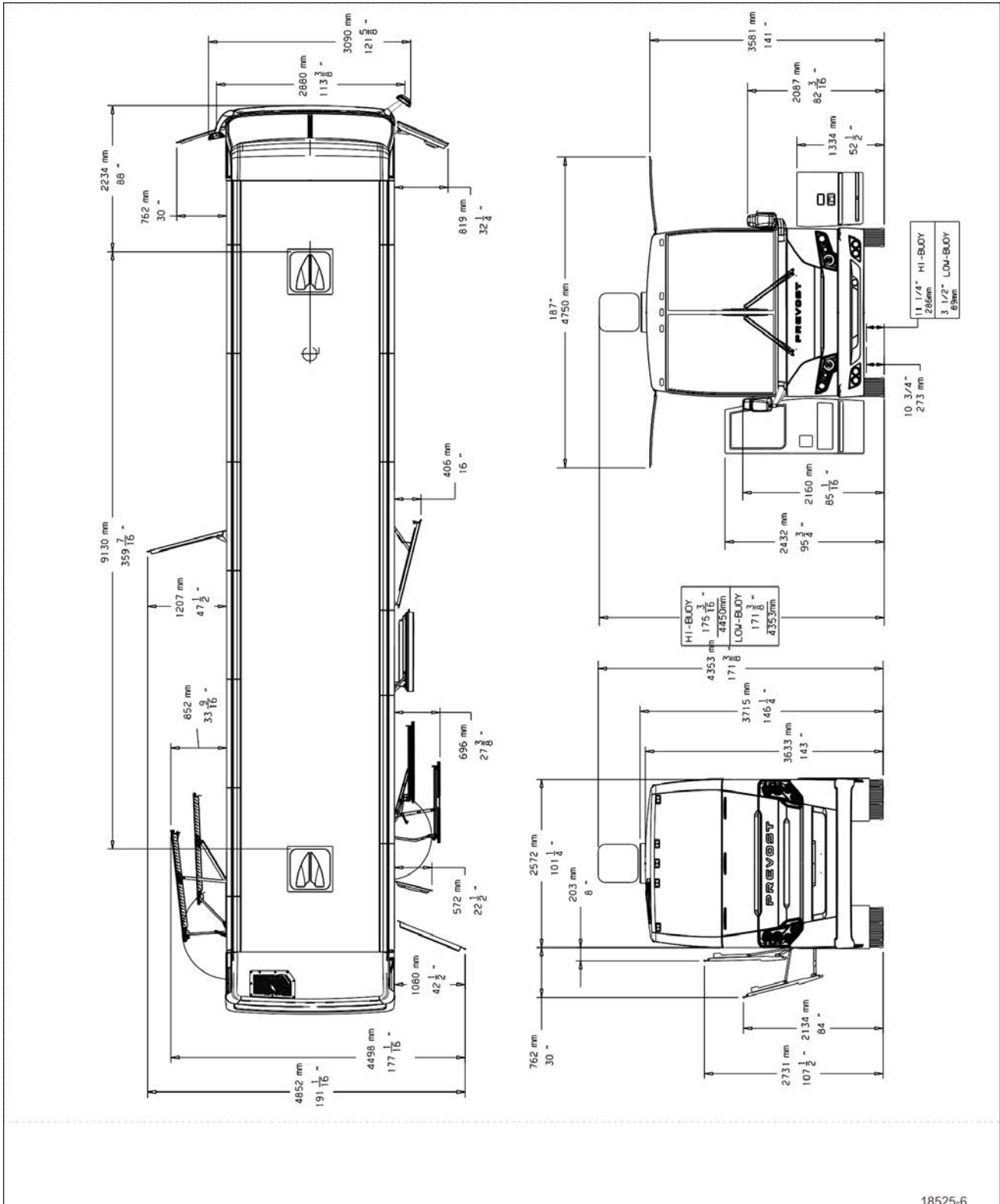
H3-41 OVERALL DIMENSIONS

18527-3



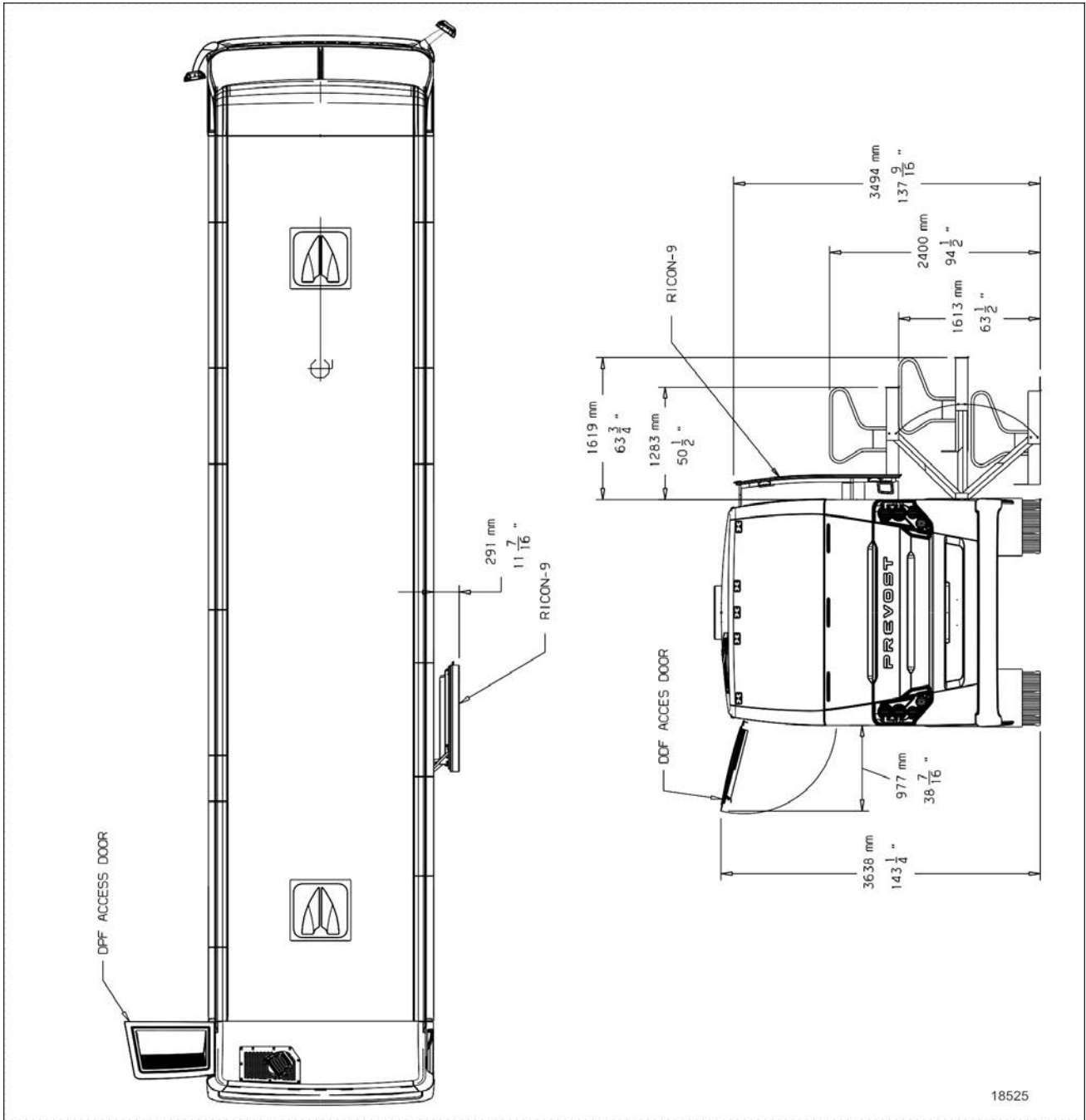
H3-45 OVERALL DIMENSIONS

9-6 Technical Information



H3-45 OVERALL DIMENSIONS

18525-6



18525

H3 SERIES WITH WHEELCHAIR LIFT - OVERALL DIMENSIONS

DIMENSIONS AND WEIGHTS	H3-41	H3-45
Overall length (over bumpers)	41' 0" (12.5 m)	45' 0" (13.7 m)
Overall width	102" (2.59 m)	
Overall height (normal ride height)	146.25" (3.715 m)	

9-8 Technical Information

DIMENSIONS AND WEIGHTS	H3-41	H3-45
Wheelbase (center of front axle to center of drive axle)	264.3" (6.714 m)	313.4 (7.96 m)
Floor height from ground	63" (1600 mm)	
Ground clearance	10.75" (273 mm)	
Step height from ground	14" (356 mm)	
Step height (other steps)	7" (178 mm)	
Seats	48	56 - 58
Headroom	77" (1956 mm)	
Entrance door opening width	28" (711 mm)	
Aisle width (minimum)	14" (355 mm)	
Front overhang	75" (1909 mm)	
Rear overhang	108.37" (2753 mm)	
Front track	85.2" (2162 mm)	
Drive track	74.3" (1887 mm)	
Rear track (tag axle)	83.8" (2128 mm)	
Curb weight	36 750 lbs (16667 kg)	38 700 lbs (17554 kg)
Gross Vehicle Weight Rating (G.V.W.R.)	53 000 lbs (24 040 kg)	
Front axle Gross Axle Weight Rating (G.A.W.R.)	16 500 lbs (7 500 kg)	
Drive axle G.A.W.R.	22 500 lbs (10 230 kg)	
Tag axle G.A.W.R.	14 000 lbs (6 365 kg)	

NOTE

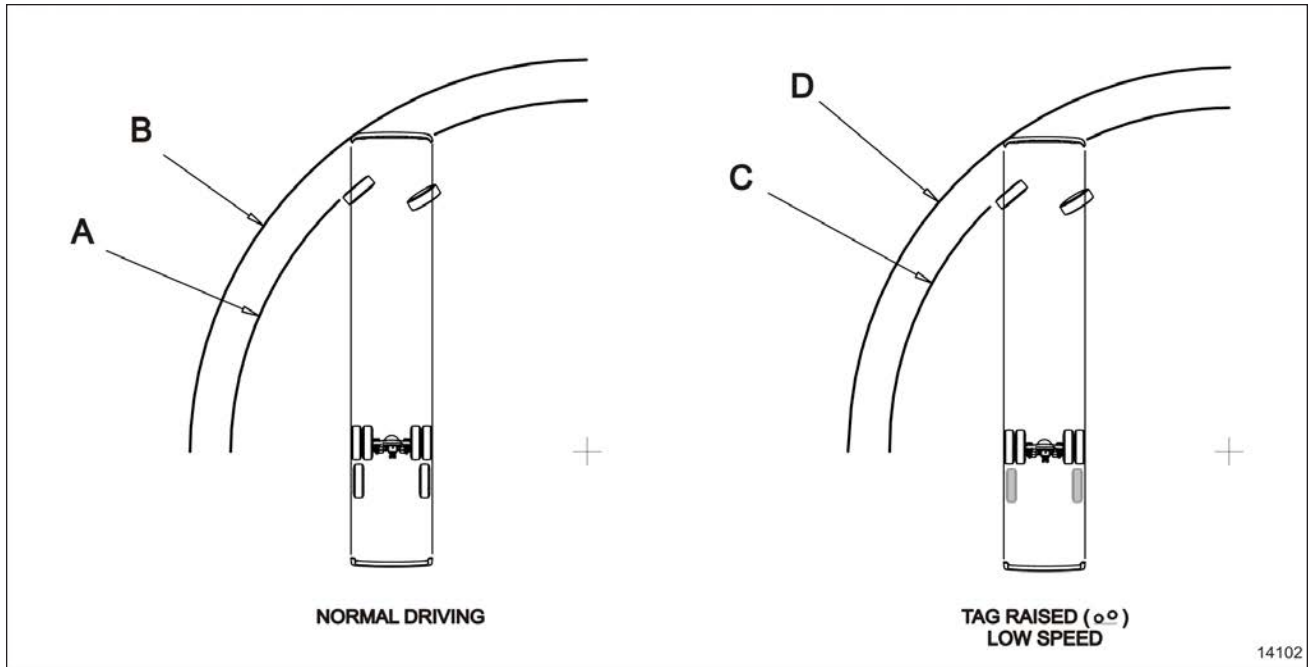
Curb weight is given as an indication only and is subject to vary from coach to coach, mostly due to optional equipment

The actual Gross Vehicle Weight Rating (G.V.W.R.) and the Gross Axle Weight Rating (G.A.W.R.) for front, drive and tag axles are listed on a certification plate located on the L.H. control panel in driver's section.

CAPACITIES

CAPACITIES	H3-45
Volvo D13 Engine oil (refill volume with filter change)	40 quarts (38 l)
Fuel tank (legal capacity equal to 95% of volume)	222 US gal (840 liters)
DEF tank	16 US gal 60 liters
Cooling system	26 US gal 99 liters
Allison transmission (does not include external circuit)	11.75 U.S. gal (45 l) initial 6 U.S. gal (23 l) refill 6.9 US gal (26.5 l) refill with retarder
Volvo I-Shift transmission	16 quarts (15 liters)
Differential oil	20.5 U.S. qts (19.4 l) Meritor 19.5 U.S. qts (18.5 l) ZF A-132 axle
Power steering reservoir	4 quarts (3.7 liters)
A/C compressor oil	2.8 US quarts (2.6 liters)
Windshield washer reservoir	5 US gal (19 liters)
Refrigerant	24 lbs (11 kg)
Toilet septic tank	Small: 13 US gal (49.5 liters) Large: 30.8 US gal (116 liters)
Baggage compartment	Total volume: H3-45 460 ft ³ H3-41 355 ft ³ Loading capacity: 2500 lbs/compartment

TURNING RADIUS



TURNING RADIUS DIAGRAM

Table below shows the turning radius values. The values are presented in by model and front axle type. Values A and B are for normal driving. Values C and D show values for low speed maneuvering where the tag axle is raised **oo**.



CAUTION

Do not drive vehicle with tag axle raised at speeds exceeding 12 mph (20 km/h). For additional details, refer to ["TAG AXLE CONTROL VALVE" on page 14](#) in Section 4 Controls and Instruments and ["RETRACTABLE TAG AXLE" on page 30](#) in Section 5 Other Features.

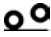
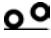
NOTE

Supplied values are theoretical. Factors such as ground surface, vehicle speed and road conditions may significantly affect the turning radius.

Turning Radius 1, 2	H3-45 w/ I-beam Axle	H3-41 w/ I-beam Axle
A (Curb to Curb)	12.61m (41'4")	10.88m (35'9")
B (Wall to Wall)	13.84m (45'5")	12.11m (39'9")
C (Curb to Curb) oo	12.05m (39'7")	10.32m (33'10")
D (Wall to Wall) oo	13.28m (43'7")	11.54m (37'11")

¹Curb to Curb value corresponds to the outer tire's track on the ground.

²Wall to Wall value includes the vehicle's body overhang.

Turning Radius 1, 2	H3-45, H3-45 VIP with Front Independent Suspension
A (Curb to Curb)	11.34m (37'3")
B (Wall to Wall)	12.64m (41'6")
C (Curb to Curb) 	10.84m (35'7")
D (Wall to Wall) 	12.13m (39'10")

¹Curb to Curb value corresponds to the outer tire's track on the ground.

²Wall to Wall value includes the vehicle's body overhang.

9-12 Technical Information

FUEL TYPE

Your Prevost vehicle is powered by a diesel engine designed to operate only with Ultra Low Sulfur Diesel (ULSD) fuel, which can contain no more than 15 ppm sulfur.



WARNING

ULSD fuel is necessary to avoid fouling the engine's Exhaust Aftertreatment System. Use of fuel other than ULSD will reduce the efficiency and durability of the engine.

BIODIESEL FUEL

Biodiesel with up to a maximum of 5% biofuel (B5) may be used and will not affect the manufacturer's mechanical warranty as to engine and emissions system related components. The biofuel used in the various blends must conform to ASTM D6751; therefore B1 to B5 blends conforming to ASTM D975. Also, any engine performance problem related to the use of biodiesel fuel would not be recognized nor considered as Volvo or Prevost's responsibility.

However, Volvo engines are certified to comply with U.S. EPA and California emissions standards based upon the use of test fuels with specifications established by these regulatory agencies.

Alternative fuels, including biodiesel, that are not substantially similar to the required test fuels may adversely affect engine emissions compliance. As a result, Volvo does not warrant the engine will conform to applicable Federal or California emissions limits when operated on biodiesel or other alternative fuels that are not substantially similar to specified test fuels used for certification.

Additional maintenance is required and is covered in Section 03: FUEL SYSTEM of the maintenance manual.

WHEELS AND TIRES

WHEELS DIMENSION

Accuride steel wheels: 9" X 22½"

Inner drive axle steel wheels : 8¼" X 22½"

Alcoa aluminum wheels (front, drive, tag axles): 9" X 22½"

Alcoa super single wheels (drive axle): 14" X 22½"

TIRE DIMENSIONS

Front & auxiliary axles: 315/80 R22.5 load range L tires on both axles or 365/70 R22.5 load range L tires on both axles

Drive axle: 315/80 R22.5 load range L tires

Drive axle: super single 455/55 R22.5 load range L tire

RECOMMENDED TIRE INFLATION PRESSURE AT MAXIMUM COLD LOAD

The recommended tire inflation pressures are given in the applicable documents supplied with the vehicle. In addition, cold tire inflation pressures are listed on the Department of Transport (DOT) certification plate, affixed on the wall behind the driver's seat.

For special tire selection, a "Prevost coach special specification" chart is supplied with the vehicle and is affixed next to the DOT certification plate.

Vehicles equipped with TPMS: The TPMS target pressures are factory set to equal the prevailing tire pressure at delivery time. When tire pressures are increased to account for higher vehicle weight, the TPMS set point needs to be increased accordingly.

NOTE

Before being converted, Bus Shells vehicles are not at their maximum weight and tire pressures are adjusted at a lower level value than the maximum allowed appearing on the DOT plate. Tire pressure must be readjusted once converted.



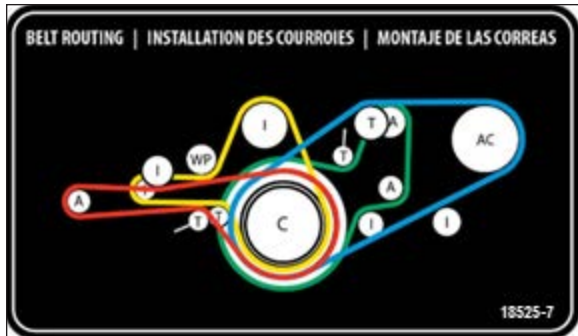
CAUTION

These tire pressures are established in accordance with the maximum allowable load on each axle. A lower pressure is recommended if the axle load is less than the above specifications. Weigh vehicle fully loaded and pressurize according to tire manufacturer's recommendations. For non-standard tire and wheel specifications, see Prevost tire pressure tabulation in "Coach Final Record" or special specification chart affixed next to the DOT certification plate.

WARNING

Special tire selection may lower maximum allowable speed limit, even below posted speed limit. For maximum safety, check with tire manufacturer.

BELTS



A: Alternator I: Idler T: Tensioner
 C: Crank WP: Water pump AC: A/C compressor

Belt application	Type	Qty
A/C compressor - high capacity HVAC system	V Belt BX71	2
Alternator - twin Bosch, curb side	Multi-V-8 Rib 8PK1575	1
Alternator - emergency belt on upper alternator, curb side	Multi-V-8 Rib 8PK1512	1
Alternator - single Bosch, street side	Multi-V-10 Rib 10PK1695	1
Coolant pump	Multi- V- 10 Rib 10PK1512	1

NOTE

Belts specifications and configurations may vary. For proper belt selection, always consult your vehicle "Coach Final Record".

VOLVO D13 ENGINE

Type: 4-stroke / inline six cylinders
 Displacement: 12.8 l, SOHC, 4-valve /cylinder
 Power: 435 HP

Torque: 1700 lbf-ft @ 1100 rpm
 Cruise speed range: 1300-1500 rpm
 Full dress, dry weight: 1174 kg / 2588 lb

ALLISON TRANSMISSION

Allison B500 (B500R with the optional output retarder) electronically controlled six-speed automatic transmission.

GEAR RATIOS

1st	3.51
2nd	1.91
3rd	1.43
4th	1.00
5th	0.74
6th	0.64
Reverse:	4.80
Converter:	1.90
Differential ratio	3.91
Differential ratio (optional):	3.58
Differential ratio (ZF A-132 axle):	3.54
Maximum input torque:	1700 lb-ft (2304Nm)

VOLVO I-SHIFT TRANSMISSION

Electronically automated twelve speed automatic transmission

Gear & Ratio

1st	14.94
2nd	11.73
3rd	9.04
4th	7.09
5th	5.54
6th	4.35
7st	3.44

9-14 Technical Information

8 nd	2.70
9 rd	2.08
10 th	1.63
11 th	1.27
12 th	1.00
<i>Reverse 1st:</i>	17.48
<i>Reverse 2nd:</i>	13.73
<i>Differential ratio (ZF A-132 axle):</i>	2.50
<i>Maximum input torque:</i>	1920lb-ft (2603Nm)

PROPELLER SHAFT

Dana Spicer SPL250 type tubular shafts, provided with heavy-duty universal joints.

BRAKES

The features of the braking system include a dual system where the front and rear circuits are completely independent from each other. The brakes are air operated disc type brakes. The emergency/parking brakes are located on the drive. To ensure a constant running clearance between pads and disc, the brakes are equipped with a non-wearing, automatic adjuster mechanism.

BRAKE CHAMBER EFFECTIVE AREA

Front axle: 24 in²

Drive axle: 24/24 in² (service /emergency)

Tag axle: 16 in²

AIR SYSTEM

Compressed air is provided by a twin cylinder, 31.8 cfm Wabco, gear-driven, water-cooled and engine oil lubricated air compressor.

ANTILOCK BRAKING SYSTEM (ABS)

The antilock braking system has one Electronic Control Unit (ECU) controlling a 6- sensor/5-

modulator (6s/5m) system. A wheel slip sensor is mounted at each wheel.

The Electronic Control Module (ECM) is maintenance free. Its operating voltage is 24 ± 6 volts DC. The thermal operating range for the ECM is from -40 to 167°F (-40 to 75°C).

The solenoid control valves are maintenance free. Their operating voltage is 24 (+4.8, -2.4) volts DC. The rated current draw is 1.65 amps. The thermal operating range of the solenoid control valves is from -40 to 176°F (-40 to 80°C).

TROUBLESHOOTING AND TESTING

For detailed information, troubleshooting and testing refer to Bendix booklet "Bendix Service Data EC80 ESP Controller (SD- 13- 4986)" found on the Technical Publications USB flash drive and web site or use menu "Diagnostics" of the DID (see "[DRIVER INFORMATION DISPLAY \(DID\) MENUS](#)" on [page 11](#) in Section 5 Other Features).

AUTOMATIC TRACTION CONTROL (ATC) – ELECTRONIC STABILITY CONTROL (ESC)

In addition to the ABS function, vehicle is equipped with a Traction Control System (TCS) feature. This feature is provided by the Bendix ESP EC-80 controller. Bendix refers to this feature as Automatic Traction Control (ATC). Bendix ATC can improve vehicle traction during acceleration, and lateral stability while accelerating through curves. ATC utilizes Engine Torque Limiting (ETL) where the ECU communicates with the engine's controller and/or Differential Braking (DB) where individual wheel brake applications are used to improve vehicle traction.

The ESP EC-80 model controller also provides an ABS-based Electronic Stability Control (ESC) feature. Bendix refers to it as ESC Electronic Stability Control.

The Bendix ESC system is an ABS-based stability system that enhances vehicle stability by both reducing engine throttle and by applying vehicle braking based on actual vehicle dynamics

Refer to Maintenance Manual, Section 12: Brake and Air System for more information on this system.



CAUTION

Even with ESC-equipped vehicles, the driver remains responsible for ensuring vehicle stability during operation.



DANGER

ESC may reduce the vehicle speed automatically. ESC can make the vehicle decelerate automatically. ESC can slow the vehicle with or without the operator applying the brake, and even when the throttle is being applied

STEERING

ZF 8098 integral hydraulic assisted steering gear

- ZF hydraulic pump gear driven from engine .
- ZF Servocomtronic variable ratio and variable assistance in function of vehicle speed available.
- Hydraulic reservoir and dipstick accessible from engine compartment.
- System pressure: 2175 psi (150 bars).
- Steering wheel diameter 18". Tilt steering wheel and telescopic steering column; pneumatically locked with foot-operated switch for adjustment.
- Number of turns: 5¾.
- Outside turning radius: see Dimensions and Weight table.

ELECTRICAL SYSTEM

- 24-volt, negative ground;
- 12-volt exterior lighting;
- Three 24 volts, 150 amp, self-regulated, belt-driven, air-cooled HD 10 Bosch alternators;
- Four 12 Volts, group 31 AGM type batteries connected in series/parallel. Each one has a reserve capacity of 200 minutes and a cold cranking capacity of 800 amps.
- 100 amp battery equalizer.

AXLES

I-BEAM FRONT AXLE

- Dana Spicer model S84U with forged "I" beam
- Reverse Elliot type
- Unitized wheel bearings (maintenance free)
- Factory pre-adjusted caster

DRIVE AXLE

- Meritor model RC23-165 full banjo type dual tire drive
- Meritor RC23-165 ratio: 4.30 standard for optimized fuel economy at 65 mph. 3.42, 4.10 option with Allison B500
- Oil lubricated wheel bearings on Meritor RC23-165
- Factory pre-adjusted caster

TAG AXLE

- Prevost hollow square beam
- FAG Unitized wheel bearings (maintenance free)
- Tag axle may be lifted to provide better traction in snow, mud and reduce the turning radius and tire scrub at low cornering speed

SUSPENSION

Goodyear rolling lobe type air springs (bellows) are used throughout.

I-BEAM AXLE FRONT SUSPENSION

- 2 Bellows;
- 2 Shock absorbers;
- 4 Radius rods;
- 1 Transverse radius rod;
- 1 Height control valve;
- 1 sway bar;

DRIVE AXLE (ALL)

- 4 Bellows;

9-16 Technical Information

- 4 Shock absorbers;
- 3 Radius rods;
- 1 Panhard rod;
- 2 Height control valves;
- 1 Anti-roll bar;

TAG AXLE

- 2 Bellows;
- 2 Shock absorbers;
- 3 Radius rods;
- 1 Panhard rod;

ALIGNMENT SPECIFICATIONS

Use static wheel alignment systems which work with angle measurements only, such as Josam or Hunter systems. Static alignment specifications are listed in the following tables:

FRONT I-BEAM AXLE			
	Minimum value	Nominal value	Maximum value
Right camber	-0.25°	0.125°	0.375°
Left camber	-0.25°	0.125°	0.375°
Right caster	2.0°	2.75°	3.5°
Left caster	2.0°	2.75°	3.5°
Total toe	0.04°	0.06°	0.08°

DRIVE AXLE - MERITOR			
	Minimum value	Nominal value	Maximum value
Thrust angle	±0.11°		
Total toe	0.18° toe-in	0°	0.18° toe-out

DRIVE AXLE - ZF A132			
	Minimum value	Nominal value	Maximum value
Thrust angle	±0.11°		
Total toe	0.15° toe-in	0°	0.15° toe-out

TAG AXLE			
	Minimum value	Nominal value	Maximum value
Thrust angle*	-0.02°	0	0.02°
Total toe	0.08° toe-in	0°	0.02° toe-out
(*) Use the drive axle as reference			

COOLING SYSTEM

- Extra capacity, Aluminum radiator and aluminum charge air cooler arranged side by side.
- 24V ECU speed controlled electrical cooling fans, total of eight, six over radiator side and two on charge air cooler.
- Rubber insulated from the body.
- Expansion tank above radiator and remote mounted.
- System pressure 15 psi.
- Radiator fans: pusher type, 6 high power 24 Volts electrical fans, 12 inches diameter.
- Coolant: -Volvo engine: ELC (Extended life coolant), color red, with No-SCA filter.
- CAC fans: pusher type, 2 high power 24 Volts electrical fans, 12 inches diameter.
- Thermostat: 82 / 92 °C (180 / 198 °F) – (cracking / fully open).
- Full system capacity 26.2 US gal (99 l).
- Coolant filter.

FUEL SYSTEM

Polyethylene 222 US gallons (840 liters) fuel tank located in middle of second baggage bay (heating and a/c section)

- Anti-spill device.
- Two safety filler caps providing filling access on both sides of the vehicle.
- Pressure relief valve.
- Electric fuel gauge.
- Low level signal at 22 US gallon (83 liters)
- Primary filter 25 microns (standard).
- Primary fuel filter with electrical water indicator (Volvo D13).
- Fuel Pro 382 filter available as an optional primary filter.
- Secondary filter 3 to 5 microns.
- Shut-off valve on fuel supply line.
- Provided with filling access on both sides of the coach

EXHAUST SYSTEM

One all stainless steel exhaust & aftertreatment system including:

- Catalytic converter to reduce NOx.
- Aftertreatment system made of a DPF (Diesel Particulate Filter), DOC (Diesel Oxidation Catalyst) and SCR system. Noise, vibration and heat insulated. This ATD is mounted to the vehicle structure and is accessible through an exterior access door.
- Tail pipe diffuser and rain deviation device.
- Exhaust pipe with Insulation and a flexible section.
- Exhaust to rear rooftop left hand corner.
- Diesel exhaust fluid (DEF) tank (60 liters) and injection system.

HEATING AND AIR CONDITIONING

A large capacity central HVAC system provides enough conditioned and filtered air for all climatic conditions. Fresh air is drawn into the system from the evaporator compartment on driver's side of the vehicle. Return air is taken from the middle of the

vehicle. The driver's heater and defogger are controlled separately from the passenger's unit. An air mixture selector enables air to be drawn into the system from outside the vehicle or recirculated. Optionally, condensers installed in the overhead storage compartments provide cool air to the seated passengers from the overhead registers.

CENTRAL HVAC SYSTEM	
Air conditioning capacity	9 tons
Refrigerant type	134A
Heating capacity	150 000 Btu/h
Air flow	2 600 cfm (73,6 m ³ /min)
Air flow, overhead compartment, opt.	450 cfm (12,7 m ³ /min)

COMPRESSOR (central HVAC system)	
Number of cylinders	4
Operating speed	500 to 3500 rpm
Oil capacity	2.8 US quarts (2.6 liters)
Approved oil	Bitzer BSE55 (POE)

NOTE

The above oils are suitable for use with reciprocating compressors using refrigerant R134a and with evaporator temperatures above 40°F (-40°C).

OIL SPECIFICATIONS

Oil specifications for the vehicle's systems.

ENGINE

For the Volvo D13M engine, we recommend using SAE 10W-30 "Volvo Premium Motor Oil VDS-4.5" or other Volvo approved VDS-4.5 oils.

Volvo VDS-4.5 oils exceed API service category CK-4 oils.

ALLISON TRANSMISSION

Allison Transmission recommends the following fluids:

9-18 Technical Information

- Castrol TranSynd™ or TES-295 specification equivalent fluid;
- TES-389 specification equivalent fluid.

I-SHIFT TRANSMISSION

Only use VOLVO-approved synthetic transmission oil in the I-Shift transmission. Refer to section 24 of the Maintenance Manual for more information about oils approved by Volvo;

DIFFERENTIAL

Multigrade gear oil meeting MIL-PRF-2105E: 85W-140 is recommended for use in the Meritor drive axle. This lubricant performs well over a broad temperature range, providing good gear and bearing protection in a variety of climates. If temperature drops below 10°F (-12°C), 80W-90 should be used, and below -15°F (-26°C), 75W-90 should be used. In extreme conditions or for better performance, full synthetic gear oil should be used.

For vehicles equipped with the ZF A-132 drive axle, use ZF Ecofluid 80W-90 (ZF lubricant class 12M) or refer to ZF List of lubricants TE-ML 12 for other approved lubricants.

POWER STEERING RESERVOIR

Use Automatic Transmission Fluid (ATF) Dexron-III (F, G or H) or Dexron-IV for this system.

PRE-HEATING SYSTEM

Depending on options chosen, a coolant heater may be installed on the coolant circuit. The heater can be used as a pre-heater or as an auxiliary heat source.

The heater is controlled by a 7-day programmable timer. Refer to ["PREHEATER" on page 30](#) in Other Features, Section 5 for information on how to use the timer.

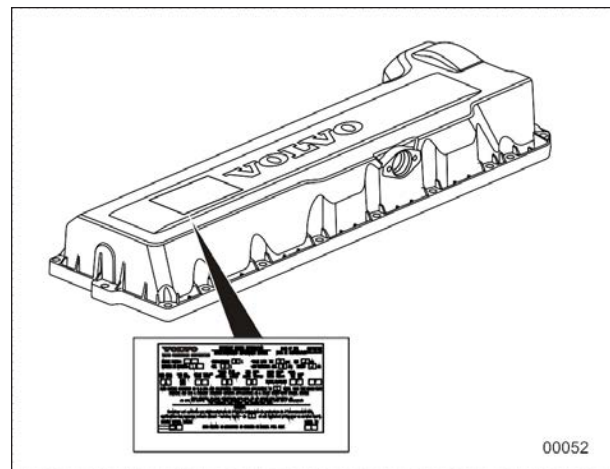
PRE-HEATER	
Make	Eberspächer
Model	Hydronic L30
Heating output	30 kW
Fuel type	Same as engine

PRE-HEATER	
Fuel consumption	0.96 US Gal/hr (3.65 l/hr)
Rated voltage	24 V DC
Operating voltage	20-30 V DC
Electric power consumption without water pump	105 watts
Dimensions	L: 24.01 (600 mm) W: 9.05 (230 mm) H: 8.74 (222 mm)
Weight	40 lb (18 kg)

PLATES AND CERTIFICATION

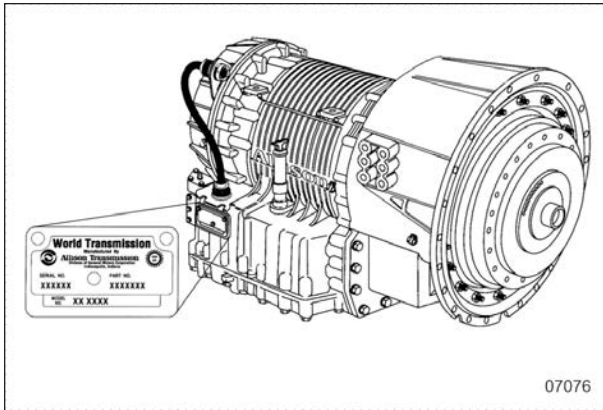
The main components of the vehicle such as engine, transmission, axles and chassis are identified by different serial numbers. It may be necessary to locate these numbers for warranty purposes.

The engine data plate is located on the rocker cover. The engine serial and model number and a list of the optional engine equipment are written on this plate. Refer to this information when ordering replacement parts. Also the engine data plate certifies that the engine conforms to federal and any state exhaust emissions regulations.

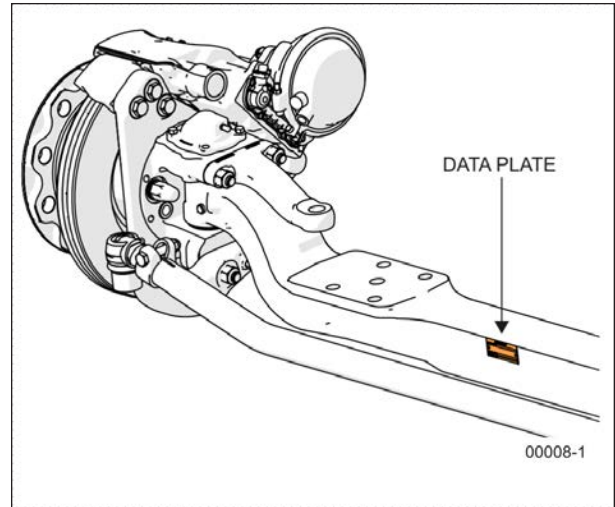


VOLVO D13 ENGINE DATA PLATE

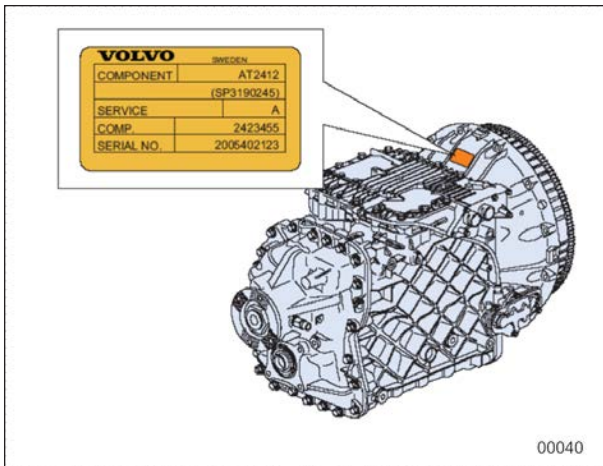
00052



ALLISON TRANSMISSION



I-BEAM FRONT AXLE
INDEPENDENT FRONT SUSPENSION

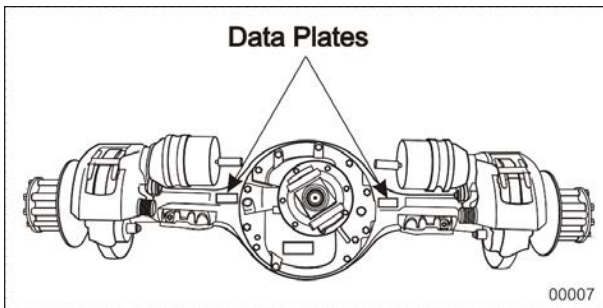


I-SHIFT TRANSMISSION

SAFETY CERTIFICATION

Vehicle components meet specifications and standards as follows:

- Material and parts conform to ASTM and/or SAE standards in effect at the time of manufacture.
- All factory-installed interior materials meet FMVSS 302 for fire resistance.
- Certified according to Provincial, State and Federal Safety standards (Canadian and US) BMCSS, FMVSS and CMVSS.
- Other applicable certification labels are affixed to the component.

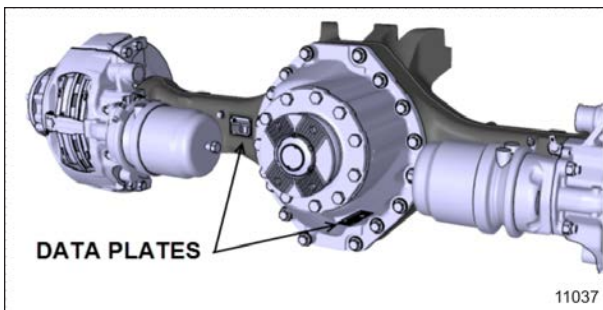


MERITOR DRIVE AXLE

DOT CERTIFICATION PLATE



This certifies that vehicles manufactured by Prevost comply with all Federal Motor Vehicle Safety Standards at the time of manufacture. Information such as the date of manufacture, model year, gross vehicle weight rating, tire types and inflation pressure is also etched on this plate.

The DOT certification plate is affixed behind the driver's seat.



ZF A-132 DRIVE AXLE


9-20 Technical Information

		PREVOST			
MANUFACTURED BY : PREVOST FABRIQUE PAR : STE-CLAIRE, QUE.		DATE OF MFG. DATE DE FAB.			
G. V. W. R. : 21772 KG. (48000 LBS). P. N. B. V. :					
AXLES/ ESSTIEUX	G. A. W. R. / P. N. B. E.	TIRES/ PNEUS	RIMS/ JANTES	COLD INFLATION PRESS. / FROID	SINGLE OR DUAL SIMPLE OU DOUBLE
	KG (LBS)			KPA (PSI)	
FRONT: AVANT :	7484 (16500)	315/80R22.5 (J)	22.5X9	827 (120)	S
INT. DIFF. :	10206 (22500)	315/80R22.5 (J)	22.5X9	586 (85)	D
REAR: TANDEM :	6350 (14000)	315/80R22.5 (J)	22.5X9	689 (100)	S
THIS VEHICLE CONFORMS TO ALL APPLICABLE U.S. FEDERAL MOTOR VEHICLE SAFETY STANDARDS IN EFFECT ON THE DATE OF MANUFACTURE SHOWN ABOVE.					
VEHICLE IDENTIFICATION NO. NO. IDENTIFICATION VEHICULE		<input type="text"/>			
		TYPE: BUS B/A		407644	
00016					

DOT CERTIFICATION PLATE

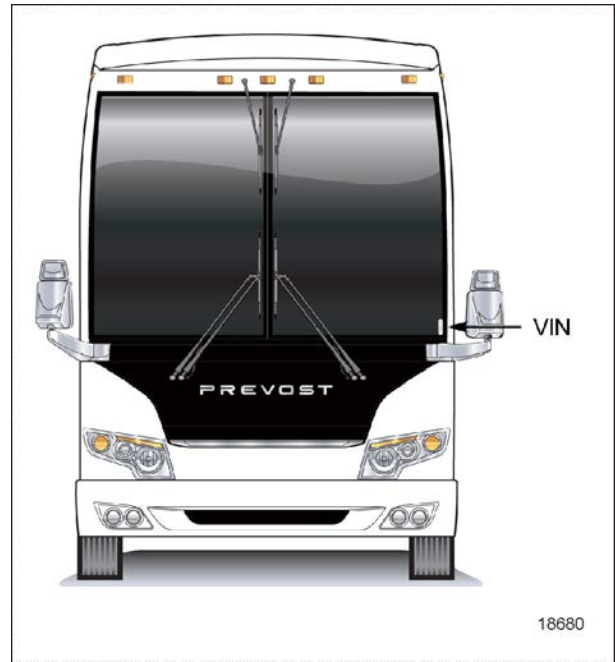
EPA ENGINE LABEL

The emissions certification label affixed in the engine compartment certifies that the engine conforms to federal and any state exhaust emissions regulations.

	VEHICLE EMISSION CONTROL INFORMATION PREVOST, A DIVISION OF VOLVO GROUP CANADA INC.
	VEHICLE FAMILY IDENTIFICATION: γ VPT2VOCVF00 VIN: <u>XXXXXXXXXXXXXX</u> REGULATORY SUB-CATEGORY: Compression-ignition Heavy HDV vocational DATE OF MANUFACTURE: <u>mm/yyyy</u> VEHICLE EMISSION CONTROL SYSTEM: <u>xxx</u> THIS VEHICLE COMPLIES WITH CALIFORNIA AND U.S. EPA REGULATIONS FOR <u>yyyy</u> MODEL YEAR VEHICLES.
010303	
00064	

EPA CERTIFICATION LABEL

VEHICLE IDENTIFICATION NUMBER (VIN)



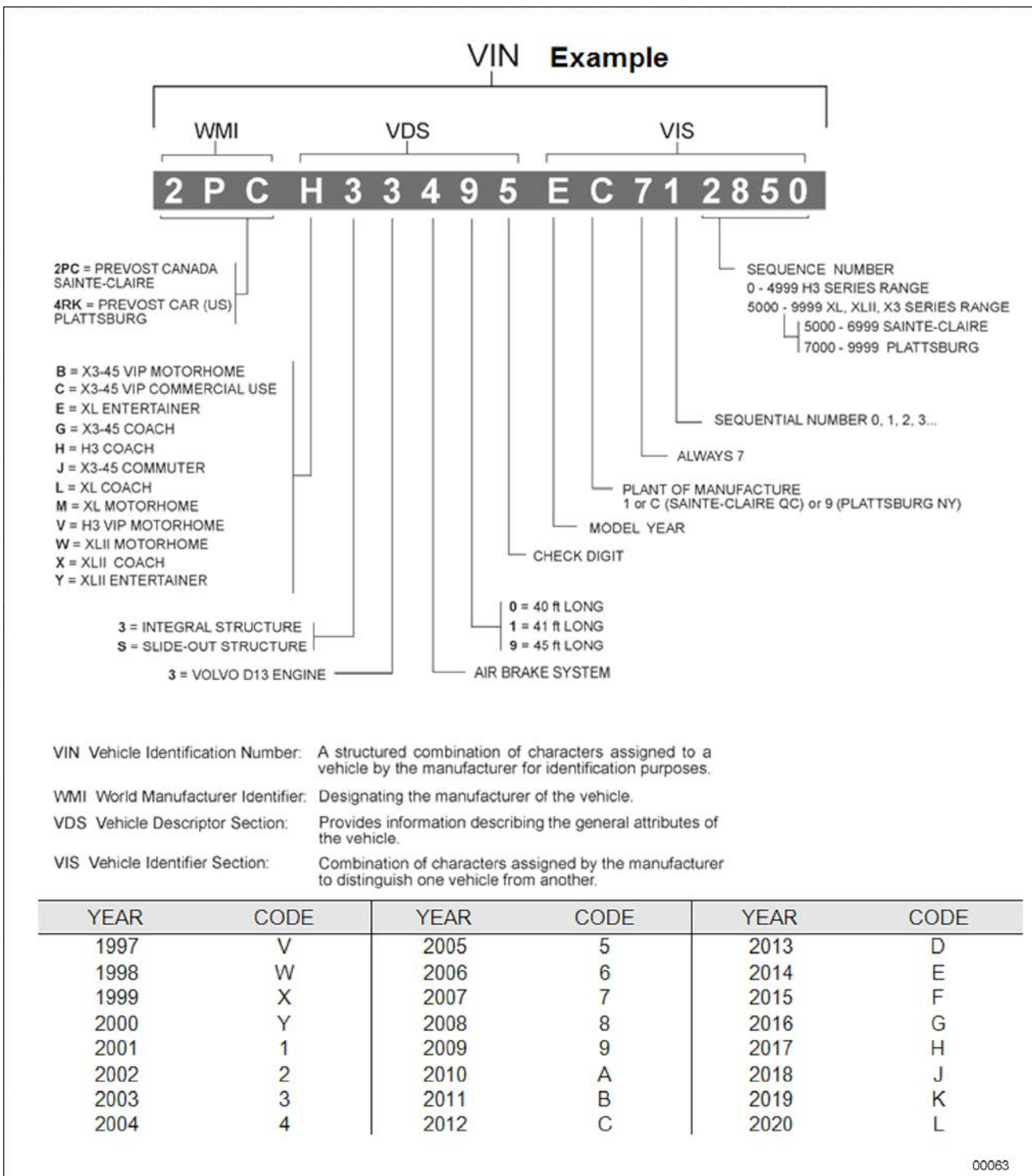
VEHICLE IDENTIFICATION NUMBER (H3 SERIES)

The Vehicle Identification Number is stamped on the DOT certification plate and also on a plate located on the windshield frame pillar (driver's side). The VIN is visible from the outside of the vehicle. Make sure the correct vehicle identification number is given when ordering replacement parts. Using the VIN when ordering parts will facilitate processing.

NOTE

Record the VIN in the vehicle documentation and keep with company records. The VIN will normally be used for vehicle registration, service reference needs and for obtaining vehicle insurance coverage.

VIN DEFINITION



COACH FINAL RECORD

The Coach Final Record is a record of all data pertaining to the assembly of the vehicle. This record is shipped to the new customer via a courier company. Retain this record in the company records office for reference and safe-keeping.