

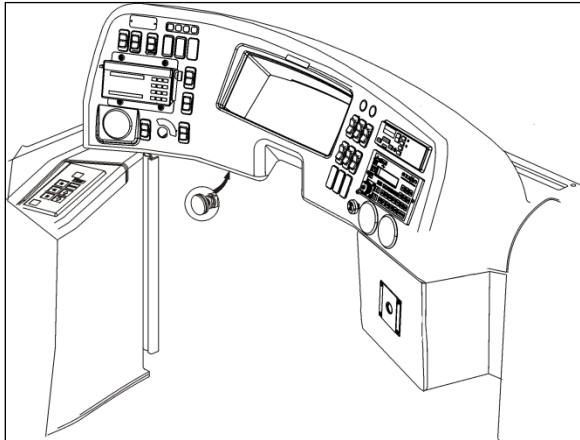
## SECTION 3 COACH INTERIOR

<b>STEERING WHEEL ADJUSTMENT</b> .....	<b>2</b>
<b>AISLE MIRROR</b> .....	<b>2</b>
<b>ADJUSTABLE HVAC REGISTERS</b> .....	<b>2</b>
<b>DRIVER’S SEAT – RECARO</b> .....	<b>2</b>
ADJUSTMENT .....	2
SAFETY BELTS .....	3
<b>PASSENGER SEATS</b> .....	<b>4</b>
PASSENGER SEAT BELTS.....	4
<i>ELR/ALR Retractor Lock Mode</i> .....	4
<b>OVERHEAD CONSOLE</b> .....	<b>5</b>
ADJUSTABLE AIR REGISTERS .....	5
STOP REQUEST .....	6
READING LIGHTS.....	6
<b>WINDOWS</b> .....	<b>6</b>
PANORAMIC WINDOWS.....	6
<i>Fixed Windows</i> .....	6
<i>Emergency Windows</i> .....	6
DRIVER’S POWER WINDOW .....	6
<i>Driver’s window shades</i> .....	6
<b>WINDSHIELD</b> .....	<b>6</b>
<b>VENTILATION HATCH</b> .....	<b>7</b>
<b>OVERHEAD COMPARTMENTS</b> .....	<b>7</b>

## 3-2 COACH INTERIOR

### STEERING WHEEL ADJUSTMENT

Push on the valve button located in the foot-operated control housing to unlock the steering wheel for tilt and telescopic adjustment (refer to “Controls and Instruments” section).



TILT AND TELESCOPIC ADJUSTMENT

18670\_1



### DANGER

Do not adjust the steering wheel while driving. Loss of control could result. Park the vehicle safely and apply parking brakes before adjusting the steering wheel.

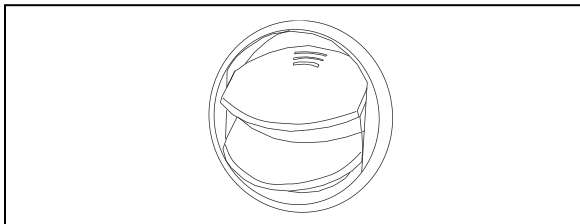
### AISLE MIRROR

A central mirror allows the driver to see in the aisle. Adjust mirror manually.

### ADJUSTABLE HVAC REGISTERS

The HVAC system has adjustable registers to control airflow around the driver's area. Three are located on the dashboard; two on the R.H. side and one on the L.H. (refer to Controls & Instruments section). Another one is located close to the door, below the modesty panel wall for step de-icing. The direction and volume of air flow are adjustable manually.

Use the HVAC control panel to set air temperature.



AIR REGISTER

22249

### DRIVER'S SEAT – RECARO

The vehicle is equipped with a Recaro Ergo MS seat.



### DANGER

The driver's seat must be adjusted to allow the driver easy access to the coach controls. Never adjust seat while driving a vehicle as this could result in loss of vehicle control.

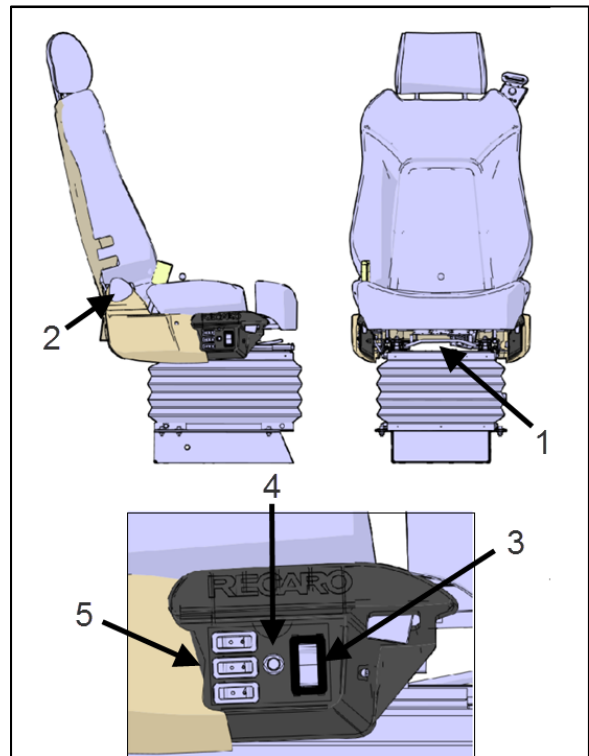


### DANGER


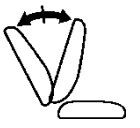
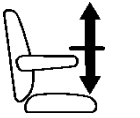


Make sure that seat is adjusted and that safety belt is buckled up before diving vehicle.

### ADJUSTMENT

Seat can be adjusted to the desired driving position by following the instructions listed below.



DRIVER'S SEAT ADJUSTMENT (RECARO)

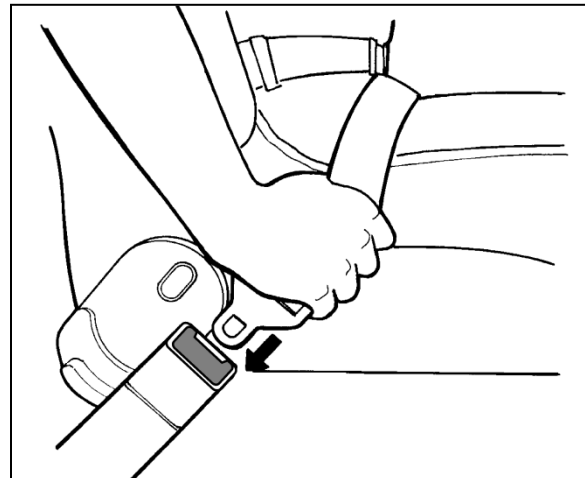
ITEM	DESCRIPTION
1	 <p><b>Fore and Aft</b> To adjust distance between driver and dashboard, pull handle (1) up and slide the seat forward or backward. Release handle to lock the seat in position.</p>
2	 <p><b>Backrest</b> Turn hand wheel recline (2) to adjust backrest to the desired angle.</p>
3	 <p><b>Up and Down</b> Toggle up/down switch (3) to adjust the height of the seat.</p>
4	 <p><b>Fore and Aft Auto Actuator</b> To adjust distance between driver and dashboard, push auto actuator (4) and slide the seat forward or backward. Release button to lock the seat in position.</p>
5	 <p><b>Lumbar Support</b> Use the 3-cell lumbar switches (5) to adjust lumbar support.</p>

**SAFETY BELTS**

The driver's seat is equipped with a 3-point retractable orange safety belt.

To fasten, pull the seat belt out of the retractor and insert the latch plate into the buckle until it clicks.

No special adjustment is required since the reel device is self-adjusting. If seat belt operation becomes defective, report to maintenance personnel immediately.



FASTENING SEATBELT

18028

**NOTE**

*The safety belt must be pulled out slowly and continuously, otherwise it will lock the reel before the latch plate reaches the buckle. If this happens, allow the belt to retract completely and repeat the procedure correctly.*

**WARNING**

A snug fit with the lap belt positioned low on the hips is necessary to maximize driver safety. The belt should not be worn twisted. Avoid pinching belt and/or belt hardware in seat mechanism. Do not wear belt over rigid or breakable objects, such as eyeglasses, pens or keys as these may cause injuries.

To unfasten belt, press the red button in the center of buckle and allow belt to retract. If the belt does not fully retract, pull it out and check for kinks or twists. Make sure that it remains untwisted as it retracts.

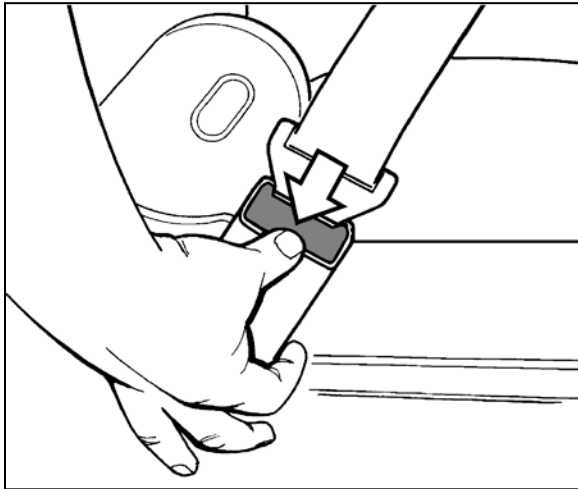
**WARNING**

Most State and Provincial laws require that safety belts be worn when they are supplied with the seat.

**NOTE**

The vehicle is equipped with a belt detection system; a warning alarm will be heard if the vehicle is moving above 3 mph (5 km/h) with the safety belt unfastened.

## 3-4 COACH INTERIOR



UNFASTENING SEATBELT

18029



### CAUTION

Never bleach or dry clean safety belt.

## PASSENGER SEATS

The seat layout accommodates 57 seated passengers.

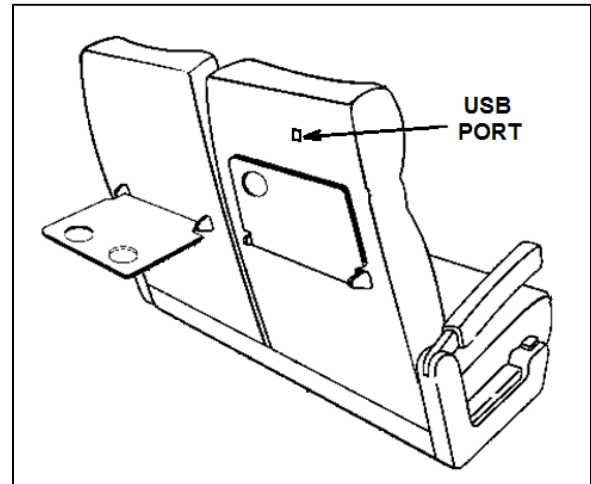
It features twenty (20) two passengers fixed seats, six (6) two-passenger reconfigurable seats and five (5) fixed rear cross single seats.



PASSENGER SEAT

18729

Passenger seats may be equipped with optional grip handles, newspaper holders, USB port, trays, cup holders, audio control modules, electrical outlets and footrests.



OPTIONAL PASSENGER SEAT EQUIPMENT

18121A

All seats are track-mounted so that the seating configuration can be changed. Each set is mounted on rectangular aluminum bases to make cleaning between the base and side wall easier.

Passenger seat backrests can be reclined by lifting the handle located under the belt receptacle.

Fold-up armrests are installed on the seat.

## PASSENGER SEAT BELTS

Passengers are strongly advised to wear seat belts at all times. Children can use a passenger seat belt as long as they are large enough to properly wear the seat belt. The shoulder belt must be correctly positioned over the child's shoulder and it must not touch the neck or lie below the shoulder.

To fasten, pull the seat belt out of the retractor and insert the latch plate into the buckle until it clicks. No special adjustment is required since the retractor device is self-adjusting. If the seat belt operation becomes defective, report to maintenance personnel immediately.

### ELR/ALR Retractor Lock Mode

Amaya passenger seat belts are equipped with switchable ELR/ALR retractor lock mode:

- **Emergency Locking Retractor (ELR) mode:** Allows the seat belt to extend and retract to allow passengers some freedom of movement in the seat. Locks only when the vehicle or occupant slows quickly/abruptly or stops suddenly. **Will not secure a child safety seat.**

- **Automatic Locking Retractor (ALR) mode:** Locks and maintains a fixed seat belt (lap belt) length during use. The belt cannot be extended further. **For use with a child safety seat.**

**CHILD RESTRAINT SYSTEMS**

**Occupants under 40" height must use Child Seat / Booster Seat**

The seat belts are equipped with switchable ELR/ALR retractor lock mode.

Activate the ALR retractor lock mode to hold a child restraint system by pulling the shoulder belt all the way out. Allow it to retract to desired length. Check that the belt straps are fully tightened and the retractor / webbing is locked.

*Note: Unbuckling the belt and allowing it to retract fully deactivates the ALR retractor*

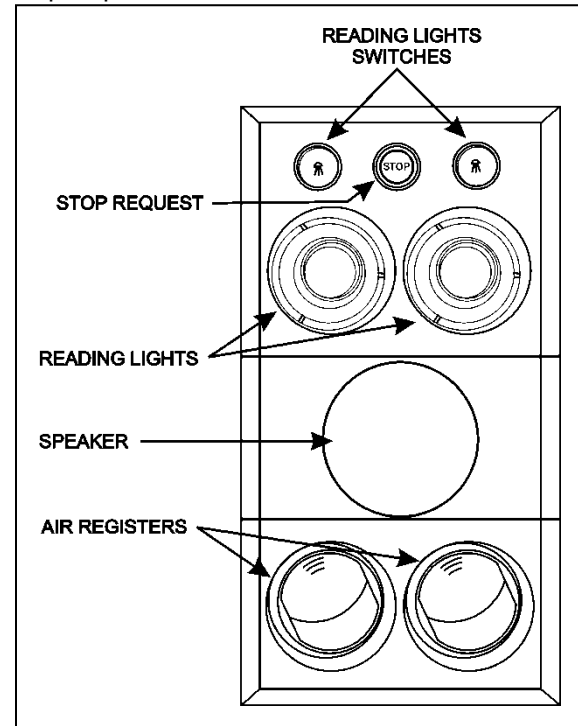
Failure to use the ALR lock mode will result in the child safety seat not being properly secured.

When using a **booster seat**, do not pull the shoulder belt all the way out. Doing so would engage the ALR lock mode which is not recommended with a booster seat.

Install the child seat/booster according to the manufacturer's instructions.

## OVERHEAD CONSOLE

One airplane type overhead console is installed above each row of twin seats. It provides such amenities as reading lights, air registers and stop request service.



OVERHEAD CONSOLE

23137

For passengers with a wheelchair, a tape switch is available at the bottom of the window for a stop request.



## ADJUSTABLE AIR REGISTERS

Manually adjustable registers located on the overhead console provide air flow to the passengers. Airflow can be directed, passengers can orient individual registers by rotating the nozzle. To adjust airflow, passengers must open or close the flaps. Activation of the fans is done by depressing a rocker switch on the dashboard. Refer to Controls & Instruments section.

## 3-6 COACH INTERIOR

### STOP REQUEST

Passengers can request a stop for disembarking by pressing the “STOP” request button on the overhead console by touching the tape switch. This will illuminate the button and activate a warning sound in the driver area, this will also light-up a warning signal on the dashboard. Press the “STOP” request button a second time to cancel the stop request.

A “STOP” request button is provided for the wheelchair occupant on the window sill of the coach, within easy reach. Pressing this “STOP” request button will sound two gongs to identify the wheelchair occupant.

### READING LIGHTS

Reading lights are mounted underneath the overhead storage compartments. Depressing a rocker switch located on the dashboard (refer to Controls & Instruments section) will activate the reading light circuit and allow passenger control of reading lights.

### WINDOWS

The vehicle is equipped with frameless flush-mounted “Galaxsee” windows all around and a split-window windshield for maximum visibility.

### PANORAMIC WINDOWS

Panoramic side windows come in single pane glass. Some of these windows are of the fixed type; they are bonded to the structure and cannot be opened. Others can be easily opened to serve as emergency exits.

#### Fixed Windows

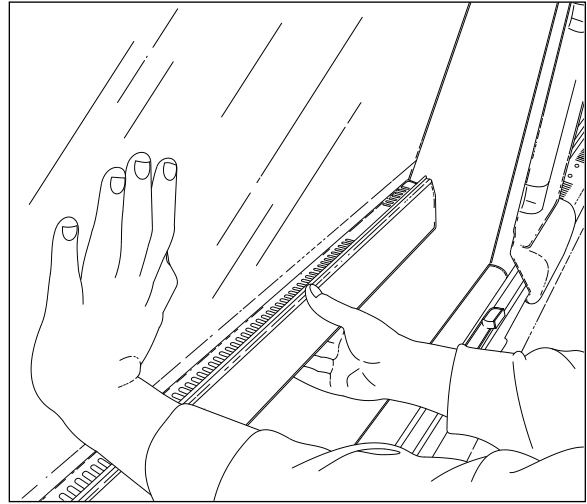
These windows are bonded to the structure and form an integral part of the body of the vehicle, helping reduce vibration and noise. Fixed windows cannot be opened.

#### Emergency Windows

These windows can be opened from inside the vehicle as emergency exits. A riveted tag on window sills indicates the location of the emergency windows. To open an emergency window, lift the window release bar (sill) and push the window open from the bottom.

To close, lift the release bar and pull the window into position. Push down on release bar to lock the window shut.

For more information on emergency features, refer to “Safety Features and Equipment” section.



EMERGENCY WINDOW OPENING

18391

### DRIVER'S POWER WINDOW

The driver has a power window on the left side of the coach. The windows are controlled by a rocker switch located on the driver's control panel. Refer to “Controls and Instruments” section.

#### Driver's window shades

This vehicle is provided with a sunshade on the driver's left side window. To operate, pull down the shade using the button in the middle. Use the same button and pull up to raise the sunshade.

### WINDSHIELD

Two manually operated shades are installed behind the windshield. To operate, pull down the shade by its button in the middle to the appropriate position. It will remain in position. To retract, pull up the shade by its button in the middle.



SPRING RELEASE SUNSHADE

23019

**NOTE**

*The overhead storage compartments have a minimum amount of separators installed to facilitate inspection for left behind items.*

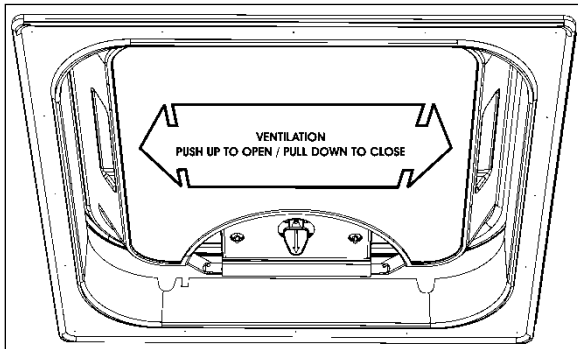


OVERHEAD STORAGE COMPARTMENTS

18603

**VENTILATION HATCH**

A ventilation hatch is installed in the ceiling at the rear of the coach and at the front of the coach. To open the hatch, push up with both hands and pull down to close. The ventilation hatch can be completely open for emergency egress. Refer to “Safety Features and Equipment” section.



VENTILATION HATCH



**WARNING**

Be aware of coach overhead clearance when traveling under overpasses with the ventilation hatches open. Check for maximum clearance height.

**OVERHEAD COMPARTMENTS**

Passenger carry on baggage is stored in overhead compartments on each side of the coach. A first-aid kit is located in the second front curb side overhead storage compartment.

To open the closed overhead storage compartments, push the handle in to release the latch, then let go. A pressurized cylinder opens the door.

