

## CONTENTS

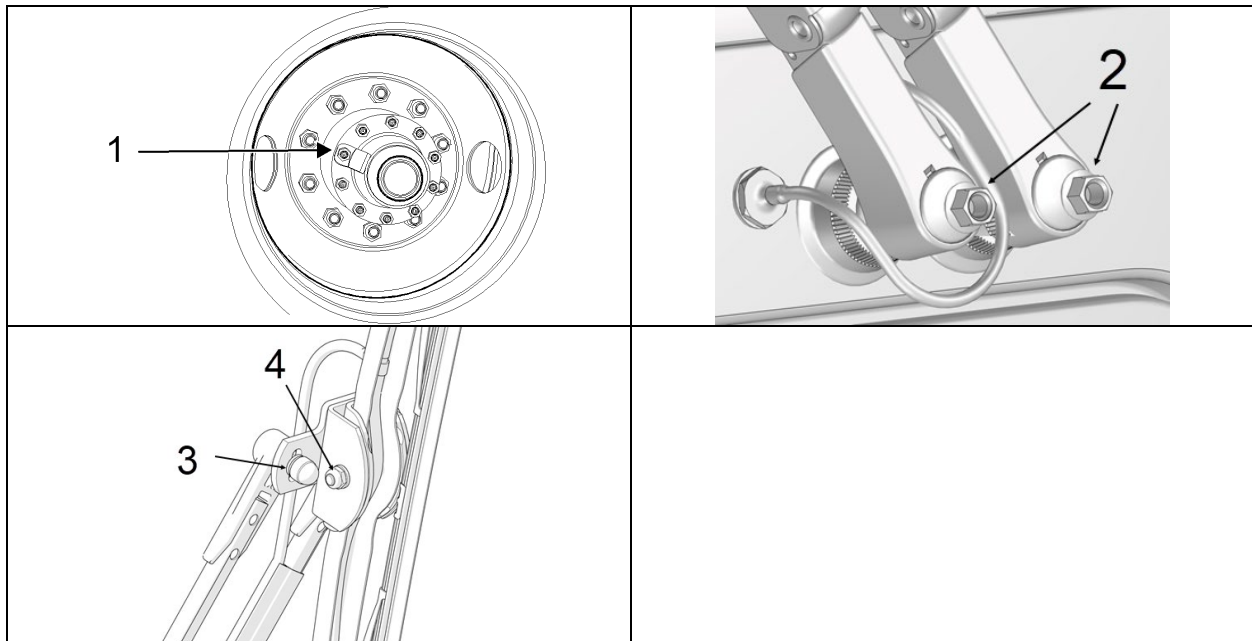
SECTION CHANGE LOG.....	3
<b>1. TORQUE TABLES.....</b>	<b>4</b>
<b>2. AUDIO AND VIDEO SYSTEM DESCRIPTION.....</b>	<b>6</b>
2.1 TROUBLESHOOTING.....	9
2.2 HOW TO RECEIVE SERVICE FOR YOUR REI AUDIO AND VIDEO PRODUCTS .....	9
2.3 DASHBOARD RADIO .....	10
2.3.1 Removal/Installation.....	10
2.4 VSS-05 SOUND SELECTOR .....	10
2.4.1 Removal/Installation.....	10
2.5 400W DSP POWER AMPLIFIER.....	11
2.6 SPEAKERS.....	11
2.7 BOOM-TYPE MICROPHONE .....	11
2.7.1 Removal.....	11
2.7.2 Installation.....	12
2.8 HANDHELD PRIORITY MICROPHONE .....	12
2.9 WIRELESS MICROPHONE .....	12
2.10 DRIVER'S SPEAKERS .....	13
2.11 MONITOR REMOVAL.....	13
2.12 SCENIC VIEWING SYSTEM .....	13
2.13 ROOF ANTENNA INSTALLATION.....	13
<b>3. BACK-UP CAMERA AND MONITOR.....</b>	<b>14</b>
<b>4. HUB ODOMETER .....</b>	<b>16</b>
4.1 DESCRIPTION .....	16
4.1.1 REMOVAL.....	16
4.1.2 INSTALLATION.....	17
4.2 OPERATION .....	17
<b>5. ELECTRONIC DESTINATION SIGN (OPTIONAL).....</b>	<b>17</b>
5.1.1 DESCRIPTION.....	17
<b>6. WINDSHIELD SUNSHADES .....</b>	<b>17</b>
6.1 END OF STROKE ADJUSTMENT .....	17
6.2 END OF STROKE ADJUSTMENT ON MOTORIZED SUNSHADES WITH CANTILEVER ARMS.....	18
<b>7. PASSENGER SUNSHADES .....</b>	<b>18</b>
7.1 PRELOAD ADJUSTMENT .....	19
<b>8. LAVATORY.....</b>	<b>19</b>
8.1 DESCRIPTION .....	19
8.2 MAINTENANCE .....	19
8.3 VENTILATION FAN.....	19
8.3.1 Maintenance.....	20
8.3.2 Removal and Installation .....	20
8.4 DOOR LOCK.....	20
8.5 LAVATORY LIGHT WITH MOTION SENSOR.....	20
8.5.1 Removal and Installation .....	20
8.5.2 Dip Switch Settings.....	21

8.6	EMERGENCY BUZZER .....	21
8.7	FRESH WATER TANK .....	21
8.7.1	<i>Fresh Water Tank Heater (Optional)</i> .....	21
8.7.2	<i>Fresh Water Tank Draining</i> .....	21
8.7.3	<i>Fresh Water Tank Filling</i> .....	21
8.8	LIQUID SOAP DISPENSER .....	22
8.9	FLUSH PUSH-BUTTON .....	23
8.9.1	<i>Pneumatic Timer Removal and Installation</i> .....	23
8.9.2	<i>Timer Adjustment</i> .....	23
8.10	FLUSH PUMP.....	23
8.10.1	<i>Flush Pump Pressure Adjustment</i> .....	23
8.11	SUMP TANK.....	23
8.11.1	<i>Sump Tank Draining</i> .....	23
8.11.2	<i>Sump Tank Filling</i> .....	24
8.12	CLEANING CABINET.....	24
<b>9.</b>	<b>AIR HORN VALVE.....</b>	<b>24</b>
9.1	AIR HORN VALVE MAINTENANCE .....	24
<b>10.</b>	<b>WINDSHIELD WIPERS .....</b>	<b>25</b>
<b>11.</b>	<b>AUTOMATIC FIRE SUPPRESSION SYSTEM (AFSS) (OPTIONAL).....</b>	<b>25</b>
11.1	STARTING THE VEHICLE AFTER TRIGGERING OF A FIRE ALARM .....	25
11.2	PERIODIC MAINTENANCE .....	25
<b>12.</b>	<b>TIRE PRESSURE MONITORING SYSTEM (TPMS).....</b>	<b>26</b>
<b>13.</b>	<b>ELECTRIC BRAKE CONTROL SYSTEM FOR TRAILER.....</b>	<b>26</b>
13.1	A40 CONNECTOR .....	26
13.2	7-BLADE RV/TRAILER CONNECTOR.....	27
13.3	VECT.....	28
<b>14.</b>	<b>WHEELCHAIR LIFT CASSETTE INSTALLATION .....</b>	<b>28</b>
<b>15.</b>	<b>WHEELCHAIR LIFT CASSETTE DISMOUNTING .....</b>	<b>30</b>

SECTION CHANGE LOG

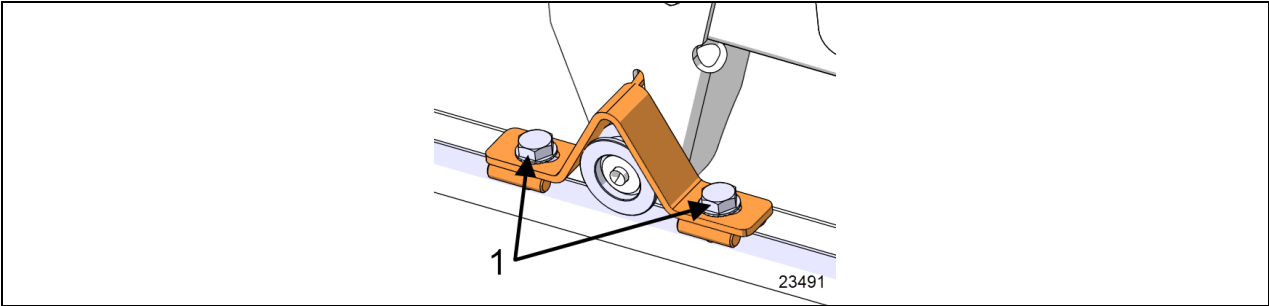
DESCRIPTION		DATE
1	Headlight cleaning system removed	Oct. 2023
2		
3		
4		
5		
6		

1. TORQUE TABLES



MISCELLANEOUS

No	DESCRIPTION	TORQUE
1	Hub odometer mounting bolts	110-165 lb-ft (149-224 Nm)
2	Wiper arm mounting nut	26-33 lb-ft (35-45 Nm)
3	Wiper blade adjustment nut	71-88 lb-in (8-10 Nm)
4	Wiper blade mounting nut	71-88 lb-in (8-10 Nm)



**WHEELCHAIR LIFT CASSETTE INSTALLATION**

No	DESCRIPTION	TORQUE
1	WCL CASSETTE ANCHOR BOLTS	55-65 lb-ft (75-88 Nm)

## 2. AUDIO AND VIDEO SYSTEM DESCRIPTION

The rack mounted components are gathered on the audio-video panel which is located in the first driver's side overhead compartment (Figure 1). In addition to the 400 watts power amplifier, an E-HDMI (automotive grade) switch provides options for systems such as TV, DVD, customer provided media player, scenic view and back-up cameras, GPS navigation system and wireless microphones. Options for AM/FM radio, satellite radio, karaoke, and other's entertainments systems may also be featured.

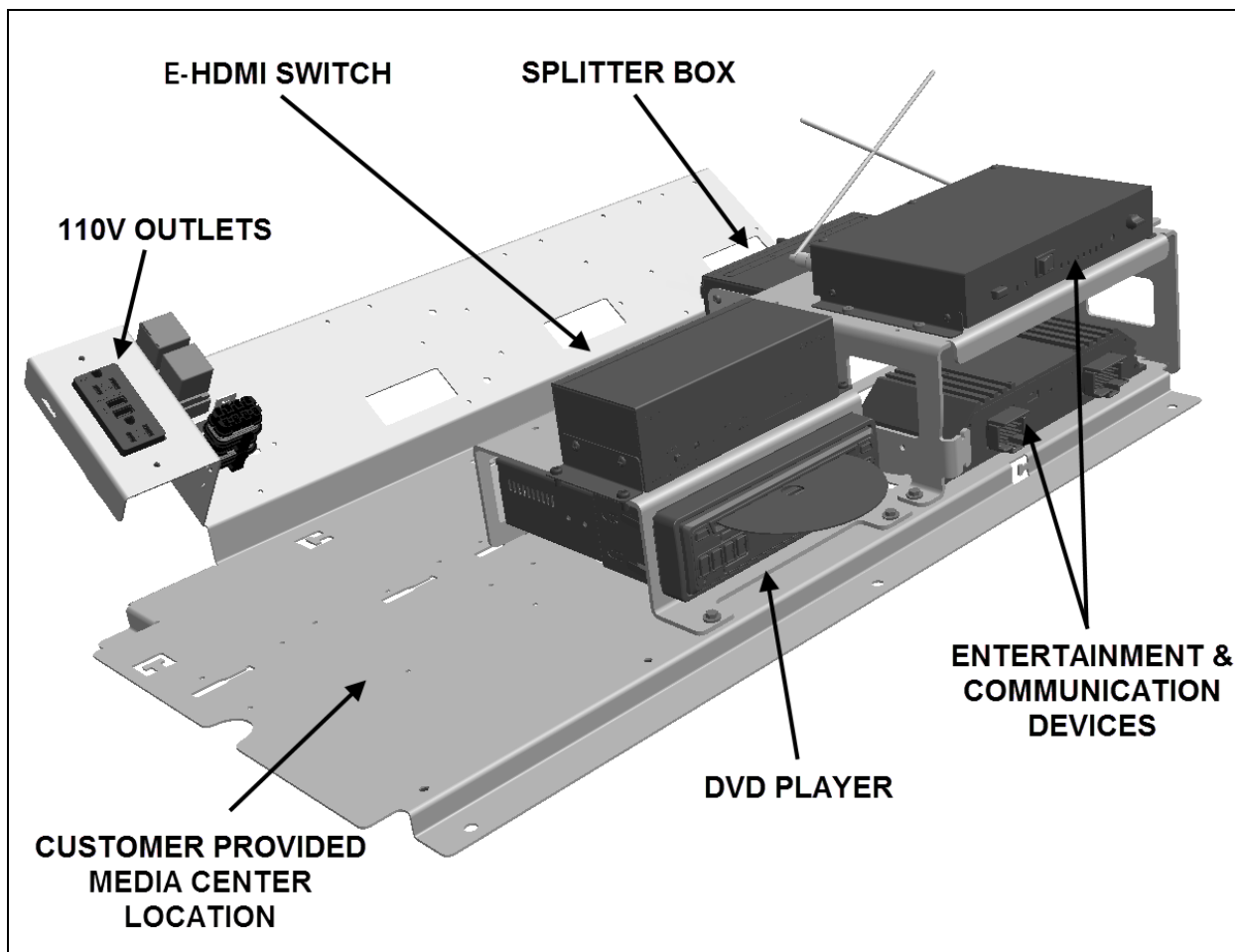


FIGURE 1: AUDIO-VIDEO PANEL IN OVERHEAD COMPARTMENT

A splitter box is also mounted on the audio/video panel and provides connection for four LCD screens. On some vehicles, a second splitter box mounted in the first curbside overhead compartment will allow the use of a total of six LCD screens.

Each passenger's overhead console mounted to the underside of the overhead compartments contains a 20-watt coaxial 10cm speaker. Powered by the amplifier, the speakers (24 in H3-41 or 28 in H3-45) are wired in stereo and arranged in a delta configuration.

A microphone outlet mounted in the driver's area is also provided as standard equipment.

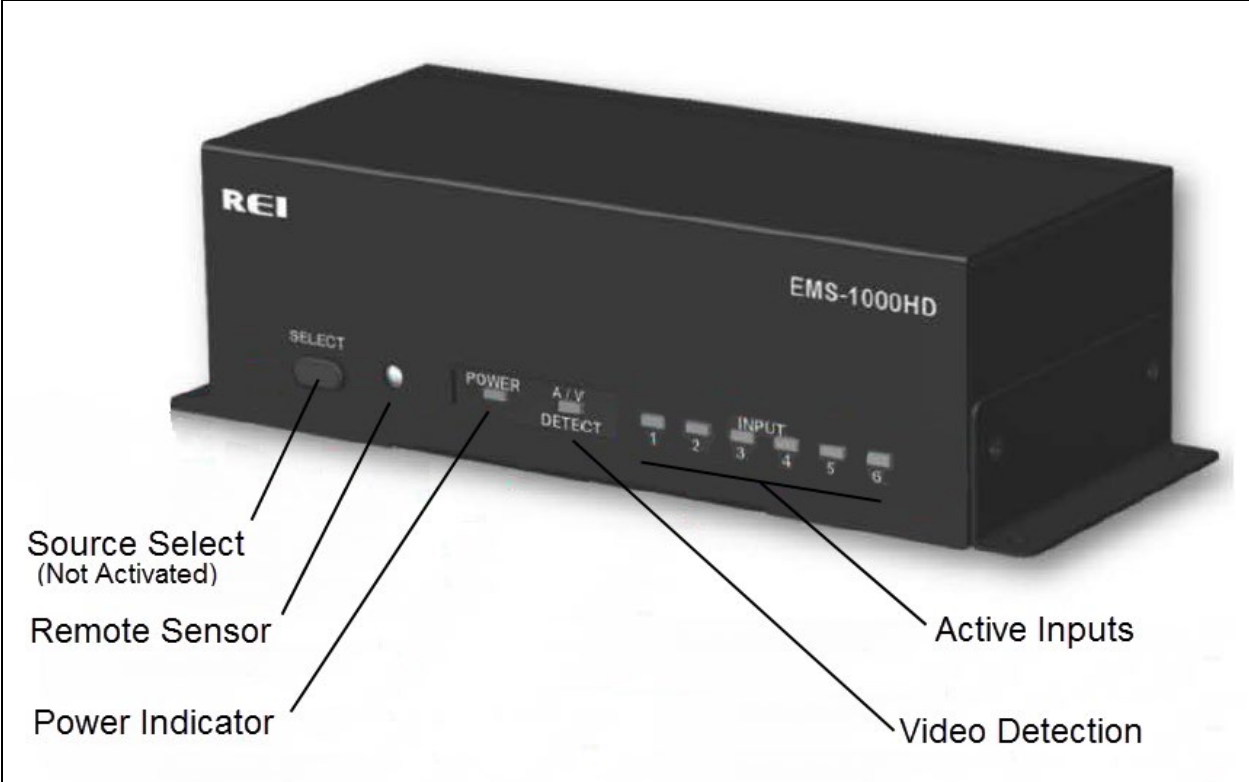


FIGURE 2: AUDIO-VIDEO CONTROLS AND INDICATORS ON THE FRONT FACE OF THE E-HDMI SWITCH

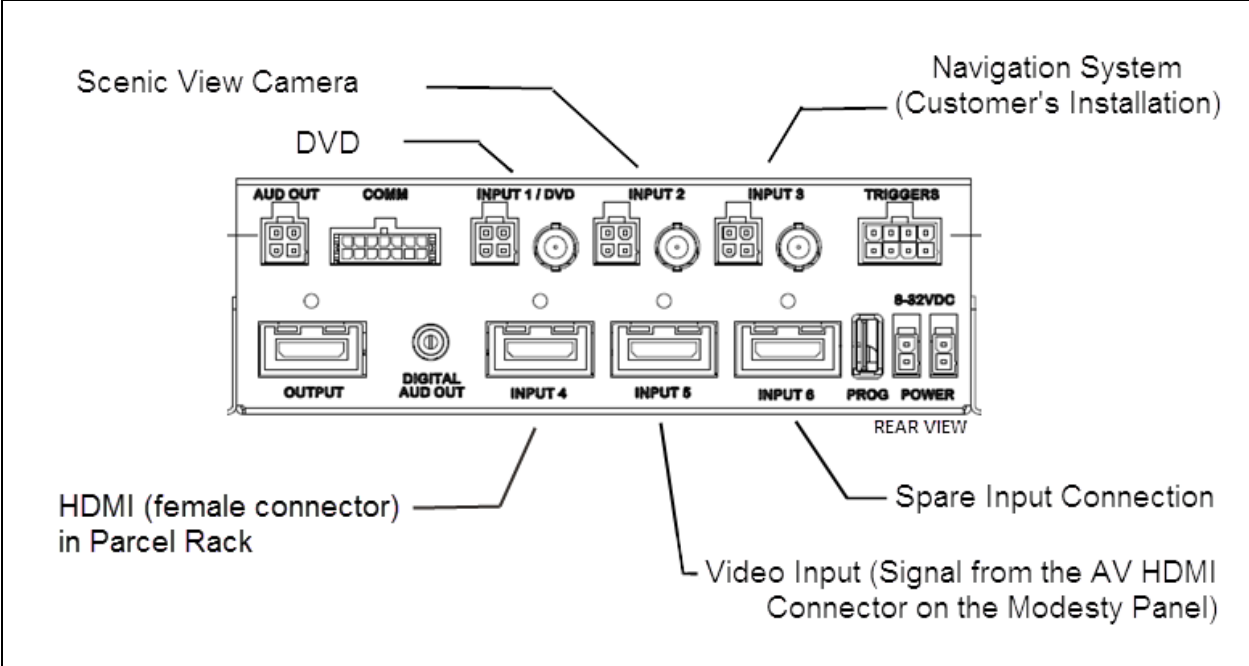


FIGURE 3: AUDIO-VIDEO CONNECTIONS AT THE BACK OF THE E-HDMI SWITCH

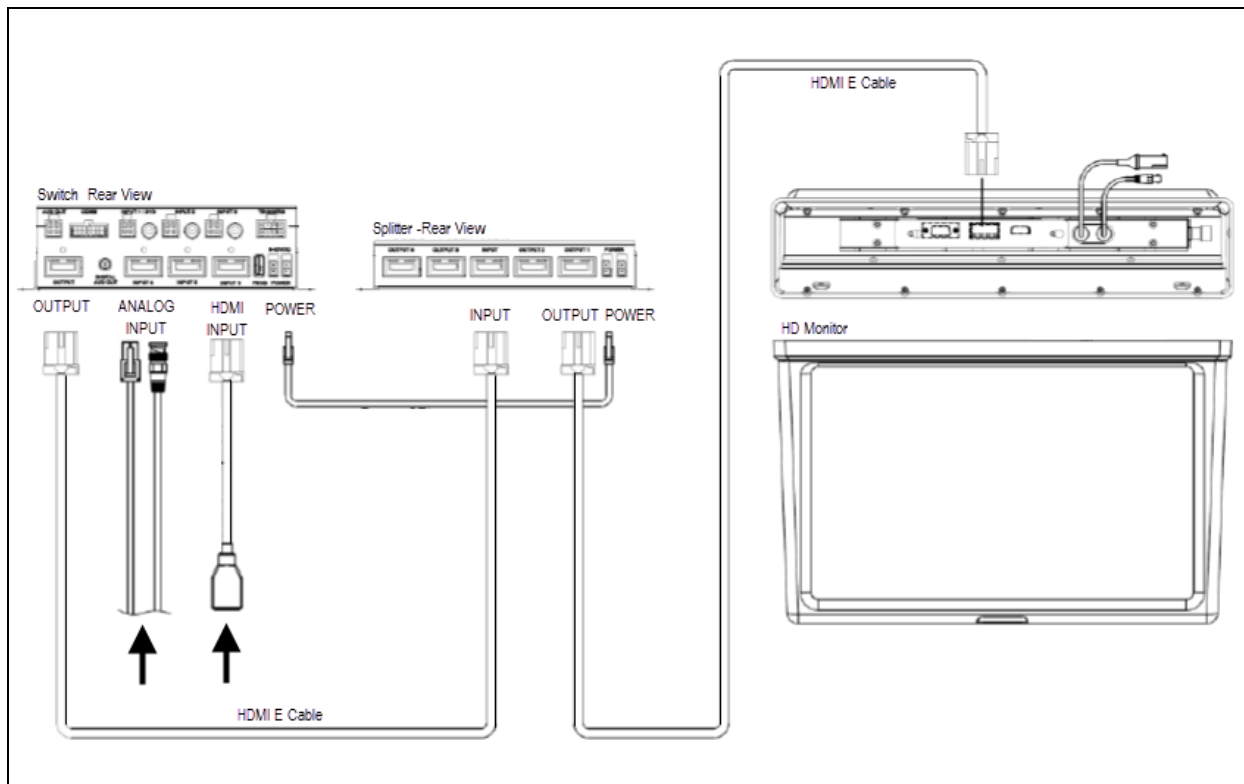


FIGURE 4: TYPICAL AUDIO-VIDEO CONNECTIONS USING FOUR OUTPUT SPLITTER BOX

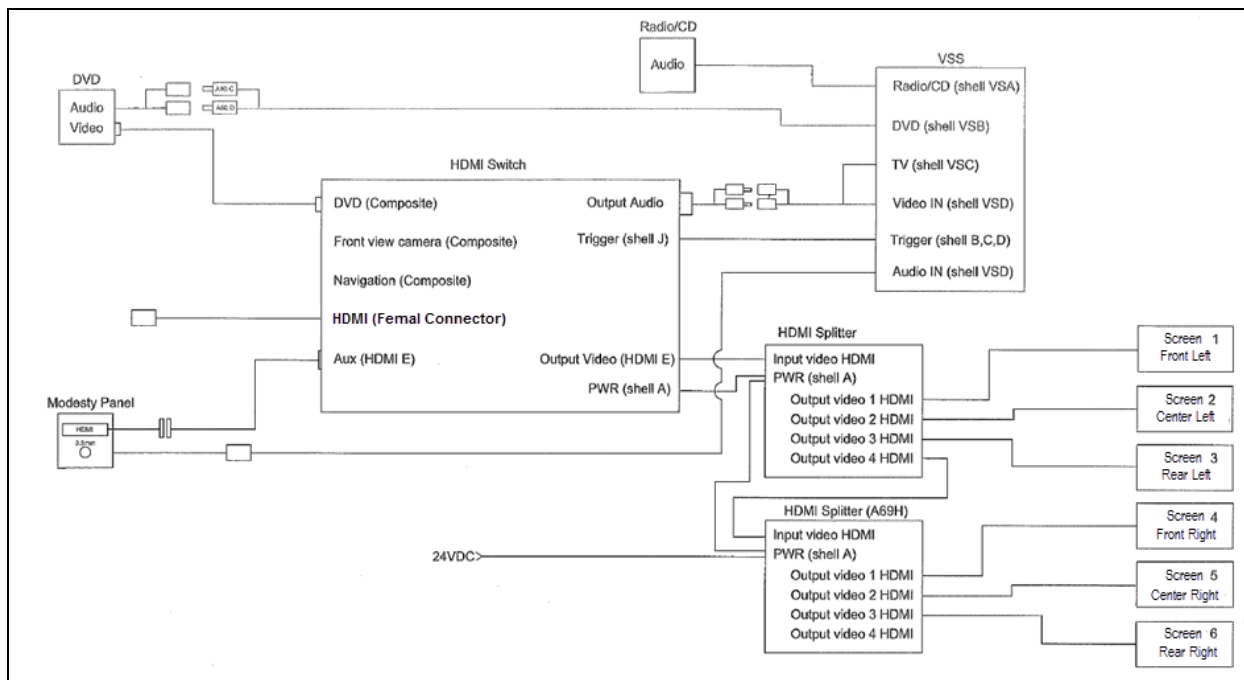


FIGURE 5: AUDIO-VIDEO CONNECTIONS USING TWO SPLITTER BOXES TO ALLOW THE USE OF SIX LCD MONITORS



## 2.1 TROUBLESHOOTING

Symptom	Possible Causes / Solutions
No picture, no sound	Check for proper voltage supply and correct cable connections. Ensure that the desired input is selected.
No picture	Check whether AV cable is properly connected. Check whether HDMI cables are properly connected. Verify that HDMI source is connected to "INPUT" connector and devices to "OUTPUT". Verify power connection and voltage.
No sound	Check for proper cable connections. Verify that the source volume level is properly set.
Remote control not working	Check that remote control is pointed toward device sensor. Verify remote batteries.

## 2.2 HOW TO RECEIVE SERVICE FOR YOUR REI AUDIO AND VIDEO PRODUCTS

For assistance in obtaining service for REI products call toll free 877-726-4617 (Continental United States and Canada) between the hours of 7:00 A.M. - 5:00 P.M. CST Monday thru Friday (excluding Holidays).

Prior to calling REI, please have the part number, serial number, VIN number and detailed description of the problem ready to provide to the REI service representative. After providing information to REI, customers will be issued a return authorization number. When the REI service representative provides the return authorization number, they will also give instructions for returning the item. Any discrepancies in following this procedure may cause delays in the process.

**24/7** Tech Support

**CALL 1-877-726-4617**

E-Mail to [technicalsupport@radioeng.com](mailto:technicalsupport@radioeng.com)

## REI Authorized Repair Facilities

REI  
6534 L Street  
Omaha, Nebraska 68117

REI  
1376 Bennett Drive, Unit 126  
Longwood, Florida 32750

REI products that may be installed in your coach:

MONITOR, COLOR BACK-UP CAMERA  
 MONITOR, LCD 15.6"  
 MONITOR, CENTRAL LCD 15.6"  
 MONITOR, FLIP 19"  
 MONITOR, 16:9 CENTRAL LCD 19"  
 INDIVIDUAL ENTERTAINMENT SYSTEM  
 AMPLIFIER, 8-CHANNEL  
 DVD PLAYER

DVD REMOTE CONTROL  
 CAMERA, COLOR BACK-UP  
 CAMERA, COLOR PANORAMIC  
 MICROPHONE, 10" CB TYPE  
 MICROPHONE, WIRELESS  
 RECEIVER, WIRELESS MIC 16-CHANNEL  
 ENHANCED MEDIA SWITCH (E-HDMI)  
 E-HDMI SPLITTER BOX

### 2.3 DASHBOARD RADIO



FIGURE 6: DASHBOARD RADIO

**NOTE**

*Before attempting to solve an electrical problem on the sound system, refer to the wiring diagrams.*

Refer to your vehicle Operator's manual for the radio operating instructions.

#### 2.3.1 Removal/Installation

To remove the radio from its location, proceed as follows:

1. Place the ignition switch in the "OFF" position.
2. Remove the dashboard cover.
3. Unplug the connectors from the radio and unfasten back plate securing nuts/screws.
4. On the front side of the unit, insert the removal tool #20584494 in the holes found each side in order to separate the unit from the support.
5. From behind, push the unit through the front dashboard panel.
6. Installation of a new unit is the same as removal but in reverse order.

### 2.4 VSS-05 SOUND SELECTOR



FIGURE 7: VSS-05 SOUND SELECTOR

#### 2.4.1 Removal/Installation

To remove the Sound Selector from its location, proceed as follows:

4. Place the ignition switch in the "OFF" position.
5. Remove the dashboard cover.
6. Unplug the connectors from the VSS and unfasten back plate securing nuts/screws.
7. On the front side of the unit, insert the removal tool #20584494 in the holes found each side in order to separate the unit from the support.
8. From behind, push the unit through the front dashboard panel.
9. Installation of a new unit is the same as removal but in reverse order.

The operating instructions are included in the Operator's Manual.

2.5 400W DSP POWER AMPLIFIER

This 400-watt, 8 channels digital amplifier brings an added dimension to your stereo equipment and increases the total output of the system.

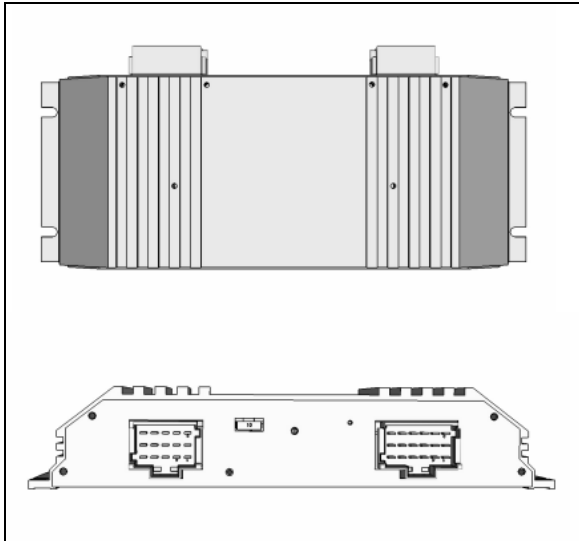


FIGURE 8: MULTICHANNEL 400W POWER AMPLIFIER

CONNECTOR 9-966140-2 PINOUT			
Terminal	Function	Terminal	Function
1	R-DOOR (-)	9	L-DASH (-)
2	R-DASH (+)	10	GROUND
3	R-DASH (-)	11	GROUND
4	R-DOOR (+)	12	GROUND
5	L-DOOR (+)	13	+24V
6	L-DOOR (-)	14	+24V
7	REMOTE	15	+24V
8	L-DASH (+)	16	

CONNECTOR 9-966140-1 PINOUT			
Terminal	Function	Terminal	Function
1	R-BUNK (-)	10	INPUT-RR (+)
2	WOOFER (1) (-)	11	INPUT-RR (-)
3	WOOFER (1) (+)	12	
4	R-BUNK (+)	13	INPUT-LR (-)
5	L-BUNK (-)	14	INPUT-LR (+)
6	L-BUNK (+)	15	INPUT-LF (+)
7		16	INPUT-RF (+)
8	WOOFER (2) (-)	17	INPUT-RF (-)
9	WOOFER (2) (+)	18	INPUT-LF (-)

FIGURE 9: AMPLIFIER CONNECTORS PINOUT

2.6 SPEAKERS

Each passenger’s overhead console mounted to the underside of the overhead compartments contains a 20-watt coaxial 10cm speaker. The

speakers (24 in H3-41 or 28 in H3-45) in the passenger’s section, wired in stereo and arranged in a delta configuration are powered by the amplifier.



FIGURE 10: 10CM COAXIAL SPEAKER

The vehicle may be equipped with two additional Hi-Fi speakers in the driver’s area, mounted one on each side. This arrangement provides the driver with clear stereo sound. Controls for the driver’s audio are performed through the dashboard radio.

Two specially designed subwoofers are fixed under a passenger seat with anti-vibration supports.

2.7 BOOM-TYPE MICROPHONE

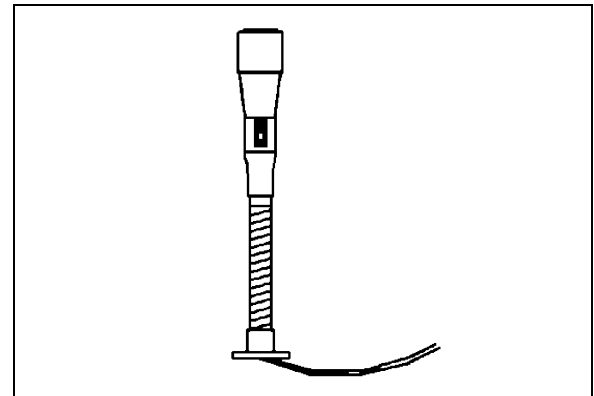


FIGURE 11: BOOM-TYPE MICROPHONE 23083

2.7.1 Removal

1. Place the ignition switch in the “OFF” position.
2. Remove the mounting screws at mounting flange.

3. Disconnect wiring.

### 2.7.2 Installation

1. Reconnect wiring.
2. Align mounting flange with holes and install screws.
3. Remove spacer block mounting screws.
4. Insert spacer block and install mounting screws.
5. Place the battery master switch in the "ON" position.

## 2.8 HANDHELD PRIORITY MICROPHONE

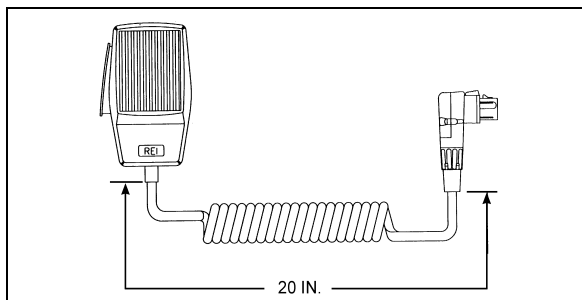


FIGURE 12: HANDHELD PRIORITY MICROPHONE 23216

## 2.9 WIRELESS MICROPHONE

The wireless microphone, receiver and charging cradle are custom designed units that allow for wireless communication from anywhere on the coach. The unit consists of a receiver mounted in the parcel area directly behind the driver, and a rechargeable hand-held microphone and charging unit. Instructions for proper use of the microphone are included in the "REI Operating Manual" which is provided in the technical publications box delivered with the vehicle.

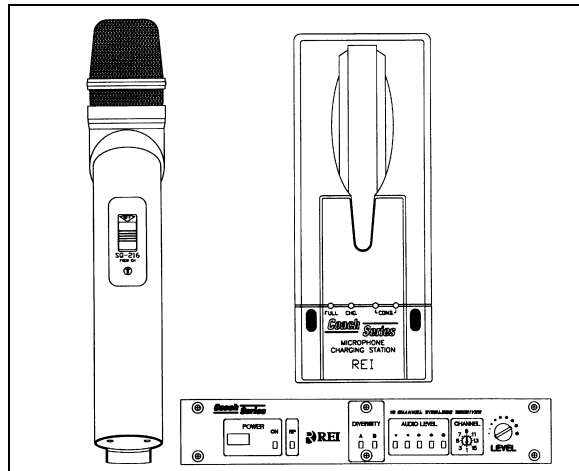


FIGURE 13: WIRELESS MICROPHONE

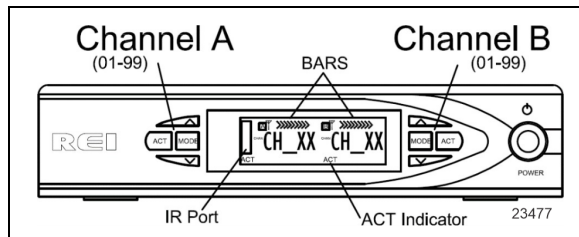


FIGURE 14: WIRELESS MIC RECEIVER

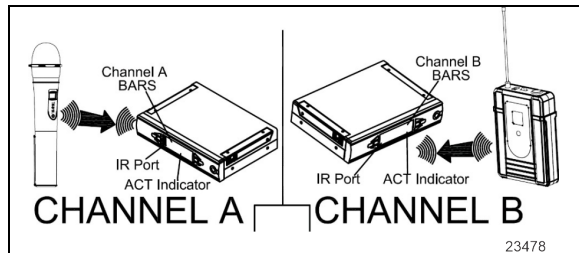


FIGURE 15: MIC DEVICES

Handheld mic always airs to channel A and belt pack mic always pairs to channel B.

To pair microphone to receiver:

- Press ACT button for appropriate channel. ACT indicator on receiver display will blink to show the receiver is searching for the device to be paired.
- Turn device on and face the IR ports towards the display on the receiver.
- When device has paired, there will be bars across the top edge of the receiver display for the appropriate channel.

## 2.10 DRIVER'S SPEAKERS

The driver's speakers are mounted one on each side. This arrangement provides the driver with clear stereo sound. Controls for the driver's audio allow selection between the radio and the auxiliary audio (independent of the passenger's speakers) or muting the speakers.

## 2.11 MONITOR REMOVAL

1. Place the ignition switch in the "OFF" position.
2. Unfasten the retaining screw located on the monitor R.H. side.
3. Slide the monitor to the right to release it from the mounting bracket.

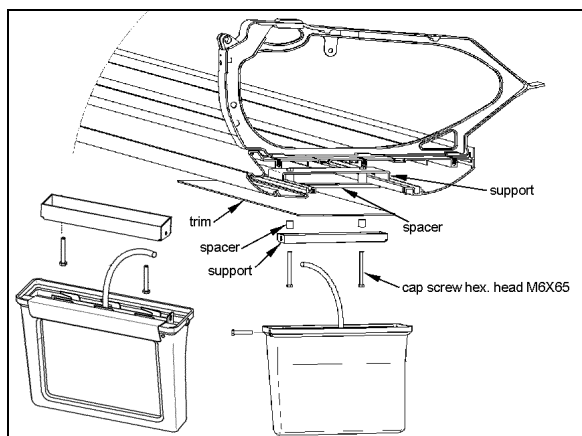


FIGURE 16: MONITOR MOUNTING

23221

## 2.12 SCENIC VIEWING SYSTEM

The scenic viewing system enables the passengers to view the road ahead of the vehicle. This system is composed of a camera, a dashboard mounted ON/OFF switch and the video switcher located on the audio-video panel

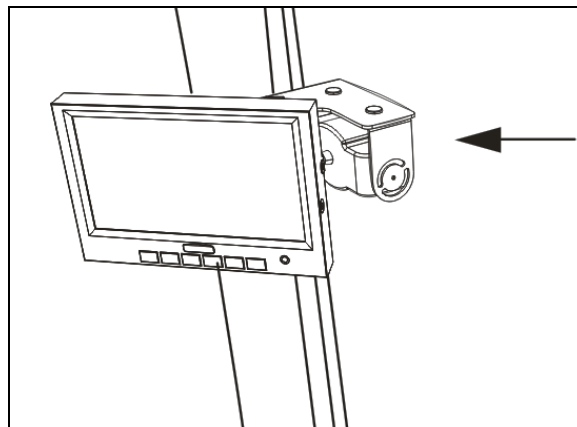


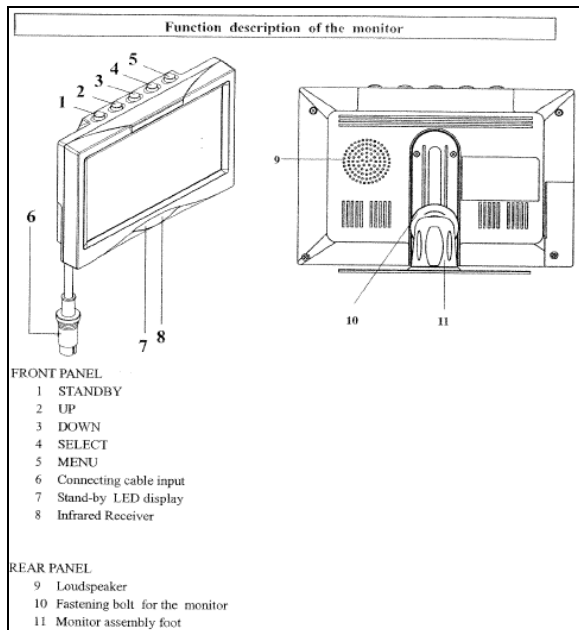
FIGURE 17: SCENIC VIEW CAMERA

## 2.13 ROOF ANTENNA INSTALLATION

1. Find the desired location and drill a hole according to specification.
2. To remove dirt and grease, wash hole edge with alcohol.
3. If so equipped, remove foam padding ring from antenna to free the metal surface (foam can produce air bulbs in new rubber seal).
4. With SIKA 205, wash the vehicle hole edge and the antenna base surface, wait at least two (2) minutes for chemical evaporation.
5. Apply new seal SIKA 221 on both, vehicle hole edge and antenna base.
6. Fix the antenna in place.
7. Remove excess seal and complete a finishing joint all around the antenna base.

### 3. BACK-UP CAMERA AND MONITOR

An optional back-up camera is available which provides the driver with visual assistance when backing-up. The camera is automatically activated when the transmission is put in reverse gear and the ignition switch is "ON".



#### BUTTON DESCRIPTION

**1) STANDBY** On/Off switch

**2) UP** This key has 3 functions

- Increase of the volume during normal operation;
- Modification of the setting within a function e.g. contrast (after calling up the menu);
- By pressing this key when putting in the reverse gear, the distance markings move upwards;

**3) DOWN** This key has 3 functions

- Decrease of the volume during normal operation;
- Modification of the setting within a function e.g. contrast (after calling up the menu);
- By pressing this key when putting in the reverse gear, the distance markings move downwards;

**4) SELECT** This key has 3 functions

- Selection of the video sources (CA1 → CA2 → AV → CA1). Press less than 1.5 seconds;
- Selection of the functions e.g. picture setting (after calling up the menu);
- Deleting and calling OSD letters of title & time (press longer than 1.5 seconds) during normal operation;

**5) MENU** This key has 2 functions

- Activation of the dimmer function (press less than 1.5 seconds) during normal operation;
- Calling up the menu (press longer than 1.5 seconds, four menus can be called up). Press the key once again to call up the individual menus;
  - a) PICTURE= Functions for the image setting;
  - b) USER= Selection of the system function;
  - c) TIME= Setting time and date;
  - d) INSTALL= Setting the camera function (e.g. mirror function);

#### 6) BUSH FOR THE MONITOR CABLE OF THE CONNECTION BOX

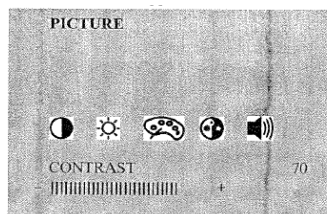
#### 7) STANDBY DISPLAY

#### 8) INFRARED RECEIVER

#### MONITOR MENU DISPLAY

The monitor (RV59 HD) is equipped with an On-Screen Display (OSD) function which displays date, camera, channel, mirror mode and distance markings. These functions can be selected on MENU. To calling up the menu, press longer than 1.5 seconds. Four menus can be called up. Press the key once again to call up the individual menus.

For calling up the menu PICTURE press the key **MENU** longer than 1.5 seconds. The menu PICTURE appears.



Graphic means the followings.

- CONTRAST
- BRIGHTNESS
- COLOR
- TINT
- VOLUME

Select the function (e.g. contrast) by pressing the key **SELECT** repeatedly. The setting within the function can be modified with the keys **UP** and **DOWN**.

For calling up the menu USER press the key **MENU** once again. The menu USER appears. Select the function (e.g. SELECTION) by pressing the key **SELECT** repeatedly as necessary. The setting within the function can be modified with the keys **UP** and **DOWN**.

USER		SETTINGS
LANGUE	ENG	ENGLISH/GERMAN (ENG/DEUT)
SCREEN	WIDE	NOR 4:3, picture format 4:3 WIDE, picture format 16:9 FULL, picture format 16:9 middle enlarge
TITLE	ON	TITLE: CAMERA TITLE DISPLAY ON/OFF
TIME	ON	TIME: TIME DISPLAY ON/OFF

For calling up the menu TIME press the key **MENU** once again. The menu TIME appears. Select the function (e.g. DATE) by pressing the key **SELECT** repeatedly as necessary. The setting within the function can be modified with the keys **UP** and **DOWN**.

TIME		OPERATION
TIME	08:25	Hour-Month adjustable by UP BUTTON
DATE	MAY01	Minute/Date adjustable by DOWN BUTTON
YEAR	2005	Year adjustable by UP/DOWN BUTTON

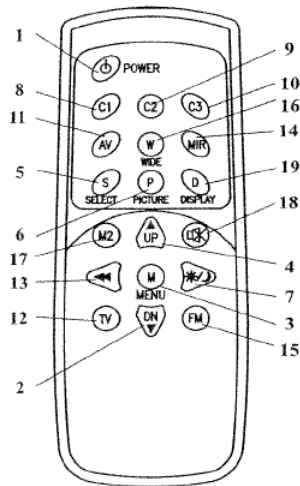
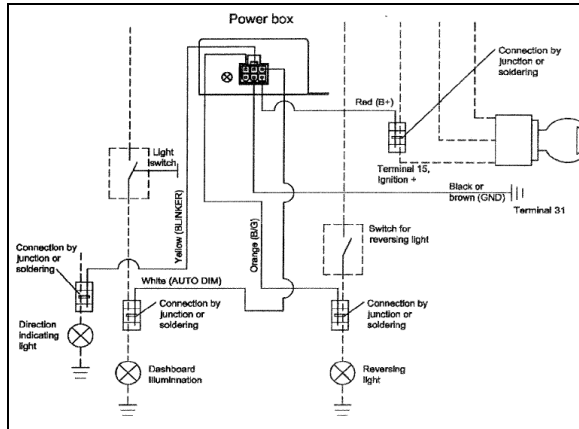
For calling up the menu INSTALL press the key **MENU** once again. The menu TIME appears. Select the function (e.g. SELECTION) by pressing the key **SELECT** repeatedly as necessary. The setting within the function can be modified with the keys **UP** and **DOWN**.

INSTALL	POSSIBLE SETTINGS:
REAR CAM1	Selection of priority camera (CAM1 or CAM2) which is triggered by rear gear.
CAM1 MIR	Selection of real picture or mirrored picture for camera 1.
CAM2 NOR	Selection of real picture or mirrored picture for camera 2.
NOTE 1 The distance mark will appear on the picture of camera which set as MIR (mirrored).	
NOTE 2 Engaging the reverse gear, only distance mark will appear on the mirrored camera picture without any OSD. At the moment, no keys are available except UP/DOWN key for moving distance bar.	

**BACK-UP CAMERA MODULE (Power box)**

The connection line consists of 6 branch lines as below:

RED	Voltage supply 12-volt to 24-volt (max. 32-volt)
BLACK/BROWN	Earth cable
WHITE	Control wire for switching on the dimmer function (night operation)
YELLOW	Control wire for switching on the side camera. The connection is to be made at the INDICATOR
ORANGE	Control wire for switching on the reversing camera. The connection is to be made at the reversing light



No	Key	Description
1	STANDBY	On/Off switch
2	DOWN ▼	This key has 3 functions. – Decrease of the volume during normal operation. – Modification of the setting within a function e. g. brightness (after calling up the menu). – By pressing this key when putting in the reverse gear the distance markings move downwards.
3	MENU	Calling up the menu on the screen. Three menus can be called up : a: PICTURE = Functions for the image setting b: USER = Selection of the system function c: TIME = Setting time and date d: INSTALL = Setting the camera function (e.g. mirror function)
4	UP ▲	This key has 3 functions. – Increase the volume during normal operation – Modification of the settings within a function e. g. contrast (after calling up the menu) – By pressing this key when putting in the reverse gear the distance markings move upwards.
5	SELECT	This key has 2 functions Selection of the video sources (CA1→CA2→AV) Selection of the functions e.g. picture setting (after calling up the menu)
6	PICTURER	Calls up the functions CONTRAST, BRIGHTNESS etc. directly for the picture setting. Carry out the setting with the key UP or DOWN.
7	DIMMER	Regulates the brightness to night operation temporarily
8	C1	Selection of the camera 1
9	C2	Selection of the camera 2
10	C3	Selection of the camera 3 (camera input 3 is not available))
11	AV	Selection of the video input (RCA)
12	TV	Not available
13	SEARCH	Not available
14	MIRROR	Reversing left and right of picture temporarily
15	FM	Not available
16	WIDE	Setting of the screen format NOR/NOR: 4:3, picture format 4:3 WIDE/WEIT, picture format 16:9 FULL/BREIT, picture format 16:9 middle enlarged
17	MONITOR2	Not available
18	MUTE	Switches off the tone temporarily
19	DISPLAY	This key has 2 functions – Deleting or calling OSD letters of Tile & Time temporarily – Leaving the menu

## 4. HUB ODOMETER

### 4.1 DESCRIPTION

An optional wheel hub odometer (Figure 18) may have been installed on the R.H. side of the drive axle. It indicates the total distance in miles or kilometers covered by the coach since it has left the factory, including road testing.

#### 4.1.1 REMOVAL

To remove the unit, remove the two lock nuts and washers securing it to the wheel hub, and pull the unit off the studs.



#### 4.1.2 INSTALLATION

Place the hub odometer unit over the wheel hub studs. Replace the lock washers and nuts. Torque stud nuts.

**TORQUE:** 110-165 lb-ft (149-224 Nm)

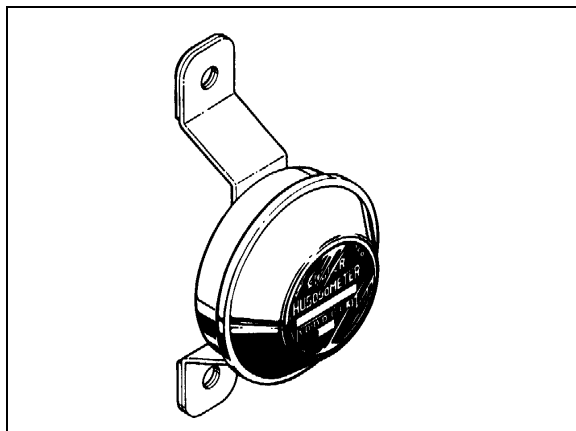


FIGURE 18: HUBODOMETER

23027

#### 4.2 OPERATION

The hub odometer is calibrated for a specific wheel size (diameter). Wheel rotation causes a mechanism inside the hub odometer to record distance after a predetermined number of rotations. The unit should be serviced at a competent speedometer repair facility.

##### **NOTE**

*Do not use paint, solvent or thinner on hub odometer face or on plastic hubcaps. Do not weld on hub odometer.*

### 5. ELECTRONIC DESTINATION SIGN (OPTIONAL)

#### 5.1.1 DESCRIPTION

The destination sign is located at upper front of the vehicle.

To change the destination, depress the selecting switches until the desired destination appears in the LCD display.

##### **NOTE**

##### **NOTE**

*LCD display may be located at the back of the destination sign (series 600) or on the vehicle modesty panel (430 series). Refer to the corresponding supplier's [operating manual](#) for more information regarding operation and maintenance of the destination sign.*

##### **NOTE**

*A data file must be loaded into the destination sign control unit before operating the system on the road. Insert the supplied USB key in the display USB port to automatically start the process.*



FIGURE 19: DESTINATION SIGN LCD DISPLAY (SERIES 600 SHOWN)

23123-1

### 6. WINDSHIELD SUNSHADES

Two electrically operated sunshades are installed in the driver's area at the top of the windshields.

Control buttons are located on the steering wheel and the dashboard to operate sunshades individually. Refer to Operator's Manual: "Controls and Instruments" chapter for more information.

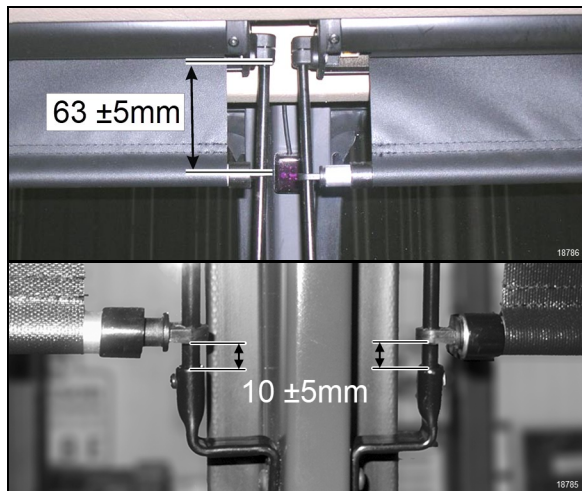


#### **CAUTION**

*Pulling down manually on the sunshade may damage the mechanism.*

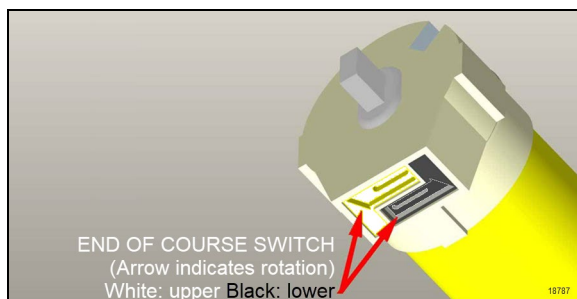
#### 6.1 END OF STROKE ADJUSTMENT

The sunshades end positions are factory pre-adjusted. If an adjustment is required, proceed as follows:



**FIGURE 20: FACTORY ADJUSTMENT OF UPPER AND LOWER END POSITION**

1. Place the ignition key to the ON position.
2. Move sunshade to within 10mm of the upper or lower end position.
3. On the sunshade roller end, there are two end of course setting buttons.
4. *White* button is for setting the *upper* end of course, *black* button is for *lower* end of course.



**FIGURE 21: END OF COURSE SETTING SWITCHES**

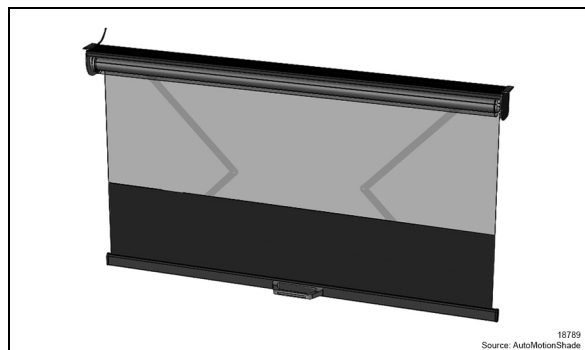
5. Insert a small screwdriver and depress the corresponding button. Release when you hear a click.
6. Use the sunshade dash button to adjust to the desired position by small pulses. The dash buttons provide a finer control than the steering wheel button.



**FIGURE 22: DASH SUNSHADE CONTROL BUTTONS**

7. When satisfied with the position, depress the end of course button on the sunshade. With a screwdriver. Release when you hear a click (Figure 21)
8. Press twice on the control button to move the sunshade to the other end of stroke sunshade.
9. Proceed to fine adjustment of the other position by repeating steps above.

## 6.2 END OF STROKE ADJUSTMENT ON MOTORIZED SUNSHADES WITH CANTILEVER ARMS



**FIGURE 23: MOTORIZED SCISSOR TYPE SUNSHADE**

Refer to AutoMotionShade [quick reference guide](#) provided on Prevost Technical Publications web site to adjust the motor limits.

## 7. PASSENGER SUNSHADES

Manually operated passenger sunshades are factory installed on some vehicles. The sunshades are pulled down and can be locked in the window side moldings at half or full close position.

To release, simply disengage the sunshade from the moldings and release. Spring tension will pull back the sunshade to the full open position.

Correct spring tension is set at the factory and should not need further adjustment.

However, if for any reason a sunshade has to be removed from the vehicle, preloading of the recoil mechanism will be required before re-installation to ensure that the sunshade returns to the full open position when released.



## CAUTION

*A special tool is required to remove the sunshade from the window support. Failure to use the special tool will result in permanent damage to the sunshade and/or window support.*

*The special tool can be ordered from your Prevost part center under part # 685594*

### 7.1 PRELOAD ADJUSTMENT

Using the chart below, preload the sunshade mechanism before installing the sunshade in the window support.

#### NOTE

*When installed, lower the sunshade 6po (15cm) and release. The sunshade should retract freely to the full open position. Re-adjust preload as needed.*

Sunshade Type	Req. Preload
Std Sunshade	10 turns
Rear Sunshade	10 turns
Small Rear Sunshade	8 turns
Large WCL Sunshade	12 turns
Small Trapezoidal Sunshade	8 turns

## 8. LAVATORY

### 8.1 DESCRIPTION

The lavatory is located in the rear R.H. corner of the coach. It is equipped with a chemical flush

toilet, bathroom tissue dispenser, washbasin, towel dispenser, waste container, mirror and a cleaning cabinet. A liquid soap dispenser and moist towel dispenser are optional.

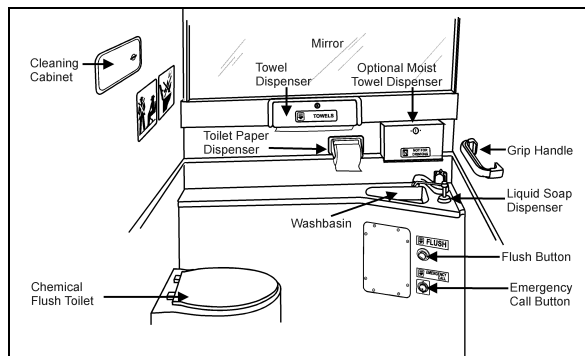


FIGURE 24: LAVATORY

Locking the lavatory door from the inside will illuminate a fluorescent light in the lavatory and two outside signs to indicate occupation. One sign is located on the outer wall of the lavatory and another sign is located over the windshield. An indicator light on the dashboard will illuminate to inform the driver when the lavatory is occupied. A night-light is permanently lit in the lavatory when the ignition switch is in the ON position.

### 8.2 MAINTENANCE

The servicing procedure for the lavatory is described in the "Operator's Manual" included in the technical publications box delivered with the vehicle.

### 8.3 VENTILATION FAN

The lavatory ventilation fan, mounted in engine compartment over the oil reserve tank (Figure 25), serves two purposes. It exhausts objectionable odors and provides a constant air circulation in the lavatory compartment by heating or cooling the lavatory with the vehicle ambient air. Air flows in the lavatory compartment through a vent grill located in the upper section of the lavatory door and exhausts through a grill located next to the toilet.

**NOTE**

*This fan runs constantly when the ignition switch located on the dashboard is in the "ON" position.*

## 8.3.1 Maintenance

The frequency of preventive maintenance should be determined according to vehicle mileage and operating conditions. However, it is recommended to check this item every 50,000 miles (80 000 km) or once a year, whichever comes first.

Remove fan and motor assembly. Check for fan housing wheel and motor free operation. When defective motor occurs, new motor must be installed.

## 8.3.2 Removal and Installation

1. With the engine compartment rear door opened, remove hose clamp securing duct to ventilation fan inlet, and disconnect duct.
2. Disconnect the ventilation motor wiring connector.
3. Remove the two bolts retaining the ventilation fan housing support to the square tubing. Remove the ventilation fan assembly from its location.
4. The unit can now be disassembled and motor replaced.
5. Reverse previous steps to reinstall ventilation fan assembly on vehicle.

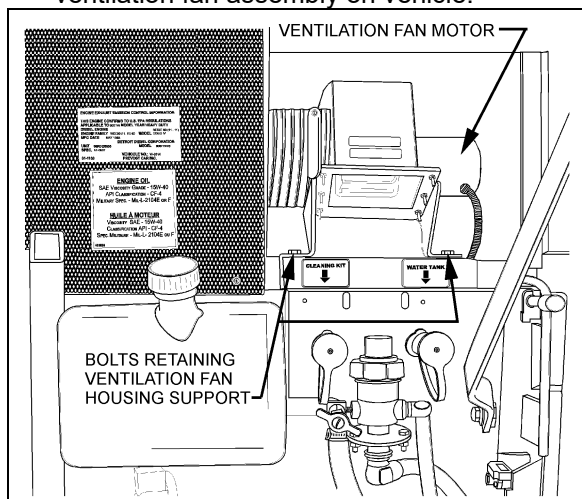


FIGURE 25: VENTILATION FAN INSTALLATION

## 8.4 DOOR LOCK

Lavatory door lock has inside and outside handles, as well as an inside latch to lock door from inside the compartment. If the lock fails to release, the door can be opened from the outside using a special key which is supplied to the driver. Lock assembly can be removed from the door, and then readily disassembled and parts replaced, if necessary. A thin coat of lubricant on all moving parts will ensure trouble-free operation.

## 8.5 LAVATORY LIGHT WITH MOTION SENSOR

The lavatory light, when dimmed, serves as a night-light and is illuminated as soon as the ignition switch is set to the "ON" position. A motion sensor will activate full light intensity whenever motion is detected in the lavatory compartment. The motion sensor will dim the light after a delay of 8 seconds when no additional motion is detected.

**NOTE**

*The lavatory light motion sensor has a warm-up period of approximately 2 minutes after the ignition switch is set to the "ON". During that warm-up period, the motion sensor will not detect motion and will not activate the lavatory light to full intensity.*

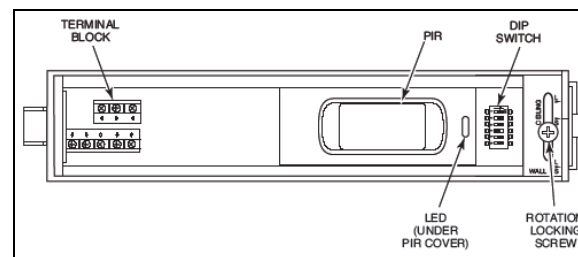


FIGURE 26: LAVATORY LIGHT MOTION SENSOR

## 8.5.1 Removal and Installation

1. Open the sensor housing by pressing on the latch with a screwdriver. The latch is located on the side of the sensor nearest the lens. Pull the cover up away from the sensor's base.

2. Loosen rotation locking screw two (2) turns (do not remove). Then, remove PCB assembly from the back plate of the sensor.
3. Insert the wiring into one of the wire channels on the sensor's back plate.
4. Securely affix the sensor's back plate to the wall using #6X3/4" screws.
5. Reinstall the PCB assembly and then, tighten rotation locking screw.

#### 8.5.2 Dip Switch Settings

Adjust DIP switches as follows:

1=off    2=off    3=off  
4=on    5=off    6=off

### 8.6 EMERGENCY BUZZER

The lavatory emergency buzzer is mounted on the alarm junction box in the front service compartment and sounds when the emergency call push-button switch in the lavatory compartment is activated. For specific wiring information, refer to wiring diagrams. To remove the emergency call push-button switch, proceed as follows:

1. Remove both Phillips-head screws retaining pushbutton switch plate to wall.
2. Remove steel plate located on L.H. side of pushbutton switch.
3. Remove switch through this opening, taking care to disconnect electric wires.

### 8.7 FRESH WATER TANK

The fresh water tank located at rear of lavatory wall (over cleaning cabinet), supplies water to the washbasin by gravity. Two tubes are connected in the upper section of tank (Figure 29). One serves as overflow as well as vent tube and runs along the wall to the underside of the lavatory close to the engine air filter housing, while the other tube is connected to the fresh water fill valve which is mounted besides the engine oil reserve tank.

A third tube connected in the lower section of fresh water tank is provided with a T-connector and allows fresh water to flow to the washbasin faucet and to the low temperature water safety valve for automatic or manual draining. An

access panel, located at rear of last R.H. side row of seats and secured in place using 6 Phillips-head screws, allow access to the cleaning cabinet and fresh water tank tubing, fresh water tank heater and different wiring connectors.

#### 8.7.1 Fresh Water Tank Heater (Optional)

75 watts, 110 volts AC immersion-type water heater may have been installed in the bottom of the fresh water tank. The heated portion of element must be immersed at all times to ensure proper heater life. The 110-120 volts in-station connector mounted on the engine compartment rear door provides the water heater power source.

#### 8.7.2 Fresh Water Tank Draining

The fresh water tank can be drained by simply opening the fresh water drain cock (Figure 29). Don't forget to close cock when draining is done.



#### CAUTION

*If fresh water tank heater is inoperative or not installed on your vehicle, water should be drained from reservoir under cold weather conditions since it might freeze and damage both reservoir and connecting links.*

#### 8.7.3 Fresh Water Tank Filling

Plug the fresh water supply hose to the fresh water tank fill connection (Figure 29); fill the tank until the overflow tube leaks, signaling that tank is full.



#### WARNING

*Never put antifreeze in fresh water tank; antifreeze is toxic.*



#### WARNING

*If tank has not been drained for an extended period of time, draining and filling operations must be repeated three (3) times in order to clean tank and eliminate contaminated water.*

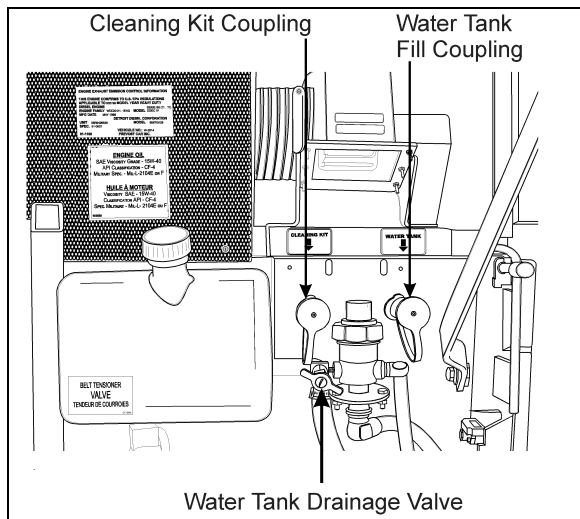


FIGURE 27: FRESH WATER TANK SERVICE VALVES

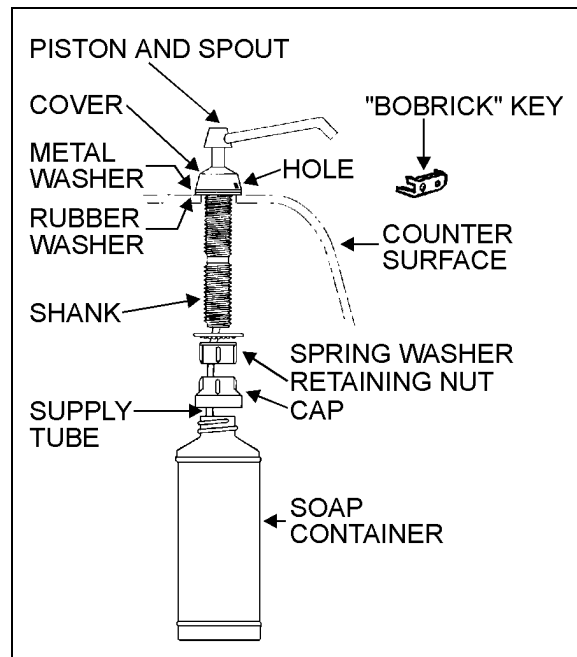


FIGURE 28: LIQUID SOAP DISPENSER 23039

### 8.8 LIQUID SOAP DISPENSER

A liquid soap dispenser may have been installed as optional equipment. To refill dispenser, proceed as follows:

1. Turn cover slightly clockwise until it stops.
2. Insert projection at end of "BOBRICK" key into rectangular hole in cover (Figure 28). Push straight in. While holding "BOBRICK" key in, turn cover counterclockwise about 1/8 turn.

	<h2>CAUTION</h2>
<p>Do not use "BOBRICK" key to turn cover.</p>	

3. Lift out piston and spout, cover and supply tube.
4. Fill dispenser with soap. This model can dispense vegetable oil soaps, synthetic detergents, and lotion soaps.



## CAUTION

Never use abrasive cleaners.

5. Replace supply tube, piston, and spout mechanism reversing the steps above.
6. Secure the cover by turning clockwise until lock snaps into position.

## NOTE

The dispenser requires priming when extremely viscous lotion soaps are used. Remove piston and spout, cover and supply tube assembly. Pump water into assembly, then replace into dispenser.



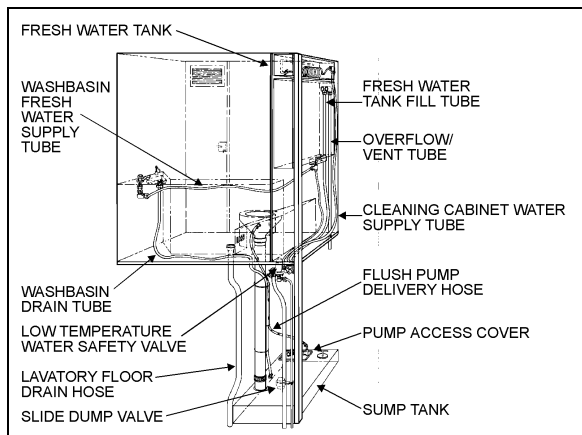


FIGURE 29: FUNCTIONING OF LAVATORY 23038

## 8.9 FLUSH PUSH-BUTTON

The green flush push-button is located near the toilet. Press on push-button to actuate a pneumatic timer located on the other side of wall. This timer allows an electric current flow during a preset time to a pump into the sump tank.

### 8.9.1 Pneumatic Timer Removal and Installation

1. Unscrew and remove the flush push-button locking ring.
2. Remove steel plate located on L.H. side of pushbutton switch.
3. Remove pneumatic timer through this opening, taking care to disconnect electric wires.

#### **NOTE**

*Care must be taken to avoid losing the spacers installed on the mounting sleeve.*

4. Reverse the above procedure to reinstall timer. Tighten lock nut:

### 8.9.2 Timer Adjustment

Timer can be adjusted from 0.2 second to 3 minutes by turning the time adjustment screw clockwise to increase time, and counterclockwise

to decrease time. To gain access to the time adjustment screw, repeat steps 1, 2 and 3 in the previous paragraph.

## 8.10 FLUSH PUMP

The submersible-type flush pump is mounted inside an enclosure in the sump tank (Figure 30). The enclosure is provided with a screened side which, serves as a strainer to prevent solid matters from entering the pump.

The pump requires no periodic maintenance other than cleaning of the strainer side using a water jet introduced through the circular cap opening, once the sump tank is completely drained. The pump can run dry periodically without damage. However, for maximum seal life, the run dry periods should be kept to a minimum.



### **CAUTION**

*If vehicle is stored for an extended period of time, make sure to clean the strainer as solid matter will tend to pack, and will necessitate replacement of strainer.*

### 8.10.1 Flush Pump Pressure Adjustment

The flush pump is provided with a manually-adjustable control valve mounted on the flush pump enclosure cover and serves to limit the flush pump output pressure. To adjust, ask an assistant to activate the flush pushbutton and check the liquid projection while you manually adjust the control valve

## 8.11 SUMP TANK

### 8.11.1 Sump Tank Draining

To drain sump tank, unscrew cap a few turns then turn drain valve handle CCW. Flush tank and pump cage with clean water. Close drain valve by turning handle CW.



### **CAUTION**

*The lavatory should be serviced by maintenance personnel after emergency draining. Lavatory tanks should be serviced only at suitably equipped stations.*

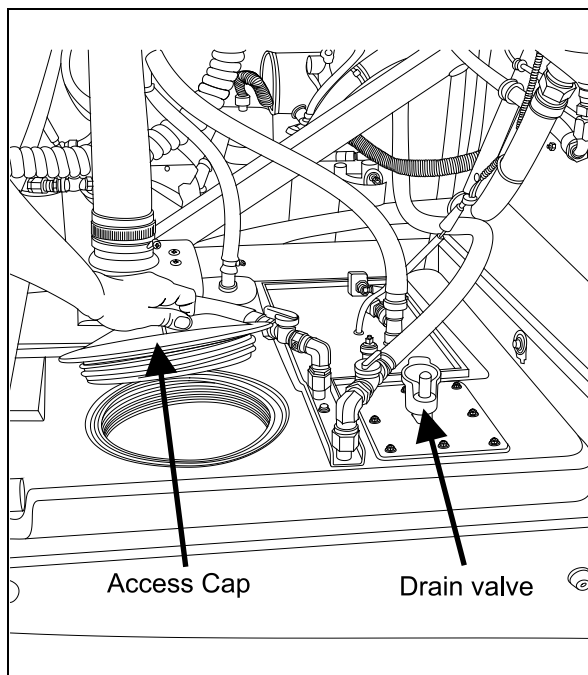


FIGURE 30: SUMP TANK

23294

### 8.11.2 Sump Tank Filling

Remove cap on sump tank. Fill Tank with 2 gallons (9 liters) of antifreeze and two gallons of water.



## CAUTION

*Do not overfill sump tank.*

## NOTE

*The antifreeze solution in the sump tank will be diluted by fresh water coming from the lavatory sink. Regular maintenance of the sump tank is required to prevent freezing.*

### 8.12 CLEANING CABINET

A coiled hose located in the cleaning cabinet above the toilet can be used during lavatory cleaning. To use, connect a fresh water supply to the "Hansen" quick-release coupling, identified

as "Cleaning Kit", located beside the engine oil reserve tank (Figure 27). To prevent freezing during cold weather, drain the hose after every use. To drain the hose, uncoil and open the nozzle near the lavatory floor drain. Have an assistant push on the spring ball of the quick-release coupling to allow air into the system.

## 9. AIR HORN VALVE

The air horn valve is located in the front service compartment and the air horn valve button is on the steering wheel center.

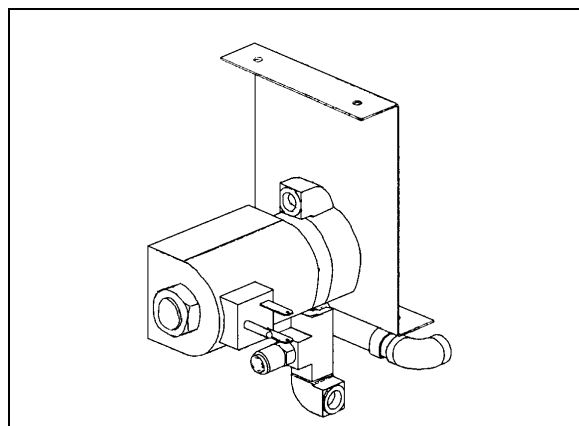


FIGURE 31: AIR HORN VALVE

23230

### 9.1 AIR HORN VALVE MAINTENANCE

When needed, the air horn valve can be serviced or replaced using the following procedure:

1. Unplug the cable connector;
2. Disconnect the air tubes;
3. Loosen the retaining bolts;
5. Service or replace the air horn valve;
6. Reinstall by reversing procedure.



## 10. WINDSHIELD WIPERS

Refer to Maintenance Information MI23-12 WIPER DRIVE MOTOR, LINKAGE AND PIVOT REPLACEMENT annexed after section 23B.

## 11. AUTOMATIC FIRE SUPPRESSION SYSTEM (AFSS) (OPTIONAL)

This optional system is used to shut down the engine and to extinguish a fire in the engine compartment or in the vicinity of the preheating system if so equipped.

The system operation is fully automatic and does not require assistance from the operator, however if required, the system can be manually activated by the operator at any time.

Refer to Prevost Operator's Manual or Owner's Manual for system operation and operational sequence (fire).

If more information is needed on the system, please refer to Kidde Dual Spectrum "Operation & Maintenance Manual", found on your Technical Publications USB flash drive.



### CAUTION

*The AFSS extinguisher will not function as intended if oriented incorrectly. Refer to labels on the extinguisher bottle or the "Operation & Maintenance Manual".*

### 11.1 STARTING THE VEHICLE AFTER TRIGGERING OF A FIRE ALARM

The vehicle may be started after a fire alarm without resetting the system. Refer to ignition switch sequence below. This will not reset the system, rather it will instruct the vehicle's multiplex system to ignore vehicle interface outputs from the protection panel. This feature is intended to be used only in emergency situations that require the vehicle to be restarted and moved a short distance prior to system reset. It should not be performed if the cause of the fire has not been clearly identified and corrected.

To start the vehicle, perform this ignition switch (key) sequence:

1. From the **ON** position;
2. Turn to **OFF**, return to **ON** and **START** vehicle within 2 seconds.

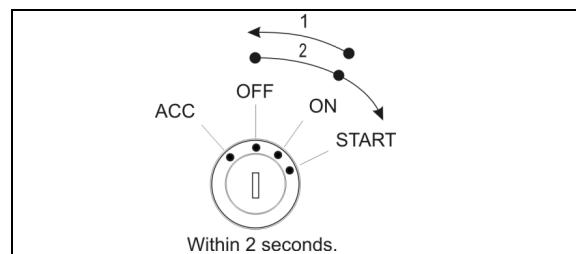


FIGURE 32: IGNITION SWITCH SEQUENCE

### 11.2 PERIODIC MAINTENANCE

#### PRE-TRIP

- Verify that the Protection Panel "SYSTEM OK" lamp is on solid green.

#### EVERY 3000 MILES OR MONTHLY (whichever comes first)

##### General

- Verify that neither the protected equipment nor the hazard has changed.
- Verify that no obvious physical damage or condition exists that might prevent system operation.

##### Protection Panel

- Verify that all warning lamps and the audible alarm are operational by pressing the "TEST/RESET" button.

##### Manual Activation Switch

- Verify that the tamper seal is intact and access to the switch is unobstructed.

##### Fire Detectors

- Optical
  - Verify that the status lamp on the detector face is on solid green.
  - Verify that nothing is blocking the detector's field of view.
  - Verify that the windows on the face of the detector are free of excess contamination (dirt, oil, grease, etc.) – if neces-

sary, clean using a water soaked non-abrasive towel.

- Linear Thermal
  - Verify that there is no obvious physical damage and that the unit is free of excess contamination (dirt, oil, grease, etc.) – if necessary, clean using a water soaked non-abrasive towel.
  - Verify that mounting is secure and taught.

Electrical Harness

- Verify that electrical connectors and electrical wiring have no visible damage and all connectors are securely seated.

Extinguisher & Distribution System

- Verify that the extinguisher pressure gauge pointer is in the green arc at room temperature.
- Verify that distribution piping and nozzles are intact and unobstructed and that nozzle blow-off caps are in place.

**EVERY 18000 MILES OR SEMI-ANNUALLY**  
(whichever comes first)

- Perform a comprehensive fire system test using a Kidde Dual Spectrum System Test Set (Optical Test Kit P/N 420871-2).
- Service the extinguisher in accordance with KDS Document 160296, “KDS Pre-Engineered Fire Suppression System: Installation, Operation and Maintenance Manual”.



**MAINTENANCE**

**EVERY SIX YEARS**

Have the fire extinguisher rebuilt by a qualified fire protection equipment company familiar with Kidde Dual Spectrum equipment and in accordance with KDS Document 160296, “KDS Pre-Engineered Fire Suppression System: Installation, Operation and Maintenance Manual”. Rebuilt shall include actuator, O-ring seals and dry chemical replacement.



**MAINTENANCE**

**EVERY TWELVE YEARS**

Have the Extinguisher cylinder hydrostatically tested by a qualified fire protection equipment company familiar with Kidde Dual Spectrum equipment and in accordance with KDS Document 160296, “KDS Pre-Engineered Fire Suppression System: Installation, Operation and Maintenance Manual”.

**12. TIRE PRESSURE MONITORING SYSTEM (TPMS)**

The optional active tire pressure and temperature monitoring system is a sensing device designed to identify and display tire operating data and activate an alert or warning when pressure or temperature irregularities are detected.

For more information on the operation and troubleshooting of the system, refer to the Operator’s Manual, chapters “Controls and Instruments” and “Safety Features and Equipment”.

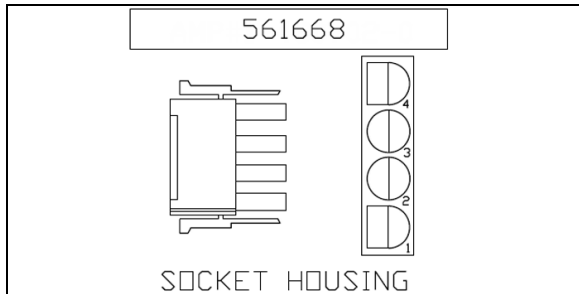
**13. ELECTRIC BRAKE CONTROL SYSTEM FOR TRAILER**

This optional feature is used to control the braking system of a trailer equipped with electric brakes. This system includes connector A40, a RV type trailer connector already installed on the trailer hitch, the VECT (Vehicle Electric Center Trailer) and the necessary harnesses.

On the vehicles equipped with this feature, the VECR fuses F117 & F119 are replaced by CB117 (20 Amp) & CB119 (30 Amp).

13.1 A40 CONNECTOR

A40 connector is located in the front electrical and service compartment (aka front junction box). This connector is used to connect a brake controller.



**FIGURE 33: A40 CONNECTOR**

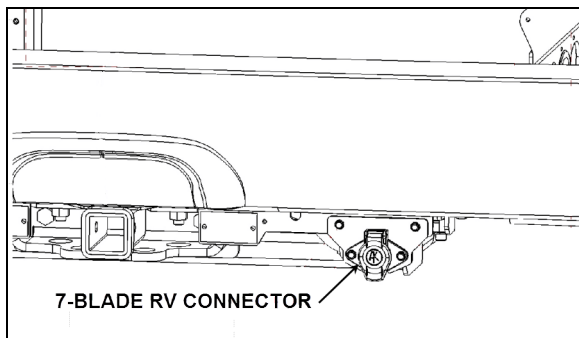
Four circuits:

- 1) black 12V power (from ignition)
- 2) white ground
- 3) red input: 12V brake application signal from VECT (coach brake lights)
- 4) blue output: brake application signal to the trailer

### 13.2 7-BLADE RV/TRAILER CONNECTOR

Seven circuits:

- 1) white ground
- 2) blue output: brake application signal to the trailer
- 3) brown taillights
- 4) black 12V supply for trailer accessories
- 5) yellow left turn signal
- 6) green right turn signal
- 7) purple backup lights



**FIGURE 34: 7-BLADE TRAILER/RV CONNECTOR ON TRAILER HITCH**

13.3 VECT

The VECT includes the following components:

Relays 51, 52, 53, 54 and 55

CB301, 20 Amp

Fuses (20A) 302, 303 and 304

Spare fuses: SP1-SP4

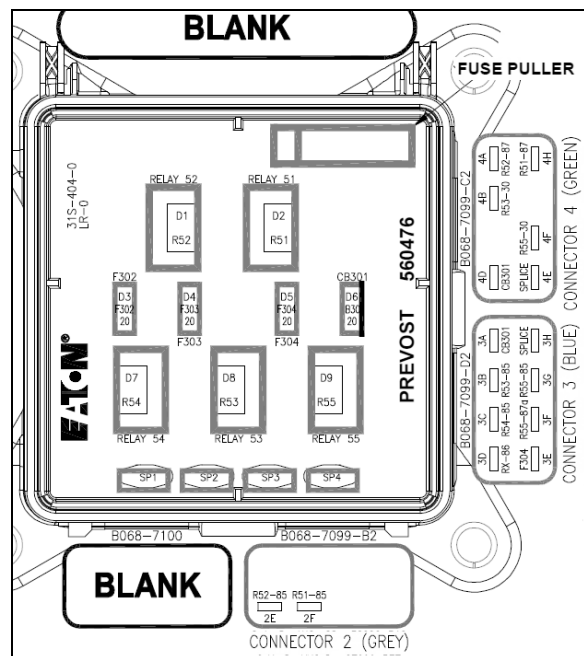


FIGURE 35: VECT

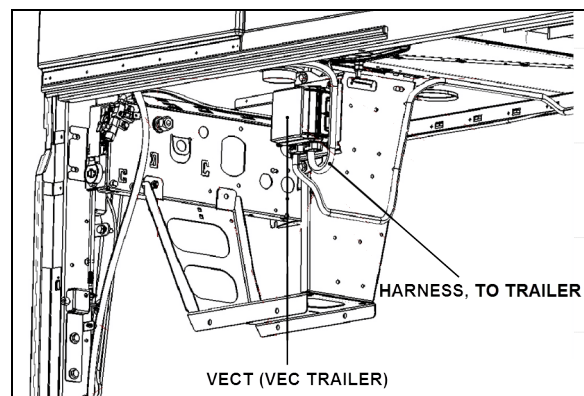


FIGURE 36: VECT (CURB SIDE) ON AIR FILTER BRACKET

14. WHEELCHAIR LIFT CASSETTE INSTALLATION



**WARNING**

For better stability, keep the platform at minimum height when moving.



**WARNING**

Never deploy the platform from enclosure while standing on the telescopic legs.



**WARNING**

Telescopic legs were designed to support and move the platform only, do not use as a work table.



**WARNING**

Before moving platform, make sure that floor is level and free of obstacles.

Install four lifting jacks on the wheelchair lift cassette.

**NOTE**

*There are two telescopic legs for each platform side. The proper side is indicated onto the telescopic leg.*

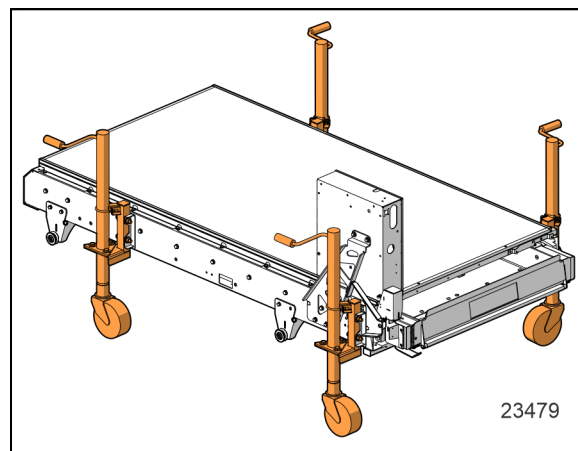


FIGURE 37: JACK INSTALLATION

Slide the cassette into the compartment to get the rear rollers backward the rail front stopper.

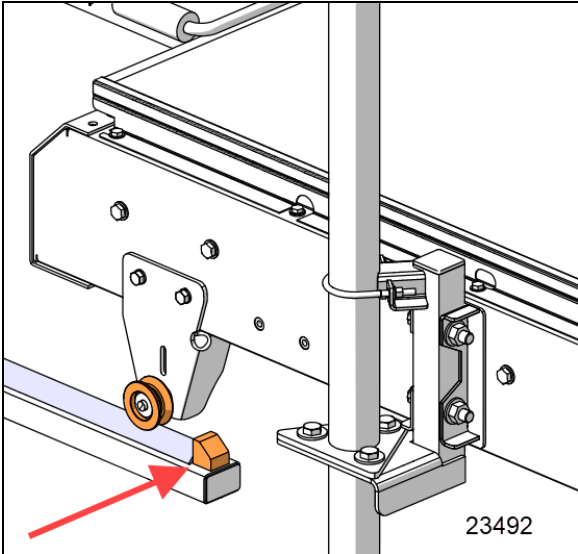


FIGURE 38: SLIDE CASSETTE OVER STOPPERS

Drop down the rear side of the cassette until it gets contact with the rail and make sure the back rollers are aligned with the V-rail.

Remove jacks (2) on the rear side.

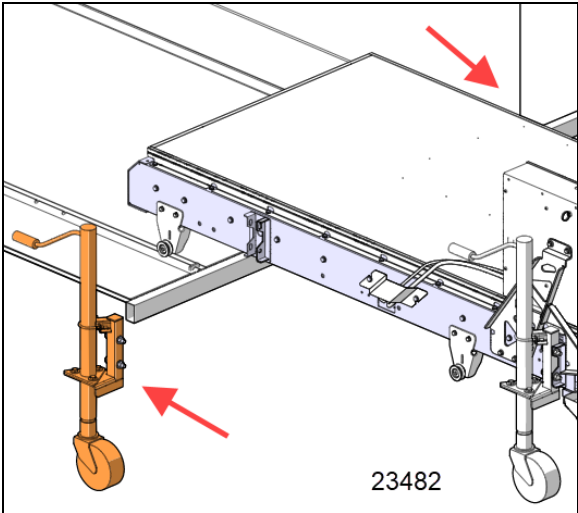


FIGURE 39: JACK REMOVAL ON REAR SIDE

Reinstall the fasteners on the dismantled jacks.

Keep sliding the cassette inside the compartment to get the front rollers backward of the stoppers.

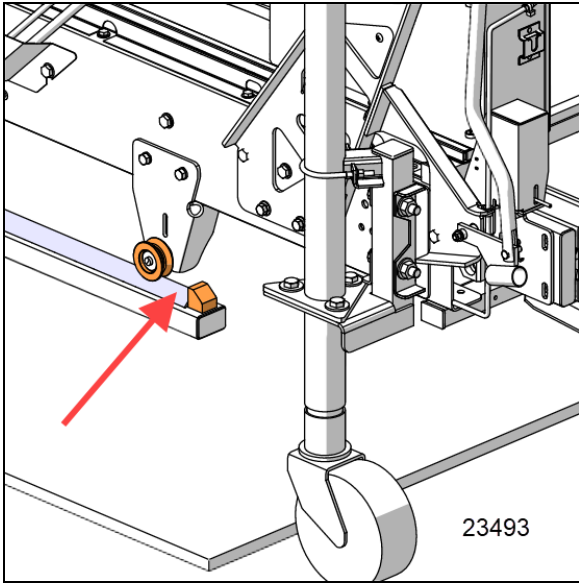


FIGURE 40: SLIDE THE CASSETTE INSIDE THE COMPARTMENT

Drop down the front side of the cassette until it gets contact with the rail and make sure the rollers are aligned with the V-rail.

Remove the jacks (2) on the front side of the cassette.

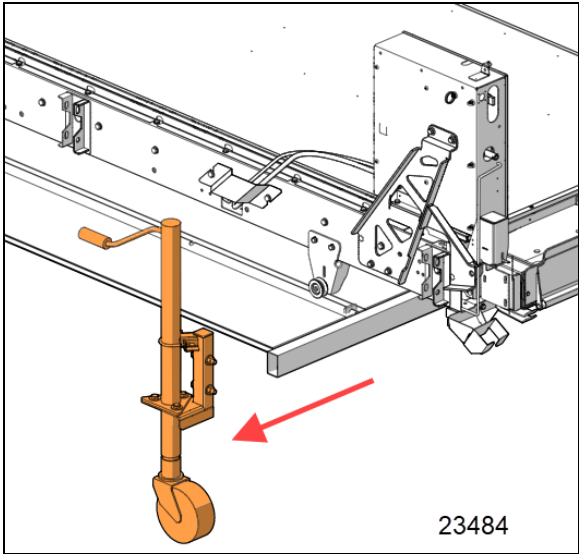


FIGURE 41: JACKS REMOVAL

Reinstall the fasteners on the dismantled jacks.

Install locks in four locations and tighten screws to a torque value of:  
**55-65 lb-ft (75-88 Nm)**

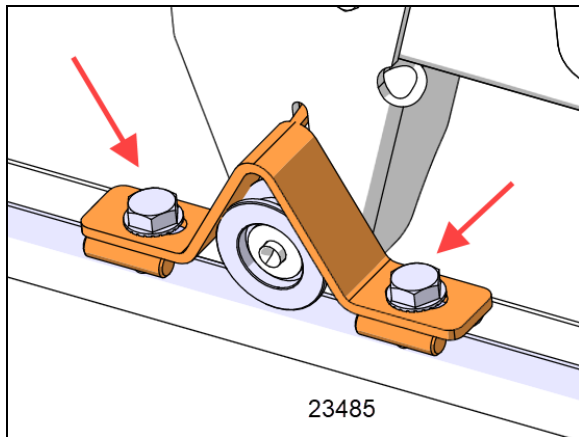


FIGURE 42: ANCHOR BOLTS INSTALLATION

Plug the electrical connectors and lock it with the connector cover.

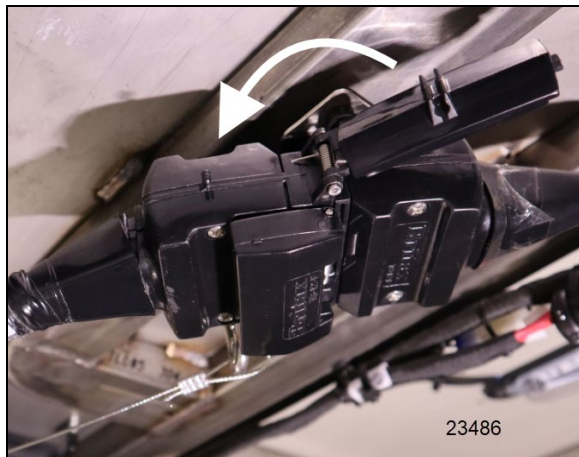


FIGURE 43: ELECTRICAL CONNECTION

Attach the protective wire.

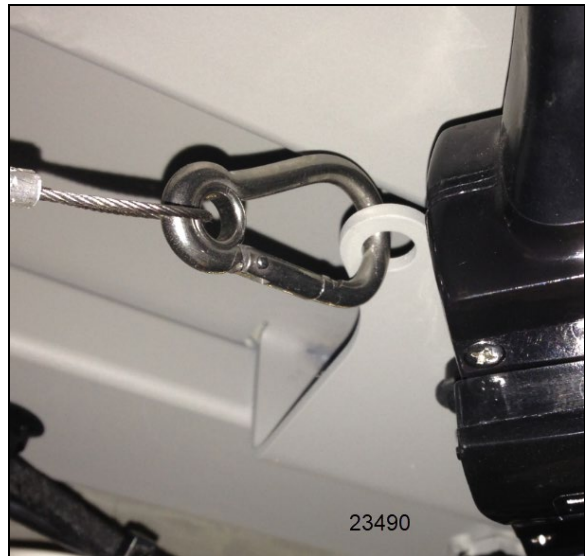


FIGURE 44: PROTECTIVE WIRE INSTALLATION

## 15. WHEELCHAIR LIFT CASSETTE DISMOUNTING

Detach the protective wire. Unlock the connectors. Unplug the electrical connectors.

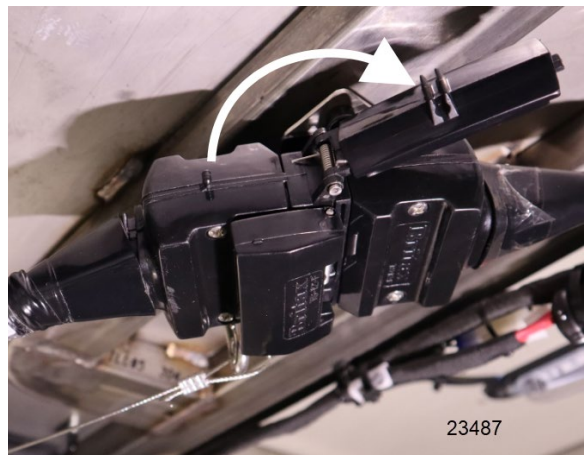


FIGURE 45: ELECTRICAL DISCONNECTION



Detach the protective wire.



FIGURE 46: PROTECTIVE WIRE INSTALLATION

Remove locks in four locations and keep it with the removed cassette.

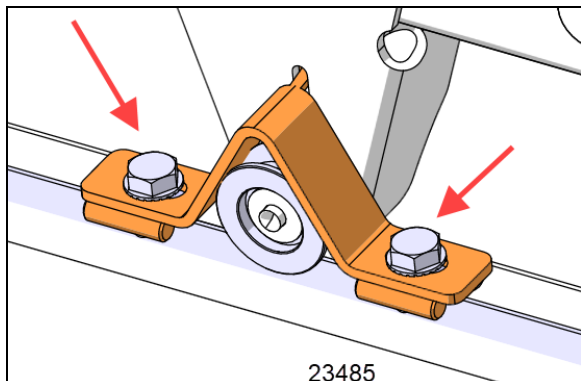


FIGURE 47: LOCKS REMOVAL

Slide out the cassette until the front rollers get the stoppers. Install jacks on the front side of the cassette. Lift up the front side of the cassette until the front rollers clear the front stoppers.

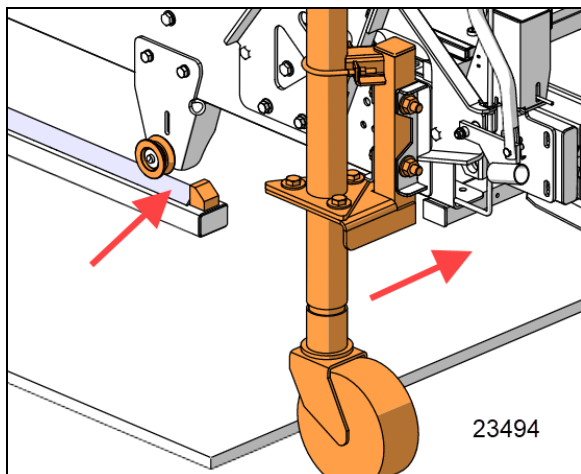


FIGURE 48: LIFT UP THE FRONT SIDE OF THE CASSETTE

Keep sliding out the cassette until the rear rollers get to stoppers. Install jacks on the rear side of the cassette. Lift up the rear side until the rear rollers clear the stoppers.

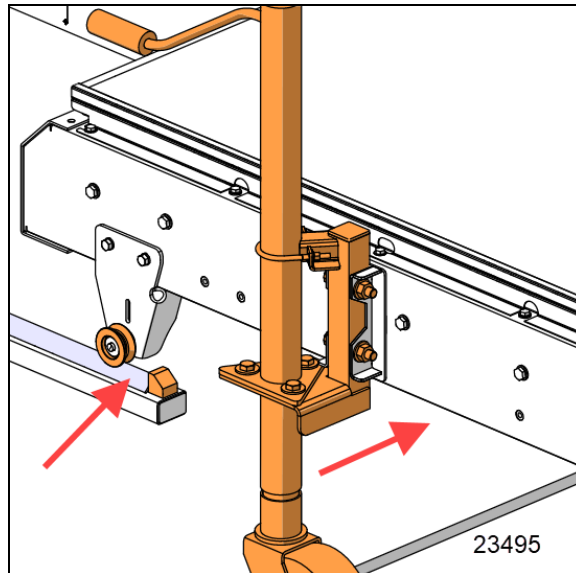


FIGURE 49: DROP THE REAR SIDE ON RAILS

Slide out completely the wheelchair lift cassette.

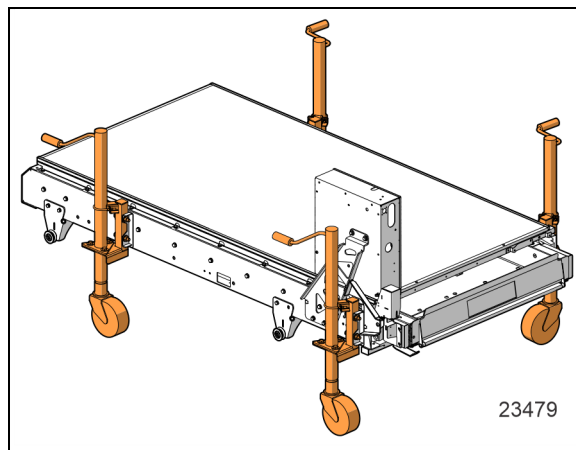


FIGURE 50: MOVE OUT THE CASSETTE







**MAINTENANCE  
INFORMATION**

**MI23-12B**


DATE :	April 2023	SECTION :	06 ELECTRICAL
SUBJECT :	<b>WIPER DRIVE MOTOR, LINKAGE AND PIVOT REPLACEMENT</b>		

Revision : B

Part 2 step 25, torque changed, was 22 lbs-ft becomes 29 lbs-ft

05-24-2023








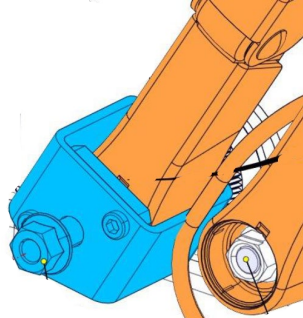
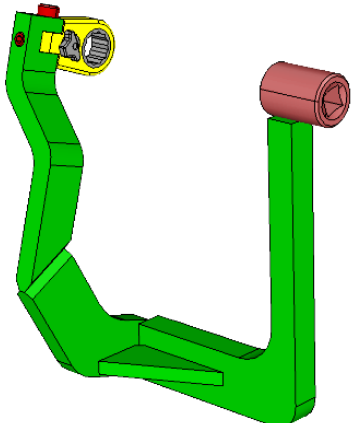
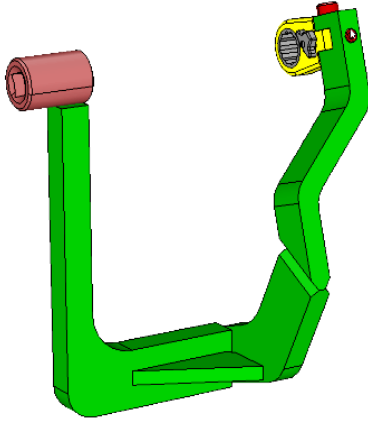
**APPLICATION**

Model	VIN	
H3-45 coaches Model Year: 2024, ...	From 2PCH3349X <u>RC721453</u>	
H3-45 VIP motorhomes Model Year: 2023, ...	From 2PCVS3499 <u>PC721348</u>	

## Table of contents

REQUIRED TOOLS .....	3
SAFETY MEASURES .....	4
PART 1 - DRIVE MOTOR REPLACEMENT .....	5
Drive Motor Bracket Removal .....	5
Linkage Disconnection from The Drive Motor Shaft .....	9
Drive Motor Removal and Replacement.....	9
Park Position Setting.....	11
Linkage Connection to The Drive Motor Shaft.....	12
Drive Motor Bracket Installation .....	13
PART 2 - WIPER PIVOT AND LINKAGE REPLACEMENT .....	15
Preparation .....	15
Wiper Arm and Pivot Hardware Removal.....	16
Wiper Pivot and Linkage Assembly Removal.....	19
Damaged Components Replacement .....	22
Pivot and Linkage Assembly Installation .....	22
Park Position Setting.....	23
Linkage Connection to The Drive Motor Shaft.....	23
Drive Motor Bracket Installation .....	23
Wiper Arm Installation.....	24
PARTS / WASTE DISPOSAL .....	26

# REQUIRED TOOLS

<p>RULER</p> 	<p>SMALL PRY BAR</p> 
<p>TORQUE WRENCH AND METRIC SOCKET SET</p> 	<p>RATCHET AND SOCKET SET – METRIC SET</p> 
<p>CAULKING GUN</p> 	<p>SMALL FLAT SCREWDRIVER</p> 
<p>MASKING TAPE</p> 	<p>WIPER ARM PULLER P/N G37807</p> 
<p>CURB SIDE MOTOR TORQUE TOOL P/N G37274</p> 	<p>STREET SIDE MOTOR TORQUE TOOL P/N G37605</p> 

## SAFETY MEASURES



**DANGER**

The wiper linkage can cut your fingers. Cut off the power supply before working on this system.

## SAFETY PRECAUTIONS

- Eye protection should always be worn when working in a shop.
- Rules for Personal Protection Equipment should always be respected. Wear your PPE including but not limited to the following:



**Safety  
First!**



## PART 1 - DRIVE MOTOR REPLACEMENT



### DANGER

Park vehicle safely, apply parking brake, stop engine. **Prior to working on the vehicle, set the ignition switch to the OFF position, set the battery master switch to the OFF position and trip the main circuit breakers equipped with a trip button.**

Lock out & Tag out (LOTO) must be performed during set-up, maintenance or repair activities. Refer to your local procedure for detailed information regarding the control of hazardous energy.



### DANGER

The wiper linkage can cut your fingers. Cut off the power supply before working on this system.

### Drive Motor Bracket Removal

1. Open the wiper mechanism access hatch.

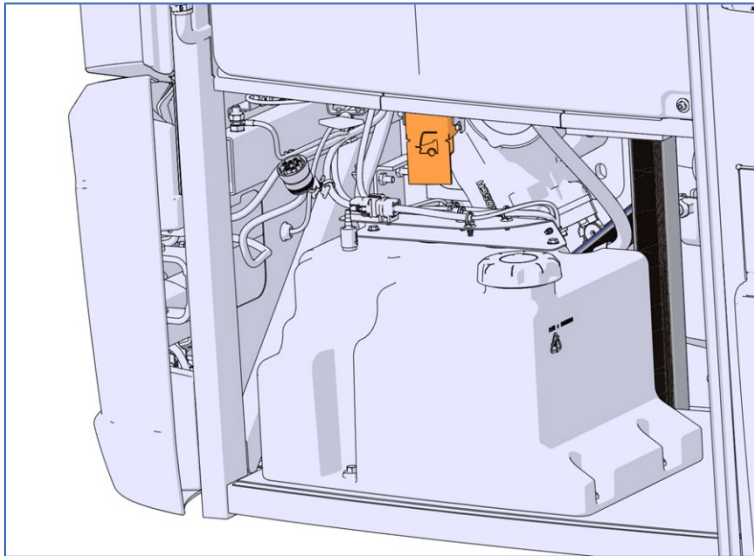


Figure 1

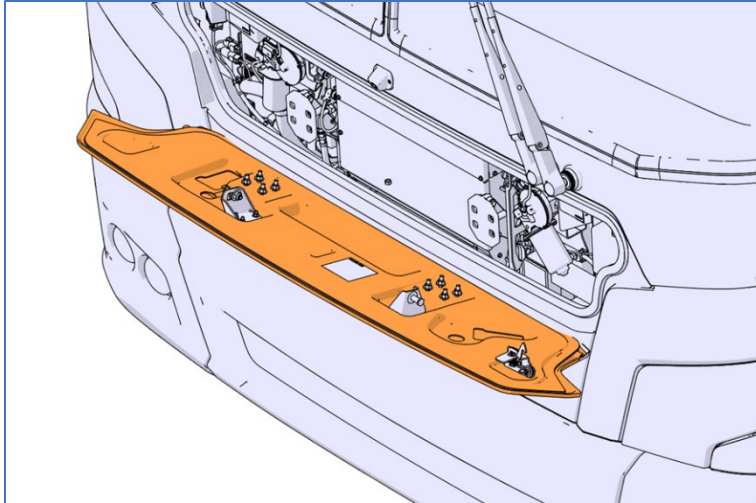


Figure 2

2. Cut the nylon tie securing the drive motor connector. Pry the yellow lock on the connector socket housing and then unplug the connector.

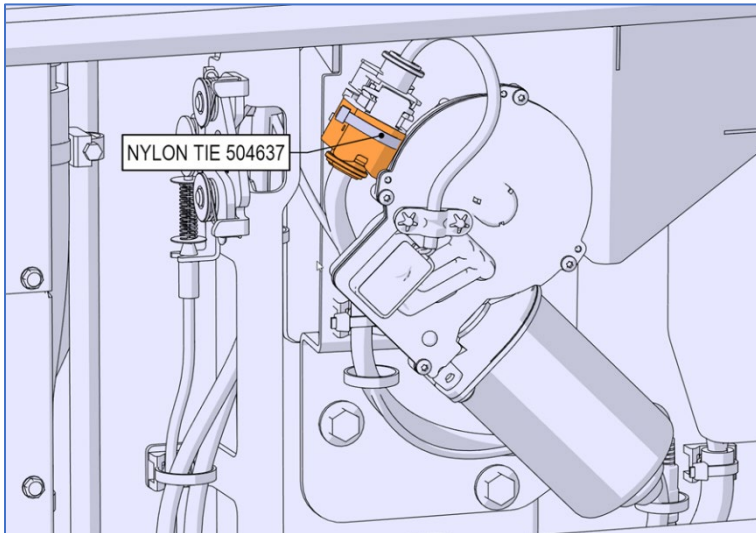


Figure 3: SREET SIDE DRIVE MOTOR SHOWN



Figure 4

3. Remove the four bolts that secure the drive motor bracket (use 13 mm socket).

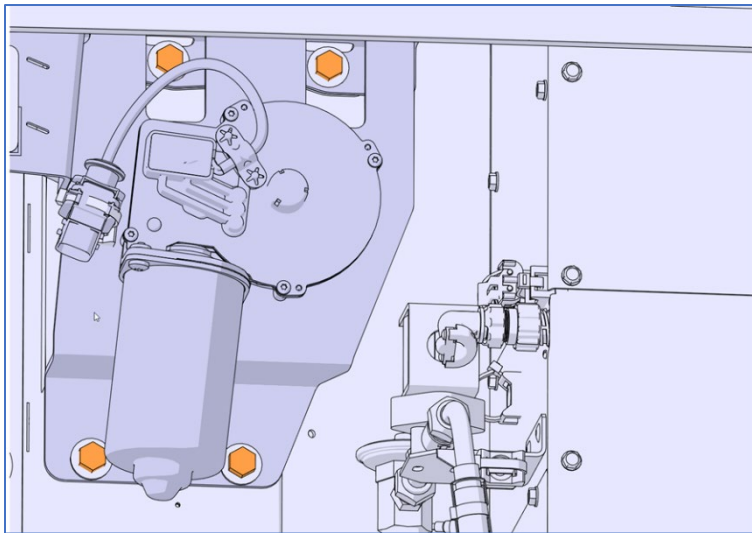


Figure 5: CURB SIDE DRIVE MOTOR

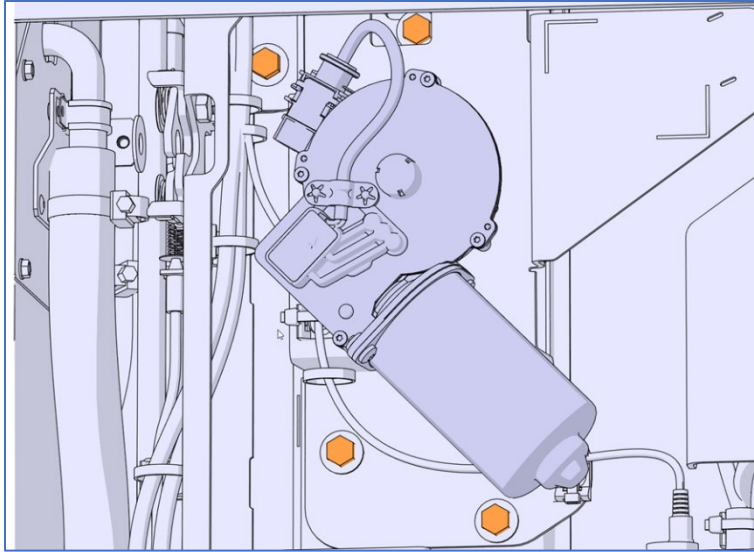


Figure 6 : STREET SIDE DRIVE MOTOR

4. At the back of the drive motor bracket, unscrew the drive motor shaft nut and remove the washer (use 17 mm socket).

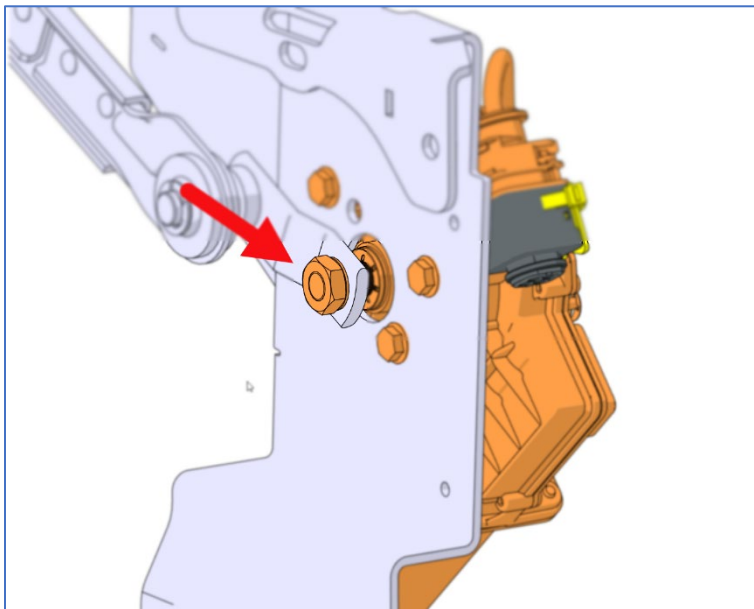


Figure 7



## Linkage Disconnection from The Drive Motor Shaft

5. Using a small pry bar, disconnect the linkage from the drive motor shaft.

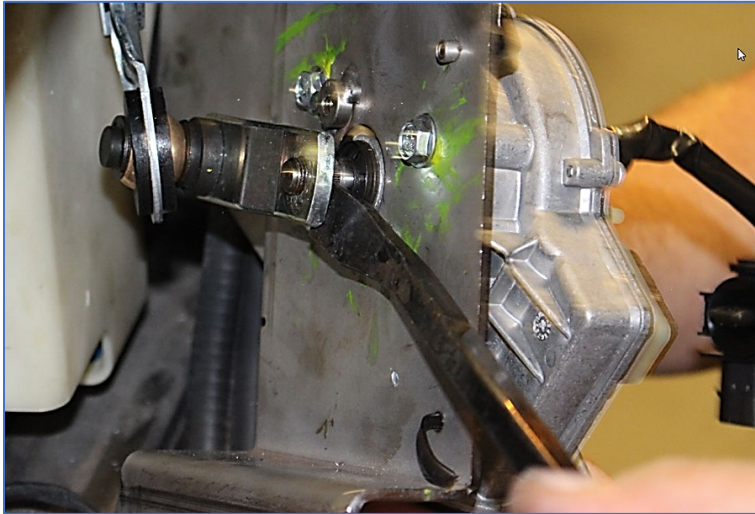


Figure 8

## Drive Motor Removal and Replacement

6. Dismount the drive motor from the bracket. To do so, unscrew the four mounting bolts.

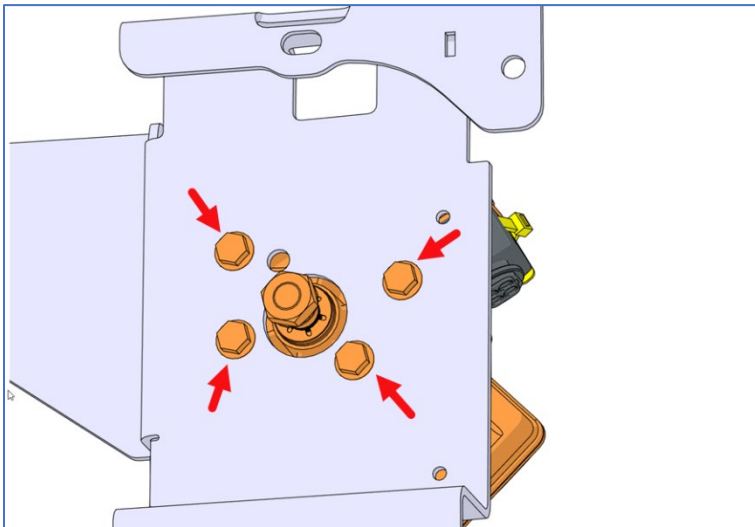


Figure 9

7. Install the new drive motor on the bracket oriented in relation with the bracket (8.5 Nm / 75 lb-in).

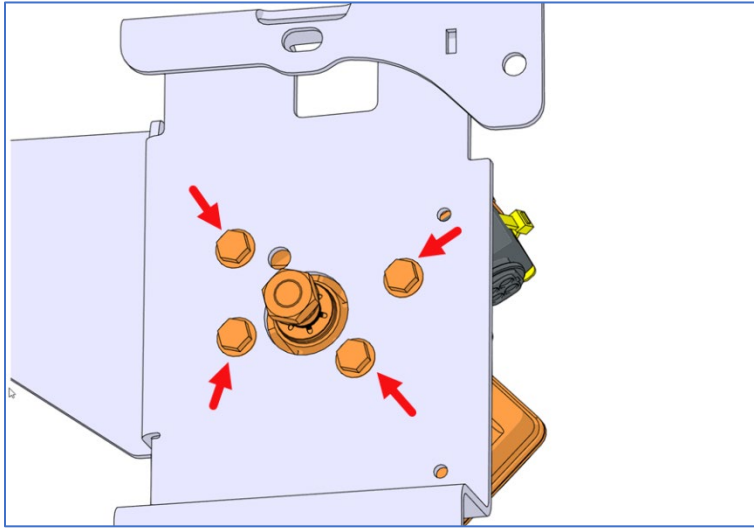


Figure 10

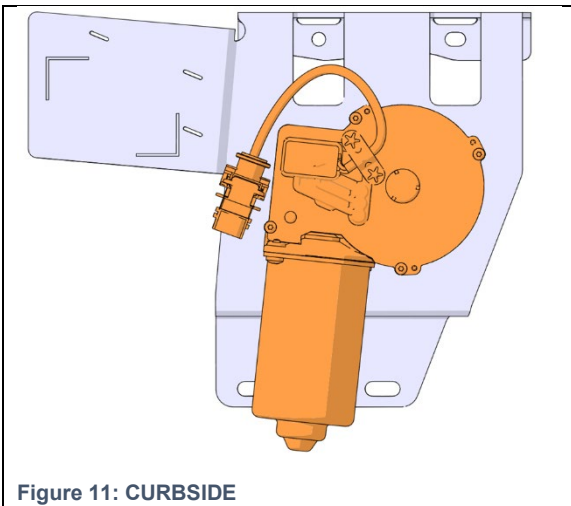


Figure 11: CURBSIDE

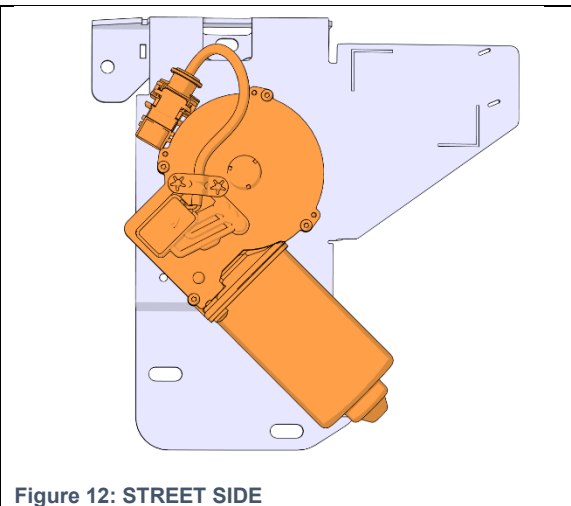


Figure 12: STREET SIDE

## Park Position Setting

NOTE: when setting the park position for the curb side drive motor, the street side drive motor connector must absolutely be connected.

8. **Momentarily**, plug the drive motor connector.
9. **Momentarily**, restore the power supply. Turn the wiper switch to ON then OFF so the new drive motor will be set to park position.



**DANGER**

The wiper linkage can cut your fingers. Cut off the power supply before working on this system.

10. Unplug the drive motor connector. Cut off the power supply.
11. Screw a M6-1.0x30 mm screw in the park position weldnut.
12. Connect the linkage to the drive motor shaft. **Make sure the link rests against the park position screw as shown.**

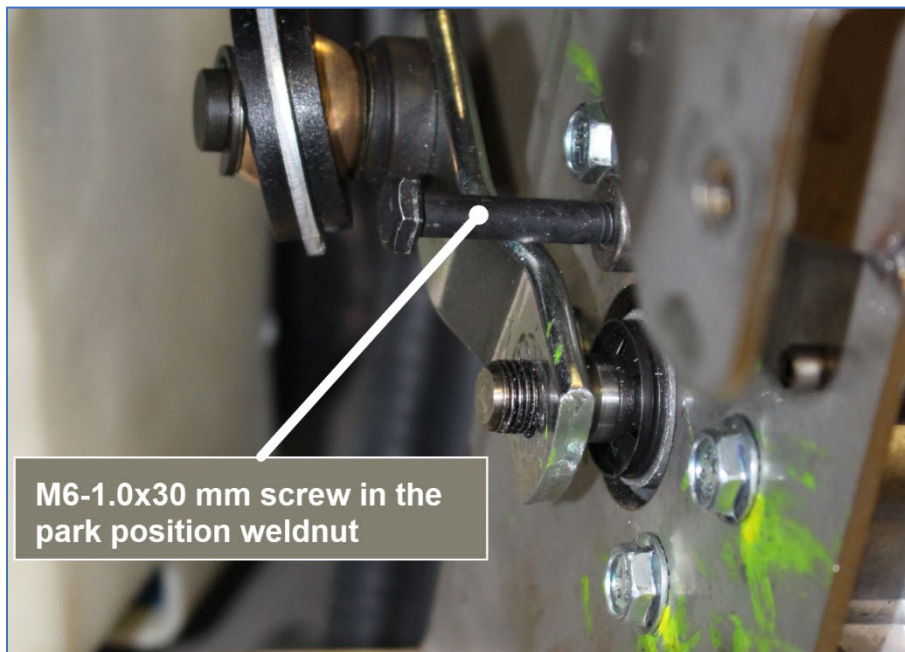


Figure 13

## Linkage Connection to The Drive Motor Shaft

13. Reinstall the washer then the shaft nut. Tighten to a torque of **35 Nm / 26 lb-ft**. Prescribed torque is mandatory. **Make sure the link rests against the park position screw during this operation.**

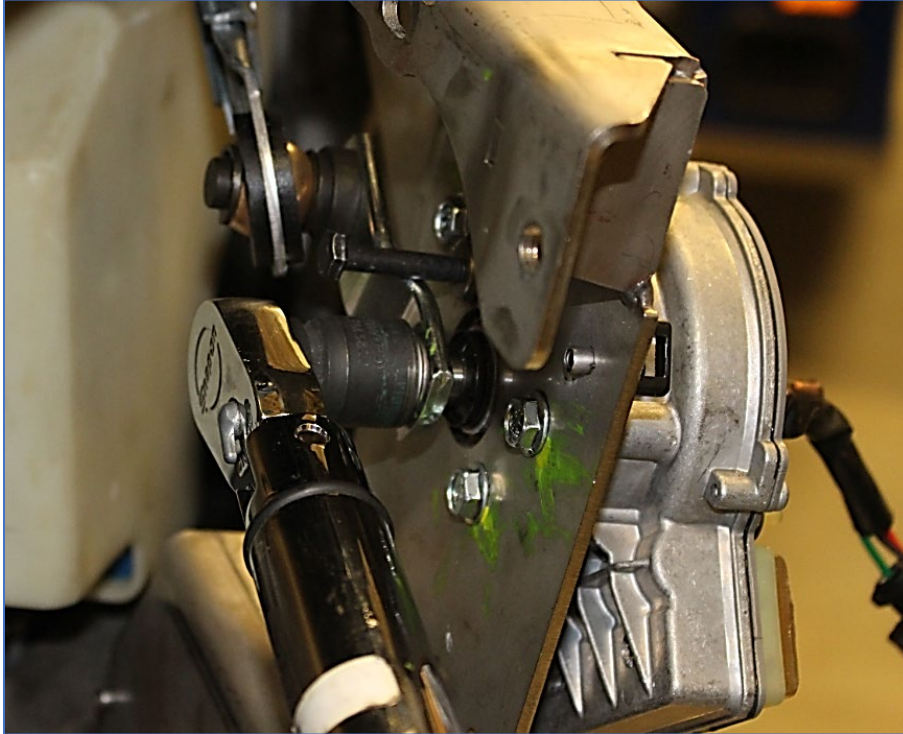


Figure 14

## Drive Motor Bracket Installation

14. Reinstall the drive motor bracket. Tighten bolts to **17 Nm / 13 lb-ft**. Prescribed torque is mandatory.

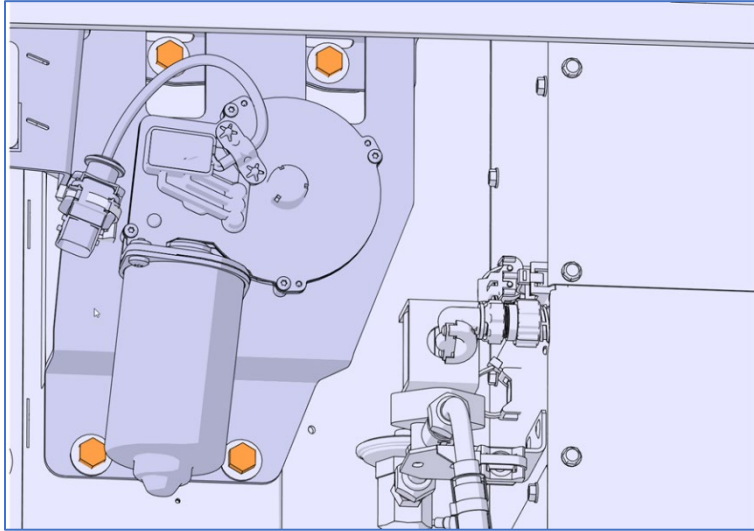


Figure 15: CURBSIDE DRIVE MOTOR

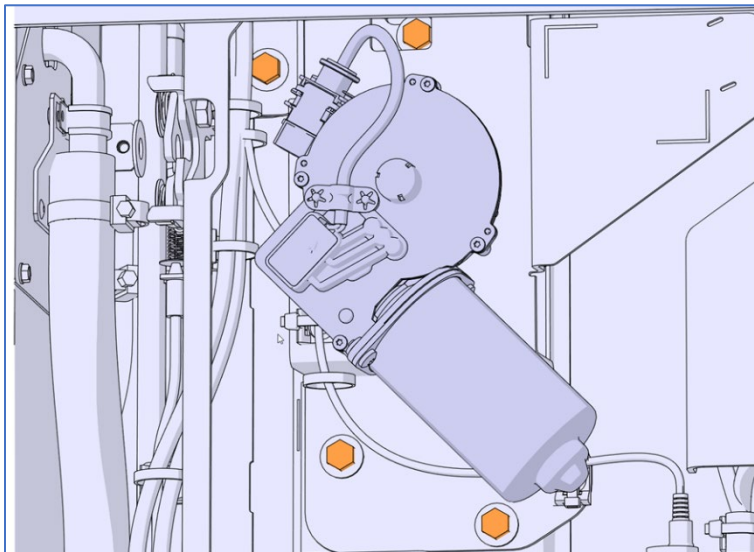


Figure 16 : STREET SIDE DRIVE MOTOR

15. Plug the drive motor connector and secure the connector using nylon tie p/n 504637.

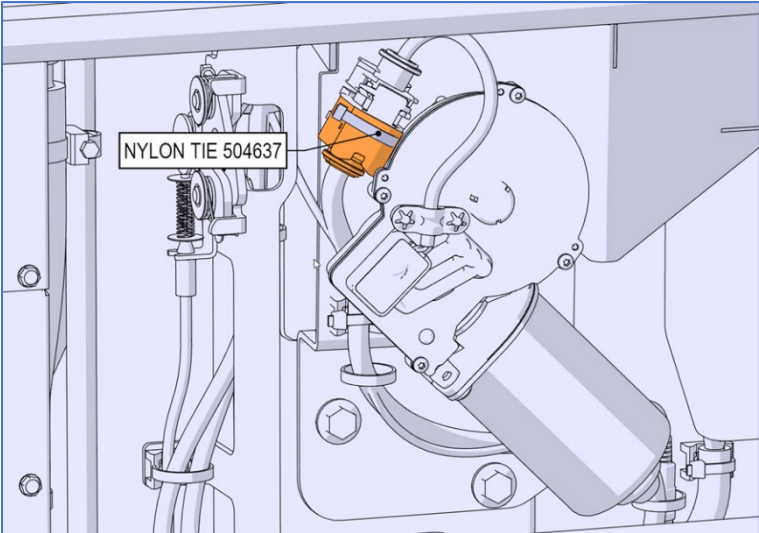


Figure 17

## PART 2 - WIPER PIVOT AND LINKAGE REPLACEMENT



**DANGER**

The wiper linkage can cut your fingers. Cut off the power supply before working on this system.

### Preparation

1. Make sure the wipers are in the park position as shown.
2. Mark wiper blades positions on the windshield.  
*Use masking tape or a pencil or marker that makes temporary markings when used on glass.*

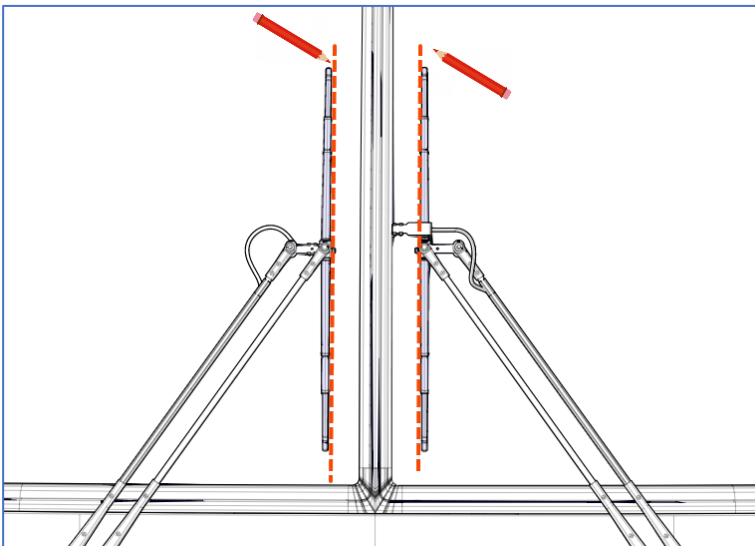


Figure 18

3. Perform Drive Motor Bracket Removal found in PART 1.
4. Perform Linkage Disconnection from The Drive Motor Shaft found in PART 1.



### Wiper Arm and Pivot Hardware Removal

5. Disconnect the windshield washer tube.

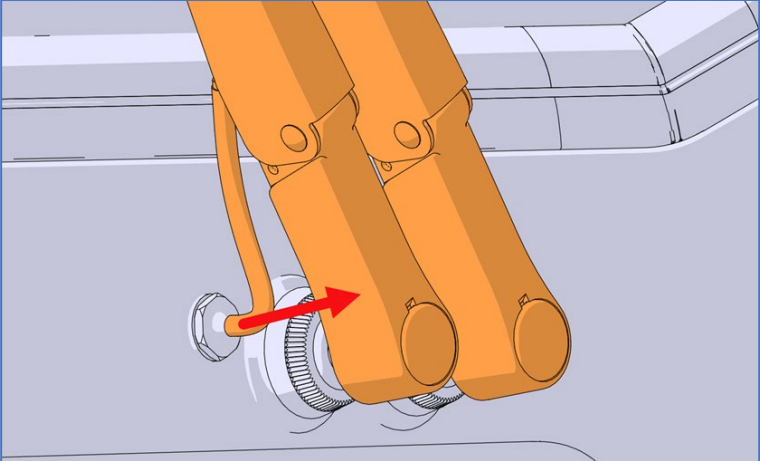


Figure 19

6. Remove the wiper arm nut caps.

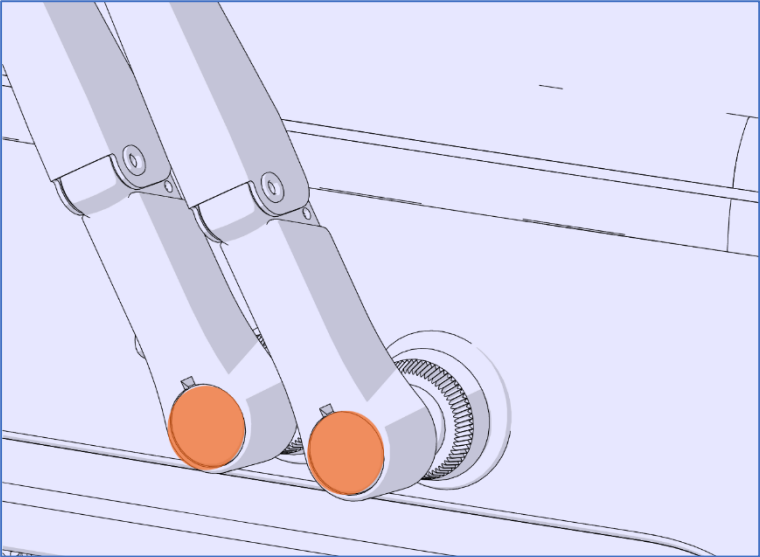


Figure 20



7. Unscrew the wiper arm nuts. Remove the wiper arms. Use of puller no. G37708 is recommended (use 15 mm socket).

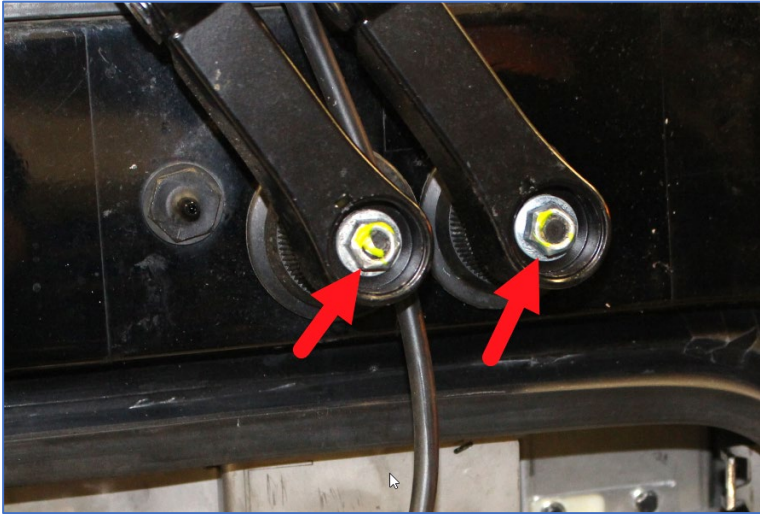


Figure 21

8. Remove the plastic nuts (item 1) and the rubber gaskets (item 2).

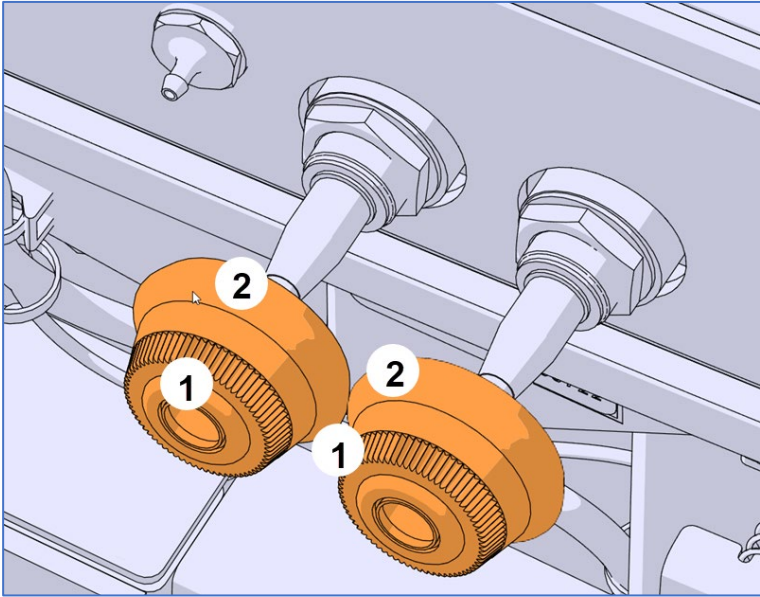


FIGURE 22

9. Remove the butyl sealant applied around the wiper pivots and the fiber panel.



Figure 23

10. Unscrew the two nuts shown on the image below (use 32 mm socket).

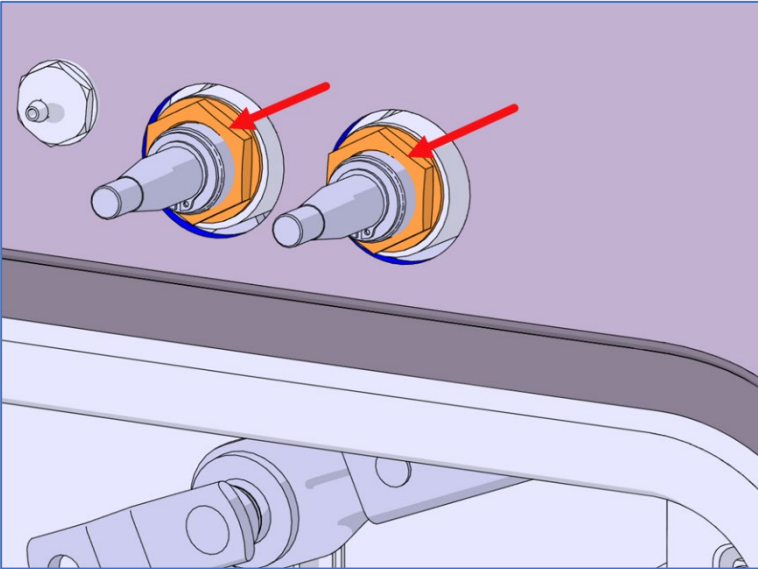


Figure 24

### Wiper Pivot and Linkage Assembly Removal

11. Loosen the four bolts identified on the image below.

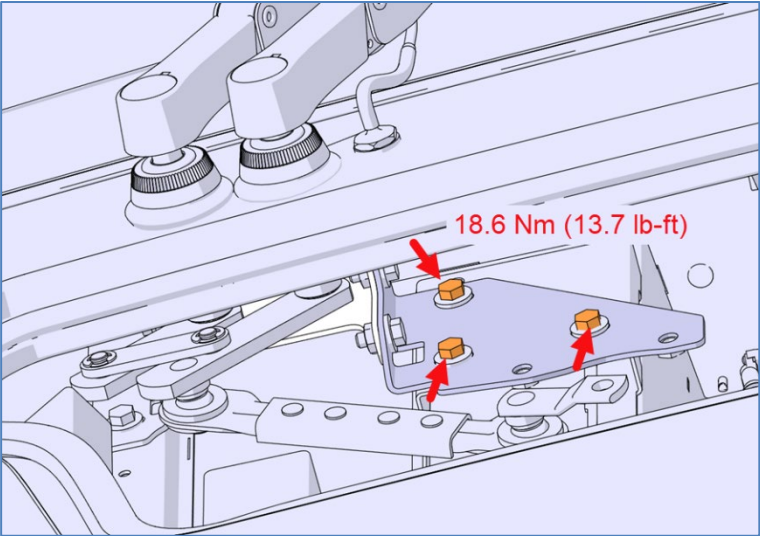


Figure 25: CURB SIDE

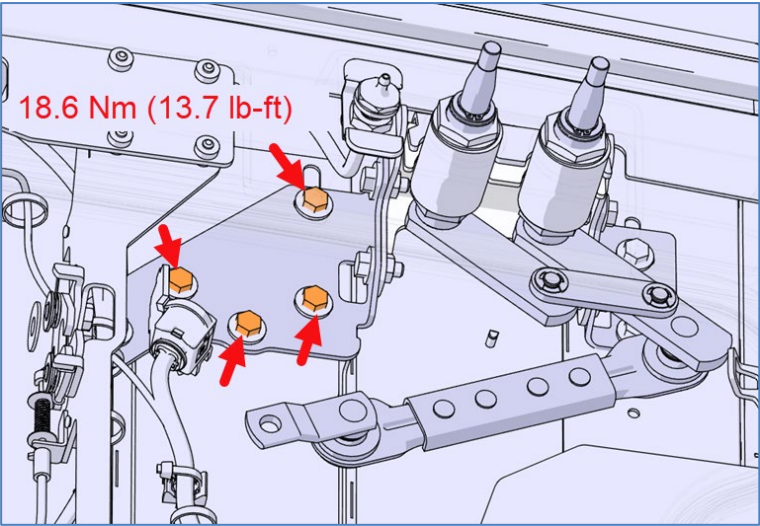


Figure 26 : STREET SIDE

12. Unscrew and remove the two bolts identified on the image below.

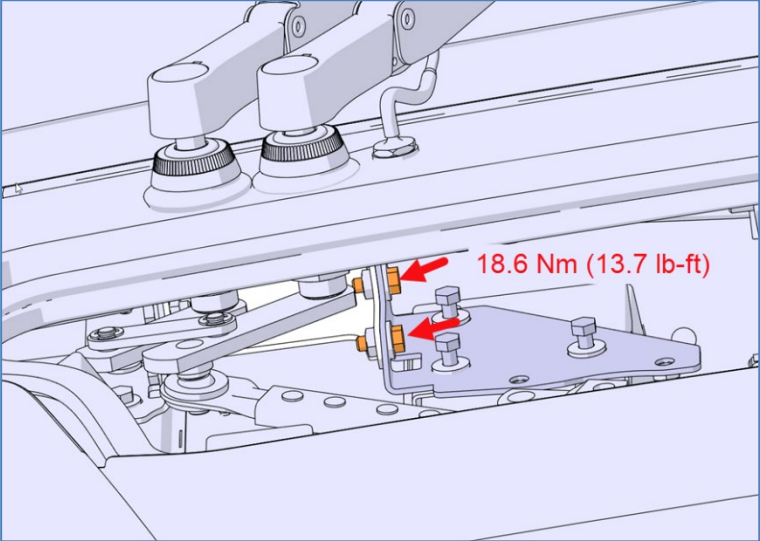


Figure 27: CURBSIDE

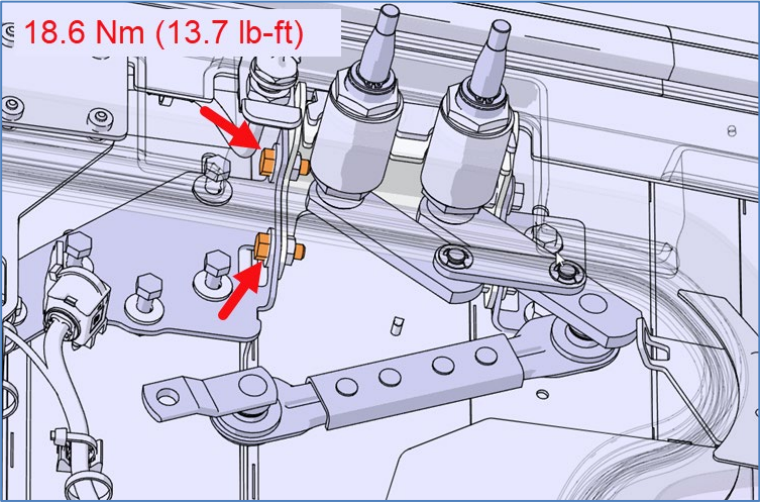


Figure 28 : STREET SIDE



13. Unscrew and remove the two bolts identified on the image below.

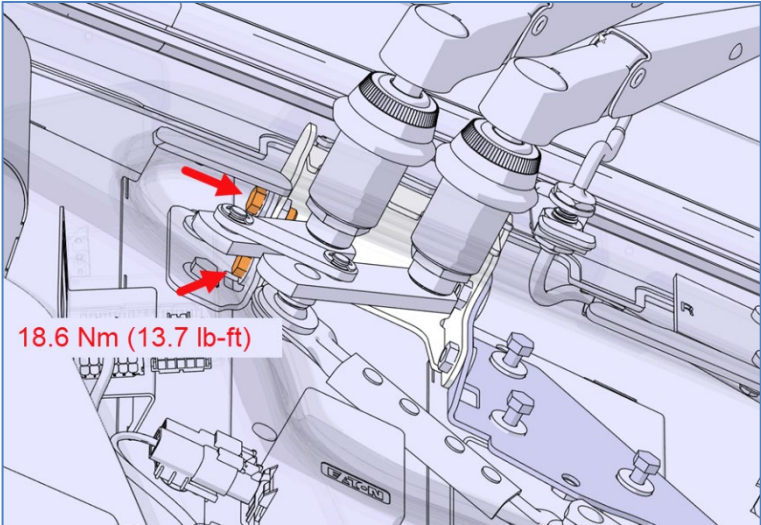
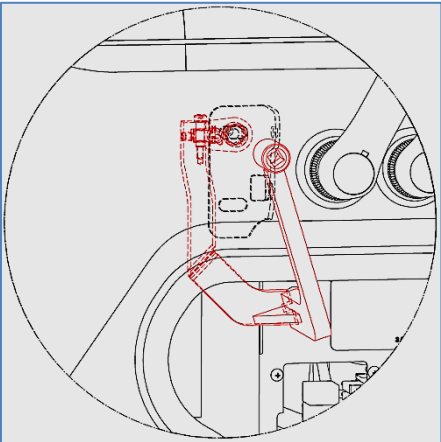


Figure 29: CURB SIDE



USE TORQUE TOOL G37274

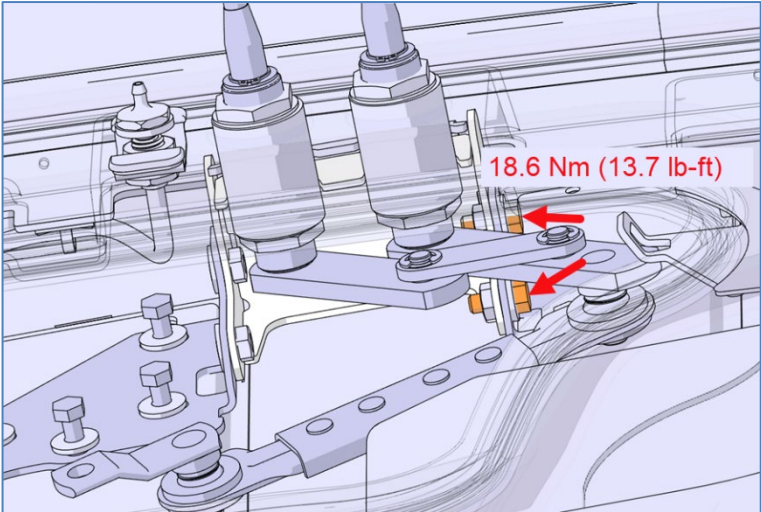
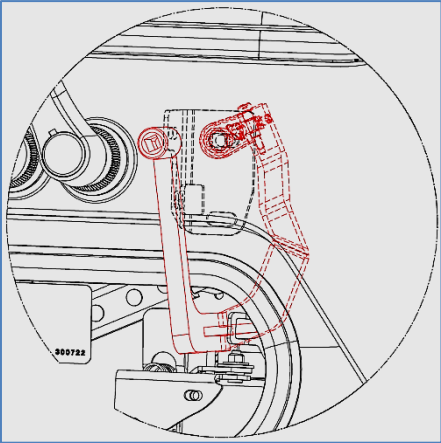


Figure 30 : STREET SIDE



USE TORQUE TOOL G37274

14. Remove the pivot and linkage assembly.

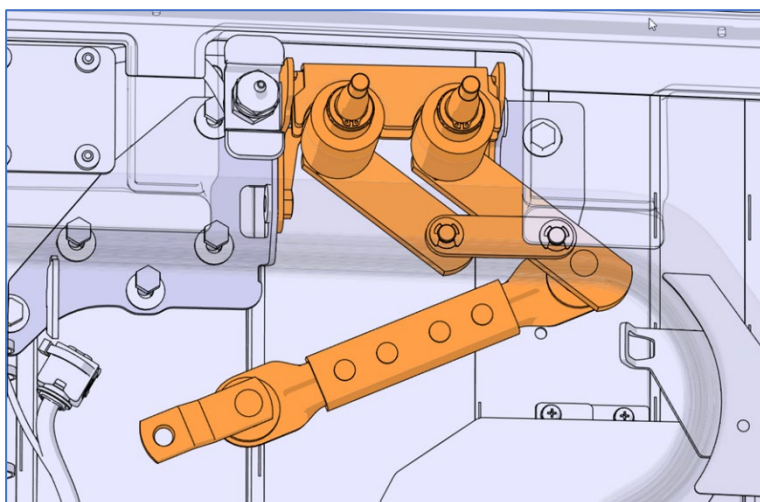


Figure 31

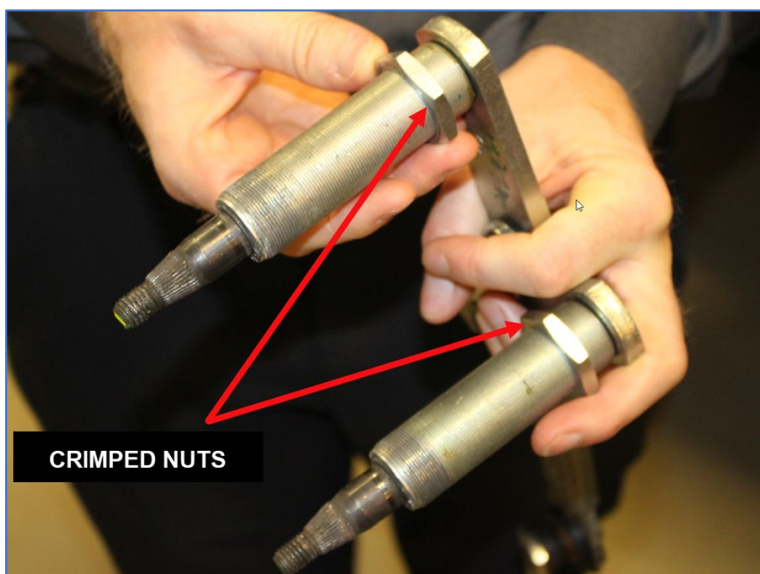


Figure 32

### Damaged Components Replacement

15. Replace the damaged components.

### Pivot and Linkage Assembly Installation

16. Reinstall the pivot and linkage assembly, reversing Wiper Pivot and Linkage Assembly Removal steps. Prescribed torque is mandatory. DO NOT install the wiper arms at this moment.

17. Tighten the pivot nuts.

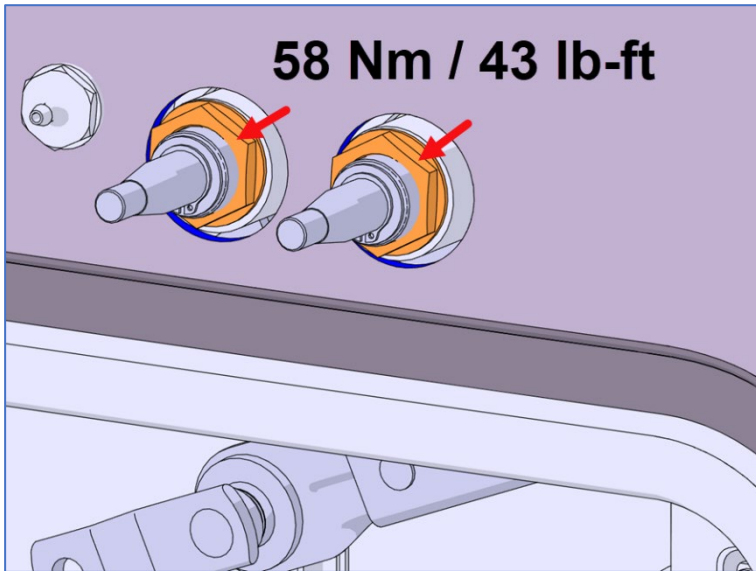


Figure 33

18. Apply butyl or Simson 70-03 sealant between the pivots and the fiber panel and smooth the joint. The sealant joint must be flush with surrounding surface.



Figure 34

### Park Position Setting

19. Perform Park Position Setting found in PART 1 DRIVE MOTOR REPLACEMENT.

### Linkage Connection to The Drive Motor Shaft

20. Perform Linkage Connection to The Drive Motor Shaft found in PART 1 DRIVE MOTOR REPLACEMENT.

### Drive Motor Bracket Installation

21. Perform Drive Motor Bracket Installation found in PART 1 DRIVE MOTOR REPLACEMENT.

## Wiper Arm Installation

22. Reinstall the rubber gaskets (item 2) and the plastic nuts (item 1).

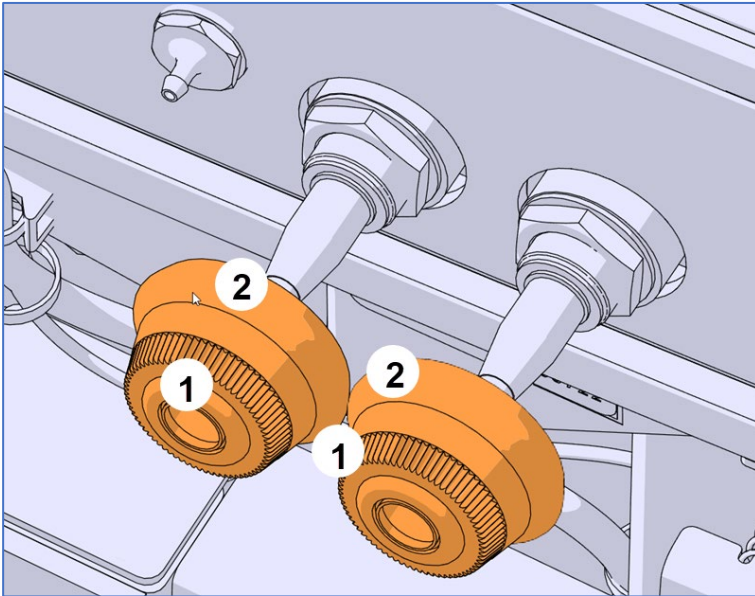


Figure 35

23. Reinstall the wiper arms, making sure the blades align with the marks made previously. Prescribed measurement is  $A=100$  mm (4 in) from the wiper blade to the center of the windshield extrusion.

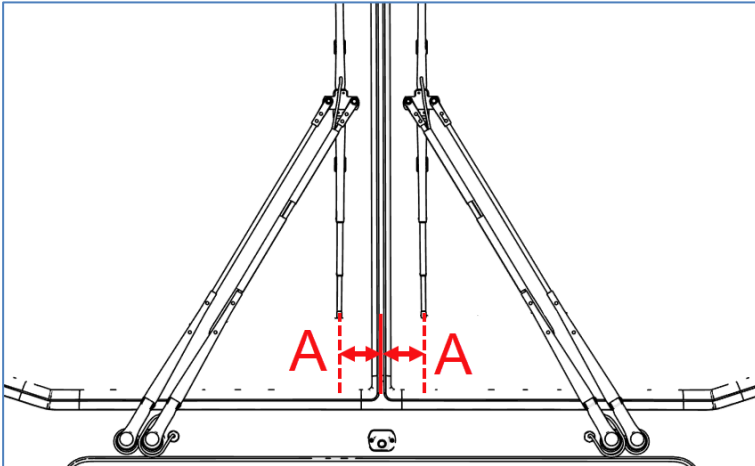


Figure 36

24. Tighten the wiper arms nut to 9 lb-ft. Pull the wiper arm and release. Make sure the blade returns at the proper position. Readjust if necessary.

25. Once proper position is achieved, tighten to 29 lb-ft.



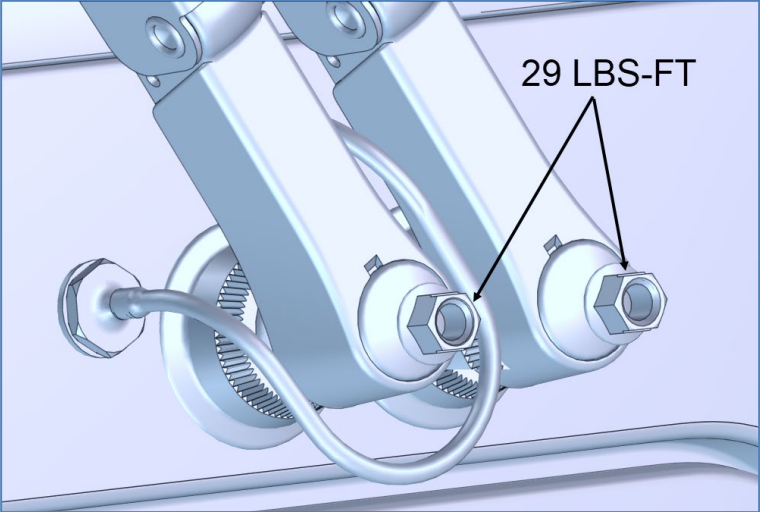


Figure 37

26. Reinstall the wiper arm nuts cap.

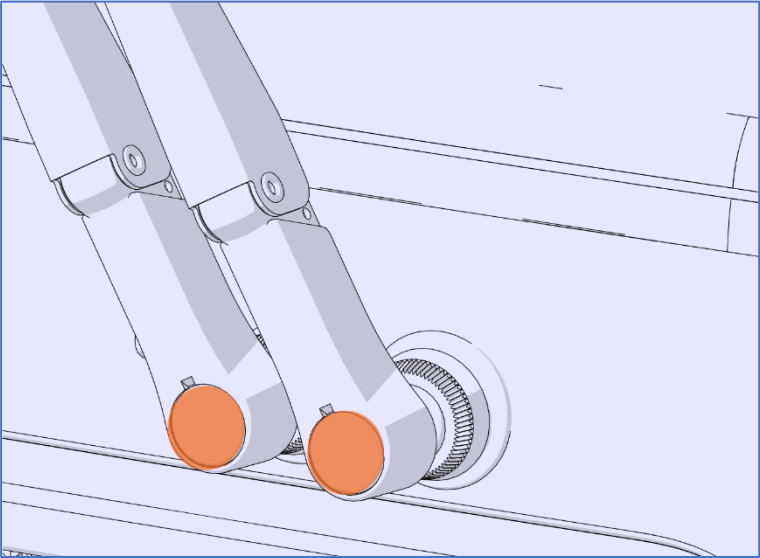


Figure 38

27. Connect the windshield washer tube.

## PARTS / WASTE DISPOSAL

Discard according to applicable environmental regulations (Municipal/State[Prov.]/ Federal)

Access all our Service Bulletins on <http://techpub.prevostcar.com/en/>  
Or scan the QR-Code with your smart phone

**Are you a Vehicle owner?**  
E-mail us at [technicalpublications\\_prev@volvo.com](mailto:technicalpublications_prev@volvo.com) and type "ADD" in the subject to  
receive warranty bulletins applicable to your vehicle(s) by e-mail.

