

REPLACEMENT OF ENGINE COMPARTMENT LAMP FOR XL2 SERIES VEHICLES

MATERIAL

Kit #065757 includes the following parts:

Part No.	Description	Qty
430568	Lamp and support assembly	1
064821	Lamp harness	1
5001040	Screw, taping pan head Phillips SS 6-32x3/4	2
502637	Washer, flat SS	2
IS-00090	Instruction Sheet	1
FI-00090	Feuille d'instructions	1

PROCEDURE

Warning : Park vehicle safely, apply parking brake, stop engine and set battery master switch(es) to the OFF position prior to working on the vehicle.

1. Inside engine compartment, unplug existing lamp connector then remove the lamp.
2. Find a good place where to install the new lamp. Make sure that you will be able to connect it to the lamp connector on the vehicle.

Note : Depending on the location where the lamp will be installed, you may need to reverse the lamp housing. To do so, remove the lamp housing and the rubber joint then reinstall them on the other side of the support as shown on figure 1.

3. Use the support to mark out the drilling position. Drill two holes using a 1/8" bit.
4. Plug blue connector of harness #064821 to lamp housing terminals.
5. Using included fasteners, fix lamp support in place. Use one of the screws to fix ground ring terminal (white lead) onto support.

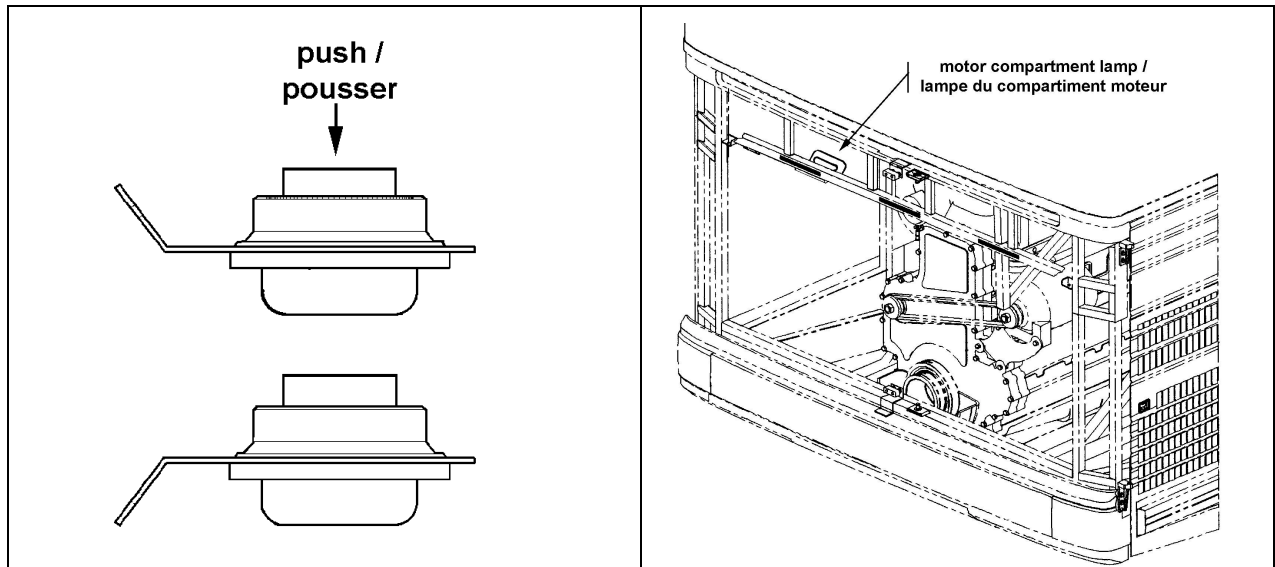


FIGURE 1

FIGURE 2 : SUGGESTED LOCATION

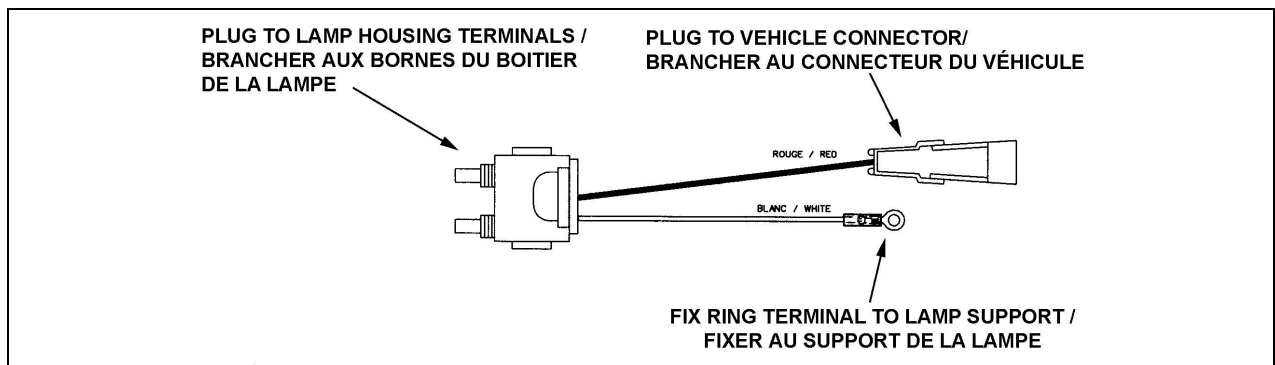


FIGURE 3 : HARNESS 064821

Note : Replacement of the second engine compartment lamp located under the lavatory main sump tank housing. Remove the existing lamp, use one the existing holes and drill a second hole to fix the support. Be careful not to drill through the lavatory main sump tank located at 1" inside the housing.

6. Plug the second harness connector (red lead) to vehicle connector.
7. The installation is completed. Test the lamp functioning.