

PREVOST

Instruction Sheet

IS-01043

INSTALLATION OF “HAPPICH” ELECTRICALLY OPERATED WINDSHIELD SHADES

MATERIAL

Kit #405409 includes the following parts:

Part No.	Description	Qty
900986	Sunshade, electrically operated	1
IS-01043	Instruction Sheet	1
FI-01043	Feuille d'instructions	1

PROCEDURE

Warning: Park vehicle safely, apply parking brake, stop engine and set battery master switch(es) to the OFF position prior to working on the vehicle.

1. In order to remove the electrically operated sunshade installed behind the windshield; disconnect former shade power connector (refer to figure 1).
2. Remove shade fixing screws.
3. Separate guide rod bracket and eyelet from guide rod.
4. If vehicle is equipped with former shade version, you must also remove the two brackets prior to installing the new shade.
5. Slide each guide rod into “Happich” shade eyelet then fix guide rod to bracket. Secure new electrically operated shade at previous location using screw and washer.
6. Reconnect the connector.

Note: Two rocker switches on the dashboard operate each shade individually. Refer to Operator's Manual: “Controls and Instruments” chapter for more information.

Caution: The electric sunshades should only be operated electrically. Pulling down manually may damage the mechanism.

Note: The sunshades are pre-adjusted, under no circumstances try to operate by hand. If shade is mis-adjusted, return to manufacturer without tampering. If seal is broken, the warranty will be automatically void.

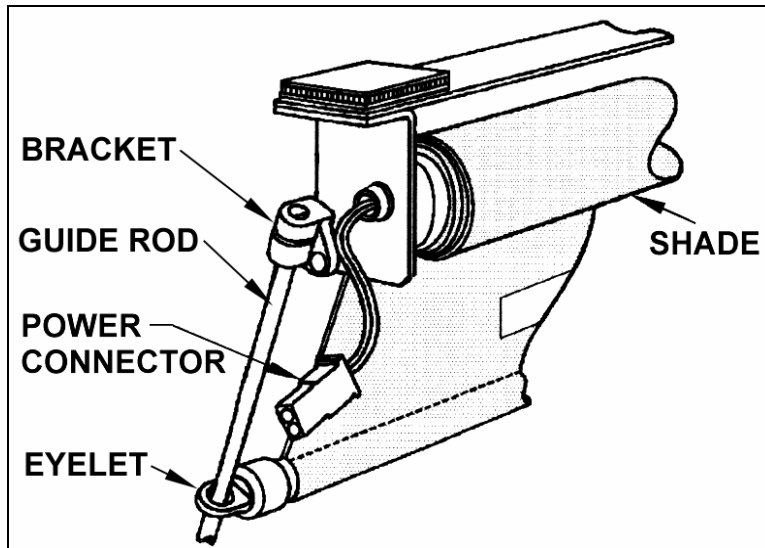


FIGURE 1: FORMER INSTALLATION

In case you decide to make adjustments, only proceed as follows:

1. Push the two (black and yellow) buttons into lock position. This cancels the pre-adjusted stop positions.
2. Move the sunshade into the requested upper limit position by using the electric motor (do not operate by hand). Press the button that is shaped like an arrow showing upwards. The upper position is now adjusted.
3. Now move the sunshade into the requested lower limit position by using the electric motor (do not operate by hand). Press the button that is shaped like an arrow showing downwards. The lower stop position is now adjusted.