

PREVOST

Instruction Sheet

IS-02038

REPLACEMENT OF "POLLAK" INSTRUMENT CLUSTER HOUSING

MATERIAL

Kit #065703 includes the following parts :

Part No.	Description	Qty
563215	Housing and glass pane assembly	1
563216	Warranty label	3
509824	Foam tape	1
IS-02901	Instruction Sheet	1
FI-02901	Feuille d'instructions	1

PROCEDURE

General Work Practices

Note: Individual gauges or modules in the H3/XL2 instrument cluster are not serviceable during the warranty period. **Attempts to service or replace individual modules or gauges during the warranty period will void the cluster warranty. PrévoSt Car Inc. has special agreement with Pollak to authorize opening of the cluster for the sole purpose of replacing the broken glass pane. Affix the three warranty labels supplied in the kit (with punched holes) to keep the warranty in effect.**

Caution: To prevent electrostatic discharge (ESD), which may damage the sensitive electronic components in the instrument cluster, make sure the workbench has an anti-static mat which is grounded to the nearest electrical outlet when working on the instrument cluster. Failure to use an anti-static mat may result in permanent damage to the printed circuit boards in the instrument cluster. When working at the anti-static workbench, always keep a wrist strap connected to the anti-static mat.

When dealing with circuits designed to sense differences smaller than 1 volt, electrostatic discharge can be a subtle but destructive problem. Circuit boards mounted in the instrument cluster or in modules mounted elsewhere may not fail immediately after being hit with a static discharge. Rather they may work for a while, then fail for no apparent reason. The culprit then is often the normal warming up and cooling down process of the module, engine or cab interior.

Grounding straps and anti-static mats are available for minimal cost from electronic supply stores. Grounding straps consist of a wrist strap, a coiled extension wire and an alligator clip. Be sure to purchase one with a long enough extension wire to allow freedom of movement.

Anti-static wrist straps and mats are available from Kent-Moore. Call 1-800-328-6657.

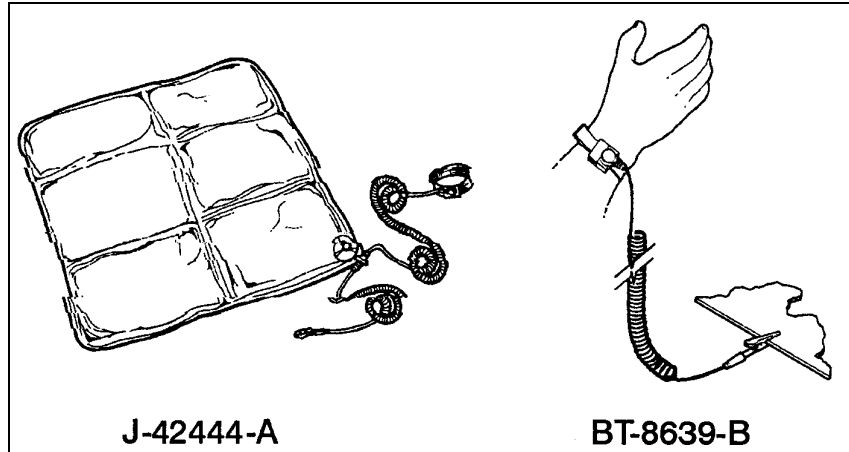


FIGURE 1: SPECIAL EQUIPMENT

Instrument Cluster Housing and Glass Pane Replacement

Warning : Park vehicle safely, apply parking brake, stop engine and set battery master switch(es) to the OFF position prior to working on the vehicle.

Note : This instruction sheet is not intended for the replacement of one of the modules, only for the replacement of the glass pane.

1. Remove the air from the air tank by applying the brakes repeatedly.
2. Remove the dashboard cover.
3. Disconnect the instrument cluster cabling.
4. Disconnect the 3 air hoses.
5. Remove the nuts fixing the instrument cluster to the dashboard housing (figure 2).
6. Remove the instrument cluster.
7. Place the instrument cluster on a static mat for repairs. A static bracelet must be worn for all bench repairs.

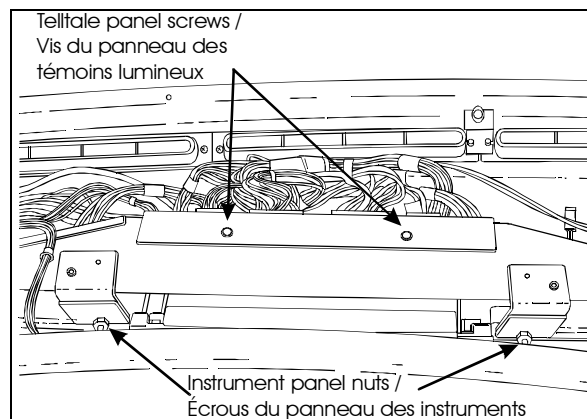


FIGURE 2 : DASHBOARD COMPONENTS

Caution: When servicing or troubleshooting, do not leave the cluster face-down for more than 15 minutes, or damage to the gauges may occur. Gauge oil can run out the front of the gauge faces and make the gauges inaccurate.

-
- Cut the warranty labels and remove the 3 left module mounting screws. Remove the left module cover. Carefully lift the CPU/graphic display module. Lay to the side on the static mat (refer to figure 3).

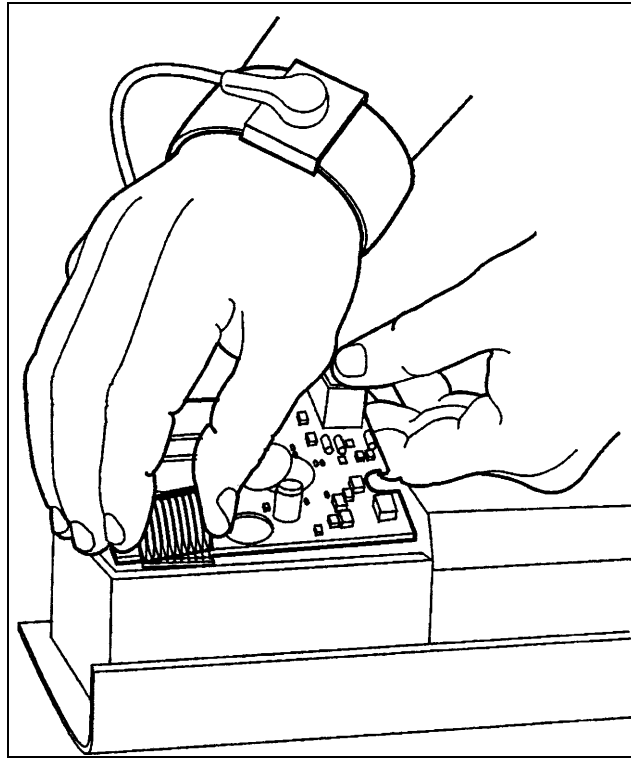


FIGURE 3: LEFT MODULE REMOVAL

- Remove the 4 mounting screws for the left gauge module and remove from the cluster housing. Lay to the side on the static mat.
- Remove the 4 center module mounting screws, and remove the center module from the housing. Lay to the side on the static mat.
- Remove the 3 right module mounting screws. Remove the right module cover, and remove the right module from the housing. Lay to the side on the static mat.
- Remove the 2 gauge blanks from inside the cluster housing and discard the cluster.
- Cut the foam tape (Prévost #506007) in 4 parts and affix on the new cluster housing (refer to figure 4).

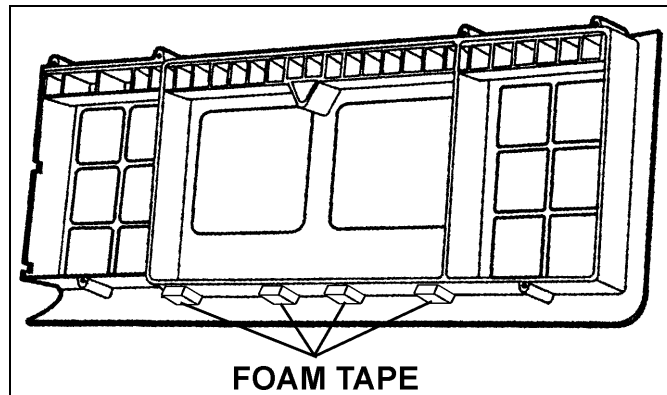


FIGURE 4: FOAM TAPE INSTALLATION

- Take the 2 blanks previously removed from the former cluster and lay them inside the replacement one in their proper place.

-
15. Lay the replacement cluster on the static mat.
 16. Install the right module into the replacement cluster housing. Install the cover with the 3 mounting screws.
 17. Install the center module into the replacement cluster housing. Install the cover with the 4 mounting screws.
 18. Install the left gauge module into the replacement cluster housing. Secure using the 4 mounting screws. Install the CPU/graphic display module in place. Install the left module cover with the 3 mounting screws.
 19. Affix new warranty labels (Prévost #563216) and write down the former cluster Prévost number on one paper label of the new cluster housing.

Note : *Serial # are stored inside the module memory and therefore do not have to be retranscribed.*

Instrument Cluster Installation

1. Reinstall the instrument cluster into the dashboard housing.
2. Insert the lower part of Pollak instrument cluster into the housing. Exert a pressure on the lower part of instrument cluster to avoid jamming the instrument cluster glass pane. Rest the leaf spring against the supports.

Note : *The instrument panel supports may be lowered from 1mm to 2mm maximum if, after tightening, the lens does not clear the housing (figure 5).*

3. Bring back the top of the instrument cluster, insert the screws and tighten the nuts until the instrument cluster rests against the housing (figure 5).
4. Reconnect the 3 air hoses.

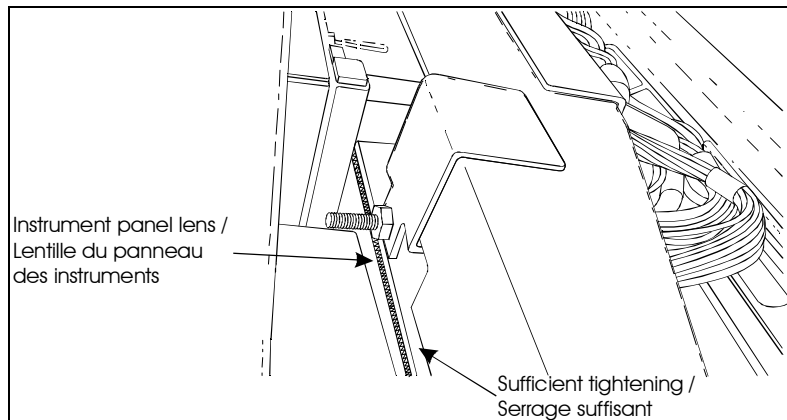


FIGURE 5

5. Reconnect the instrument cluster cabling.
6. Reinstall the dashboard cover.