

PREVOST

Instruction Sheet

IS-02059

FUEL TANK REINFORCED RETAINERS INSTALLATION FOR XL, XLII COACHES AND MTH

MATERIAL

Kit #032504 includes the following parts:

Part No.	Description	Qty
032443	Crosspiece	2
032463	Post	4
502102	Pin, cotter 1/8 x 1	4
502121	Pin, clevis 3/8 x 1 5/8	4
506758	Neoprene ribbon 1/16 x 1 1/2 x 15ft	1
IS-02059	Instruction Sheet	1
FI-02059	Feuille d'instructions	1

Kit #032509 includes the following parts:

Part No.	Description	Qty
032508	Crosspiece	1
032506	Post	2
502102	Pin, cotter 1/8 x 1	2
502121	Pin, clevis 3/8 x 1 5/8	2
506758	Neoprene ribbon 1/16 x 1 1/2 x 9ft	1
IS-02059	Instruction Sheet	1
FI-02059	Feuille d'instructions	1

PROCEDURE

Warning: Park vehicle safely, apply parking brake, stop engine and set battery master switch(es) to the OFF position prior to working on the vehicle.

Important: Proceed with the installation when the fuel tank contains approximately 1/3 of its maximum capacity. If there is too much fuel, the tank will have a rounded shape that will make impossible the installation of the retainers.

1. Close the manual shut-off valve located at the inlet side of the primary fuel filter on the engine R.H. side (figure 1).

Note: If so equipped, close the manual shut-off valve on the optional Fuel Pro 382 diesel filter located in the engine R.H. side compartment (figure 2).

Warning: Before working under an air-suspended vehicle, it is strongly recommended to support the body at the recommended jacking points.

2. Inside the condenser compartment, open the fuel tank access panel. The rear baggage compartment fuel tank access panel must be removed to facilitate access to the components.
3. Unscrew clamps retaining L.H. side and R.H. side filler tubes to the fuel tank and then disconnect both tubes (figure 3).
4. Unscrew engine supply and return lines from fuel tank connection panel (figure 3). To ease reinstallation, identify the lines.

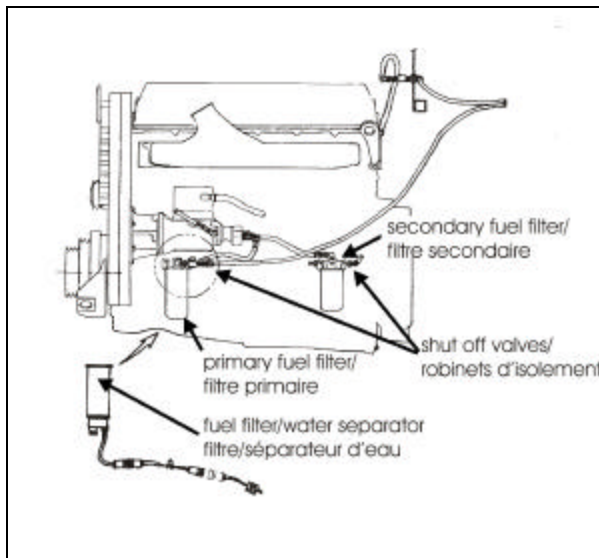


FIGURE 1: SHUT OFF VALVES AND FUEL FILTERS

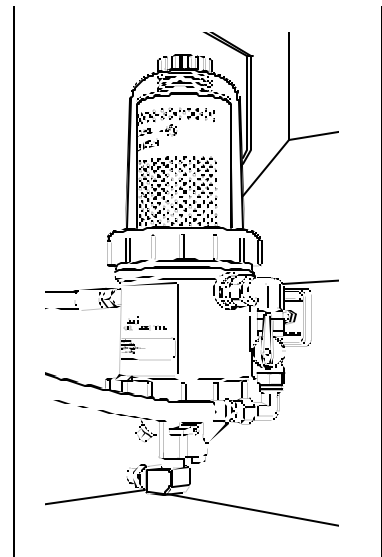


FIGURE 2: FUEL PRO 382

5. Disconnect electrical wiring from the fuel level sender assembly.

Warning: Before removing the bolts securing the tank support to the frame, make sure the tank is supported adequately. Failure to do so could result in injury as well as damage to the tank.

6. With the tank adequately supported, from under the vehicle, unscrew the bolts retaining the tank support to the frame.
7. Gain access to the tank by raising the vehicle.
8. Remove the existing retaining straps.
9. Assemble the new fuel tank retainers using the crosspieces, posts, clevis pin and cotter pins included in kit #032504 or #032509.
10. On the retainer side in contact with the tank, apply neoprene ribbon.

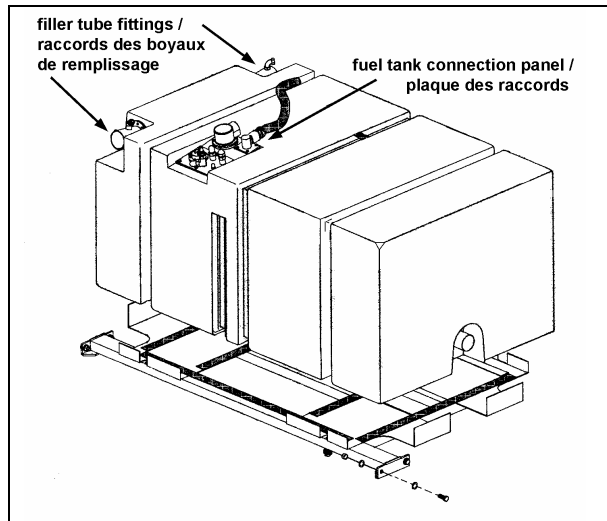


FIGURE 3: FUEL TANK DETAIL

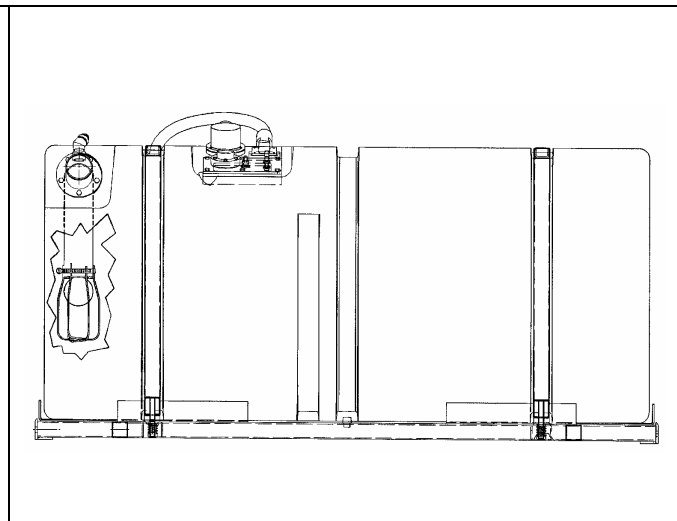


FIGURE 4: TANK WITH REINFORCED RETAINERS

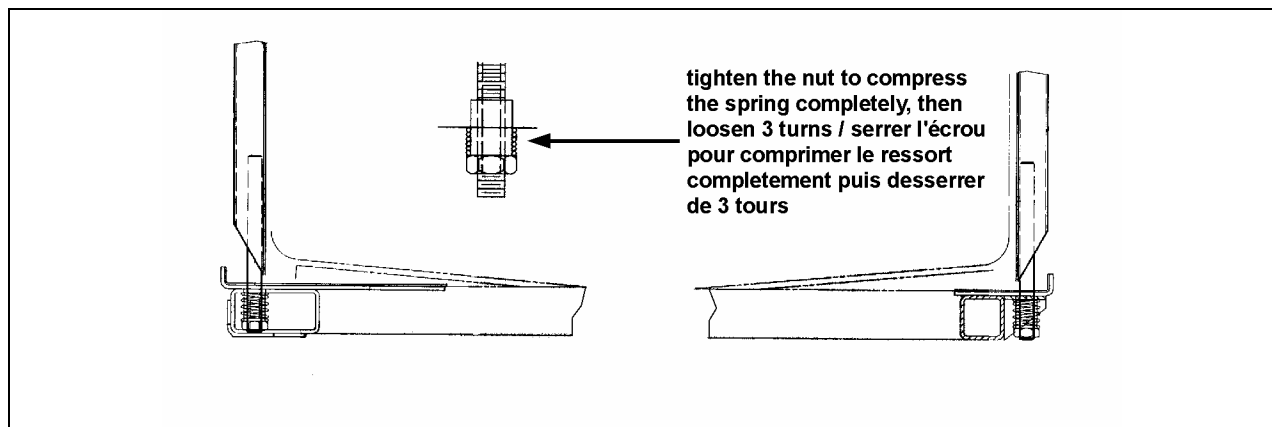


FIGURE 5: RETAINERS BOLTING ON TANK SUPPORT

11. Fix the new retainers on the tank support. Tighten the nuts to compress the spring completely and then loosen 3 turns (figure 5).
12. Lower the vehicle. Bolt the tank support to the frame.
13. Connect electrical wiring to fuel level sender assembly.
14. Reinstall all the fuel lines. Use **Loctite 567** thread sealant on fittings.
15. Reconnect both L.H. side and R.H. side filler tubes to the fuel tank. Tighten the hose clamps.
16. Reinstall or close the fuel tank access panels.
17. Open the manual shut-off valves on the primary fuel filter and on the Fuel Pro 382 diesel filter.
18. The installation is now completed.

Caution: For proper assembly, check connections and fasteners for tightness.

Note: If you are experiencing problems restarting the engine, refer to section 3 of the Maintenance Manual under "Priming Fuel system".
