

PREVOST

Instruction Sheet

IS-03044

INSTALLATION OF NEW SEALLESS WATER RECIRCULATING PUMP

1ST PART: XL2 VEHICLES EQUIPPED WITH SMALL A/C SYSTEM

MATERIAL

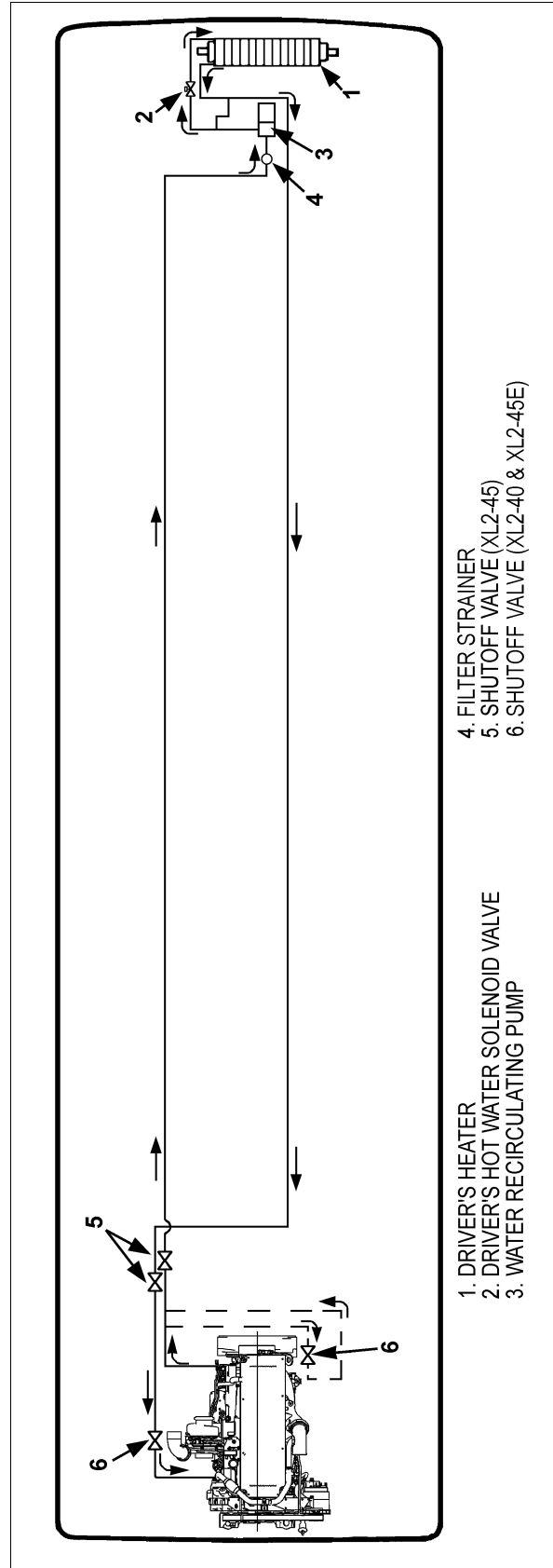
Kit #374053 includes the following parts:

Part No.	Description	Qty
373688	Hose, 260 mm long	1
374060	Support, pump	1
5001580	Screw, Cap, Hex. Head 3/8-16 X .875	4
500478	Washer, Split Lock ZP 3/8 X 11/16 X .094	4
502526	Screw, TC, Binding Head Phillips, ZP 12-24 X 3/4	2
504235	Clamp, Retaining SS/CS	2
506728	Band, Rubber 1/4 inch X 3/4 inch	1
561568	Pin, Contact	2
561781	Connector	1
561783	Plug, Seal	1
561786	Seal	2
870441	Gasket	2
871342	Pump, Sealless	1
IS-03044	Instruction Sheet	1
FI-03044	Feuille d'instructions	1

PROCEDURE

Warning: Park vehicle safely, apply parking brake, stop engine and set battery master switch(es) to the OFF position prior to working on the vehicle.

1. Close both heater line shut-off valves (items 5 and 6, figure 1).



- 1. DRIVER'S HEATER
- 2. DRIVER'S HOT WATER SOLENOID VALVE
- 3. WATER RECIRCULATING PUMP
- 4. FILTER STRAINER
- 5. SHUTOFF VALVE (XL2-45)
- 6. SHUTOFF VALVE (XL2-40 & XL2-45E)

FIGURE 1

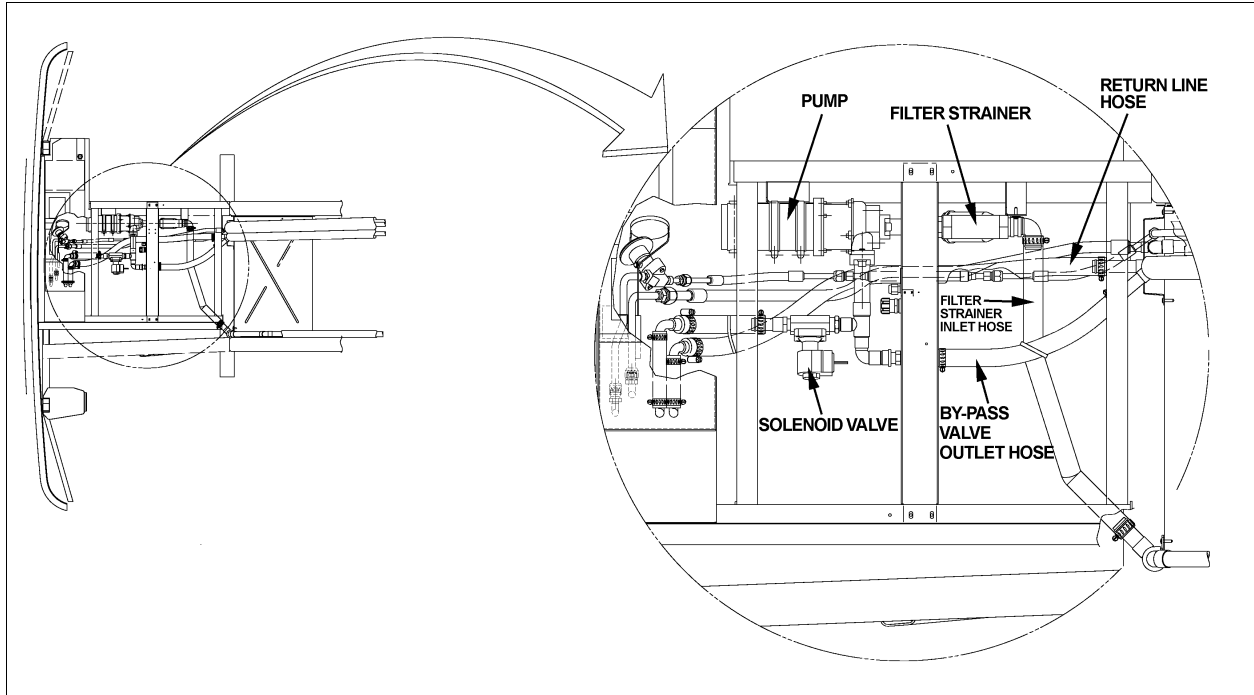


FIGURE 2

2. Using locking pliers, pinch the 3 following hoses: filter strainer inlet hose, return line hose and by-pass valve outlet hose (refer to figure 2).
3. Unfasten pump and hoses retaining clamps then remove pump assembly.

Note: You can also unbolt the pump outlet flange in order to split the pump assembly into 2 parts.

4. Install the new pump assembly electrical connections. Feed the red and the black wires each through one of the 2 seals (561786) then crimp a contact pin (561568) onto each wire. Insert the 2 wires into the connector (561781) with the red wire in position "A" and the black wire in position "B". Insert the seal plug (561783) into the connector, in position "C" then close the connector cover.

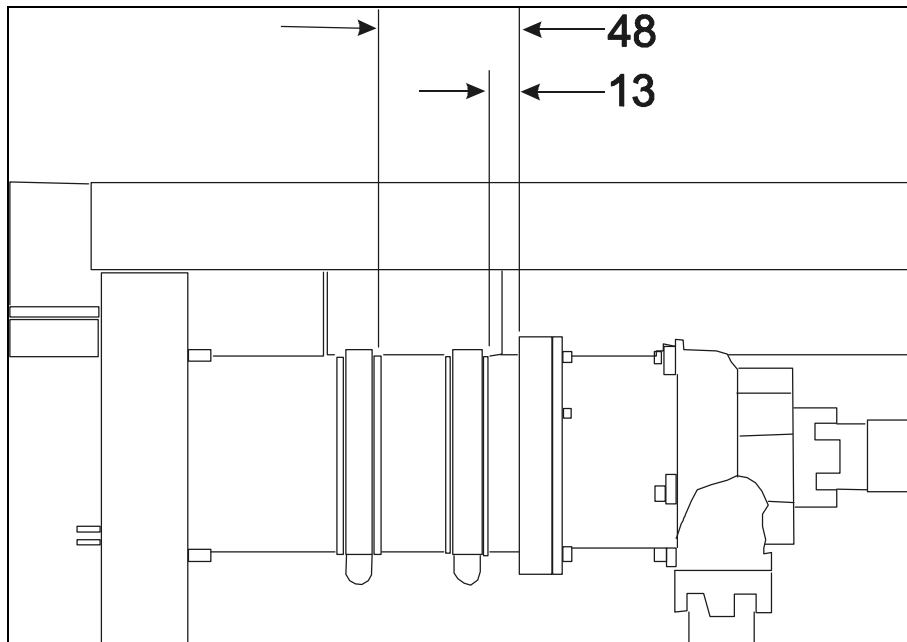


FIGURE 3

5. Install the 2 gaskets (870441) onto the inlet and outlet flanges then secure using washers (500478) and screws (5001580).

Note: Apply some gasket shellac (680527) onto the gaskets.

6. Cut the supplied rubber band (506728) in 2 parts of suitable length then position the pump rubber bands and retaining clamps (504235) (refer to figure 3).

Note: To facilitate the installation, you can split the pump assembly into 2 parts: pump-filter strainer and water solenoid valve.

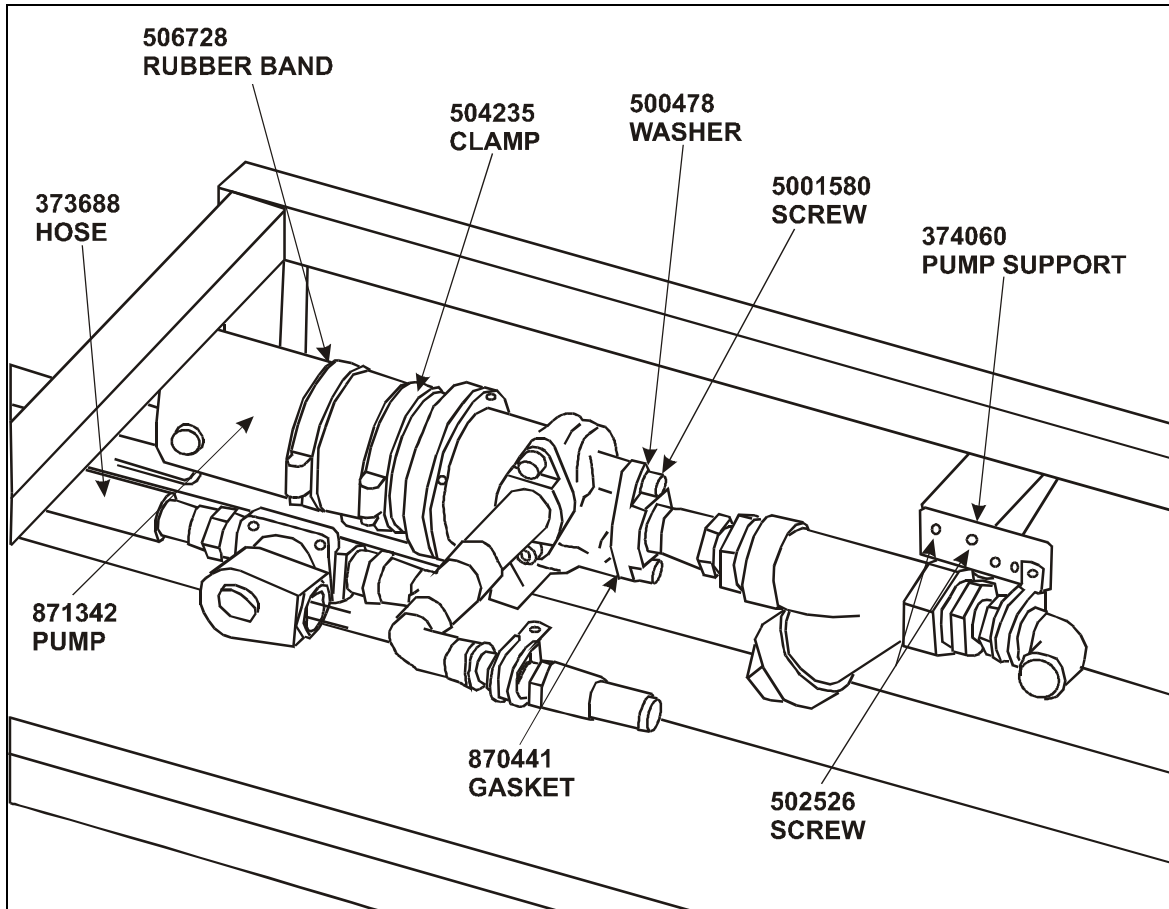


FIGURE 4

7. Install the retaining clamps (504235) onto the pump support then secure the new pump assembly making sure that the retaining clamps are centered on the rubber bands.
8. Move the “Adel” hose clamp located near the filter strainer then secure it to the new pump support (374060) using the 2 screws (502526) (refer to figure 4).
9. Reconnect the filter strainer inlet hose.

Note: If the pump assembly installation was performed in two steps, fix the pump outlet flange.

10. Move the by-pass valve “Adel” hose clamp, adjust the length of the by-pass valve outlet hose then reconnect the hose.
11. Replace the solenoid valve outlet hose (373688) (refer to figure 4).
12. Remove the 3 locking pliers from the hoses then open the heater line shut-off valves.
13. Open the defroster manual vent, as soon as liquid starts to flow, close the manual vent and start the pump.

2ND PART: VIP VEHICLES EQUIPPED WITH SMALL A/C SYSTEM

MATERIAL

Kit #374061 includes the following parts:

Part No.	Description	Qty
373688	Hose, 260 mm long	1
374054	Support, pump	1
5001580	Screw, Cap, Hex. Head 3/8-16 X .875	4
500478	Washer, Split Lock ZP 3/8 X 11/16 X .094	4
504235	Clamp, Retaining SS/CS	2
506728	Band, Rubber ¼ inch X ¾ inch	1
561568	Pin, Contact	2
561781	Connector	1
561783	Plug, Seal	1
561786	Seal	2
870441	Gasket	2
871342	Pump, Sealless	1
IS-03044	Instruction Sheet	1
FI-03044	Feuille d'instructions	1

PROCEDURE

Warning: Park vehicle safely, apply parking brake, stop engine and set battery master switch(es) to the OFF position prior to working on the vehicle.

1. Close both heater line shut-off valves (item 1, figure 5).

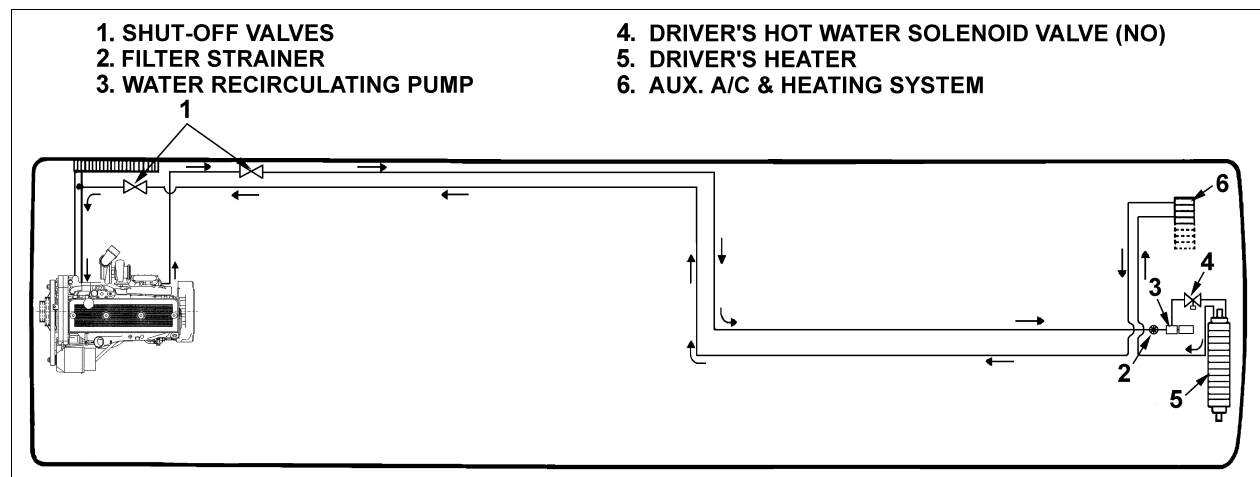


FIGURE 5

- Using locking pliers, pinch the 2 following hoses: filter strainer inlet hose and return line hose (refer to figure 6).

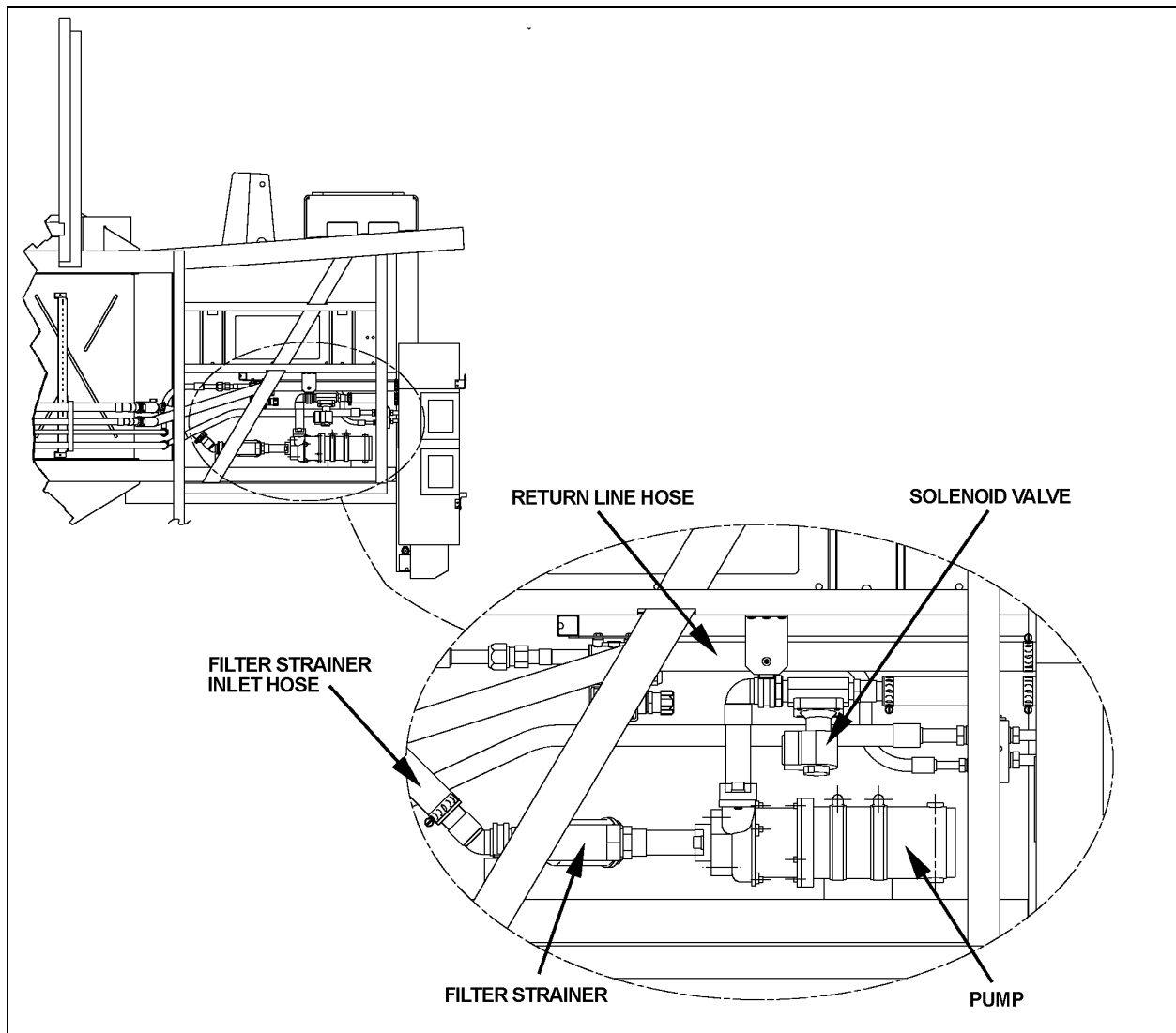


FIGURE 6

- Unfasten pump and hoses retaining clamps then remove pump assembly.

Note: You can also unbolt the pump outlet flange in order to split the pump assembly into 2 parts.

- Install the new pump assembly electrical connections. Feed the red and the black wires each through one of the 2 seals (561786) then crimp a contact pin (561568) onto each wire. Insert the 2 wires into the connector (561781) with the red wire in position "A" and the black wire in position "B". Insert the seal plug (561783) into the connector, in position "C" then close the connector cover.

Note: To facilitate the installation, you can split the pump assembly into 2 parts: pump-filter strainer and water solenoid valve.

- Install the 2 gaskets (870441) onto the inlet and outlet flanges then secure using washers (500478) and screws (5001580).

Note: Apply some gasket shellac (680527) onto the gaskets.

- Slightly move the solenoid valve support towards the rear of vehicle up to the last hole. Drill 2-9/64 inch holes using the support as a template (refer to figure 7).

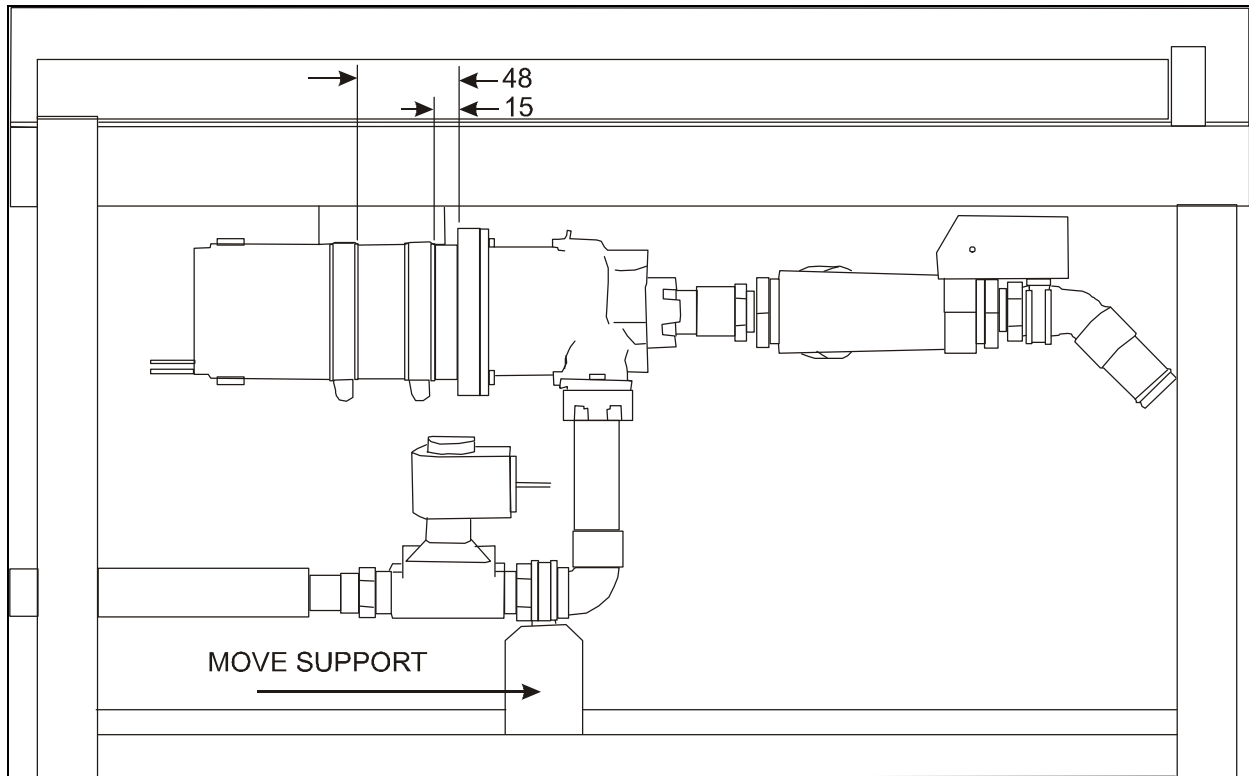


FIGURE 7

- Install new support (374054) onto the inlet line near the filter strainer without tightening the clamp (refer to figure 8).
- Cut the supplied rubber band (506728) in 2 parts of suitable length then position the pump rubber bands and retaining clamps (504235) (refer to figure 7).
- Install the retaining clamps (504235) onto the pump support then secure the new pump assembly making sure that the retaining clamps are centered on the rubber bands.
- Adjust the filter strainer support then fix it to the structure. Tighten the “Adel” hose clamp then reconnect the filter strainer inlet hose.
- Replace the solenoid valve outlet hose (373688) (refer to figure 8).

Note: If the pump assembly installation was performed in two steps, fix the pump outlet flange.

- Tighten the solenoid valve “Adel” hose clamp.
- Remove the 2 locking pliers from the hoses then open the heater line shut-off valves.
- Open the defroster manual vent, as soon as liquid starts to flow, close the manual vent and start the pump.

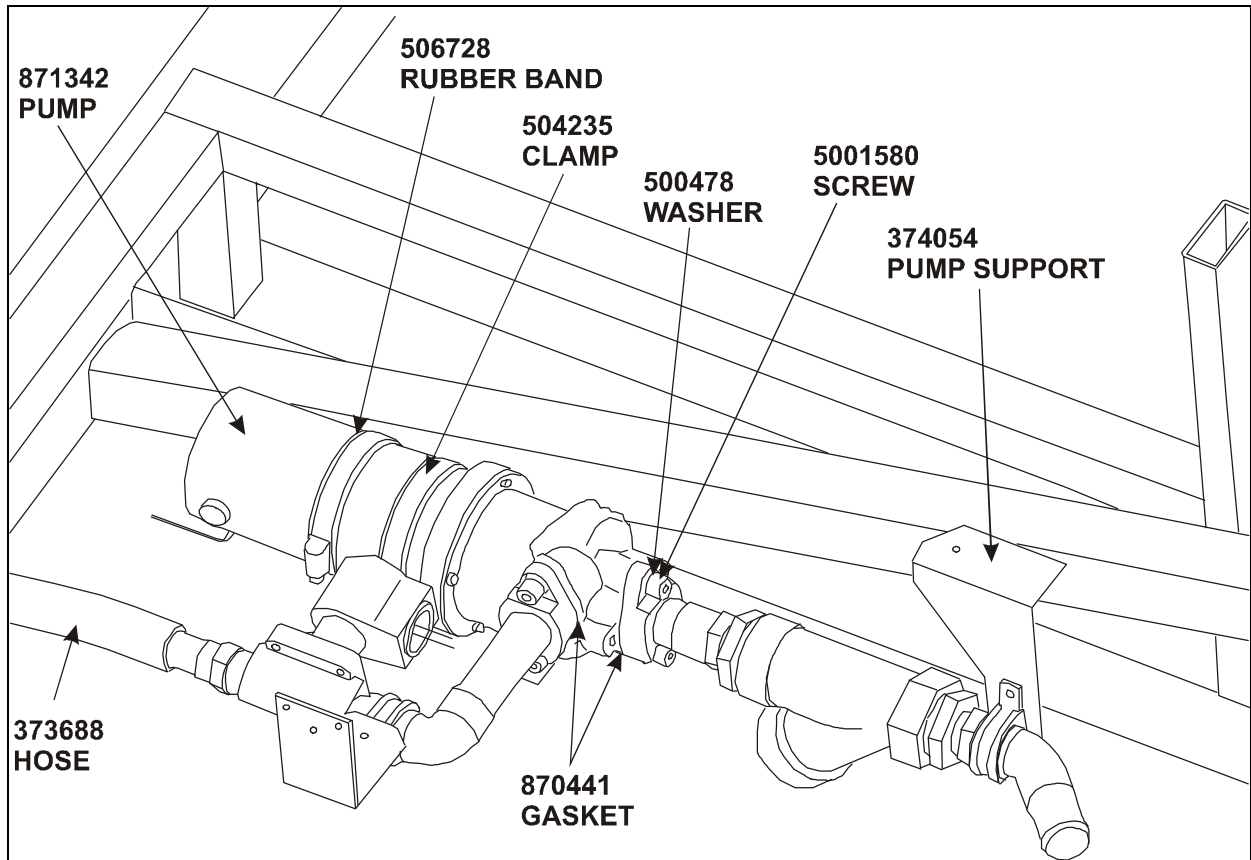


FIGURE 8