

PREVOST

Instruction Sheet

IS-03090

NEW ENTRANCE DOOR HANDLE AND MECHANISM – XLII MTH

MATERIAL

Kit #288556 includes the following parts:

Part No.	Description	Qty
288200	Rod	1
288201	Rod	1
288552	Trigger assembly	1
288814	Holding plate	1
288815	Gasket	1
780713	Handle assembly	1
IS-03090	Instruction Sheet	1
FI-03090	Feuille d'instructions	1

Order the following parts separately:

Part No.	Description	Qty
504541	Clip	2
504243	Clip	2

PROCEDURE

⚠ WARNING ⚠

Park vehicle safely, apply parking brake, stop engine and set battery master switch(es) to the OFF position prior to working on the vehicle.

1. Remove the trim panel on the door to gain access to the door opening mechanism.
2. Remove the two rods shown in figure 1.
3. Detach the interior lever rod as indicated in figure 1. Keep the rod and the clip for later use. Remove the trigger assembly (figure 1).
4. Remove the door handle.

- To permit installation of the new handle, cut the door panel as shown in figure 2.

NOTE

Clean the door surface around the opening. On the handle, clean the surface where the gasket will be applied.

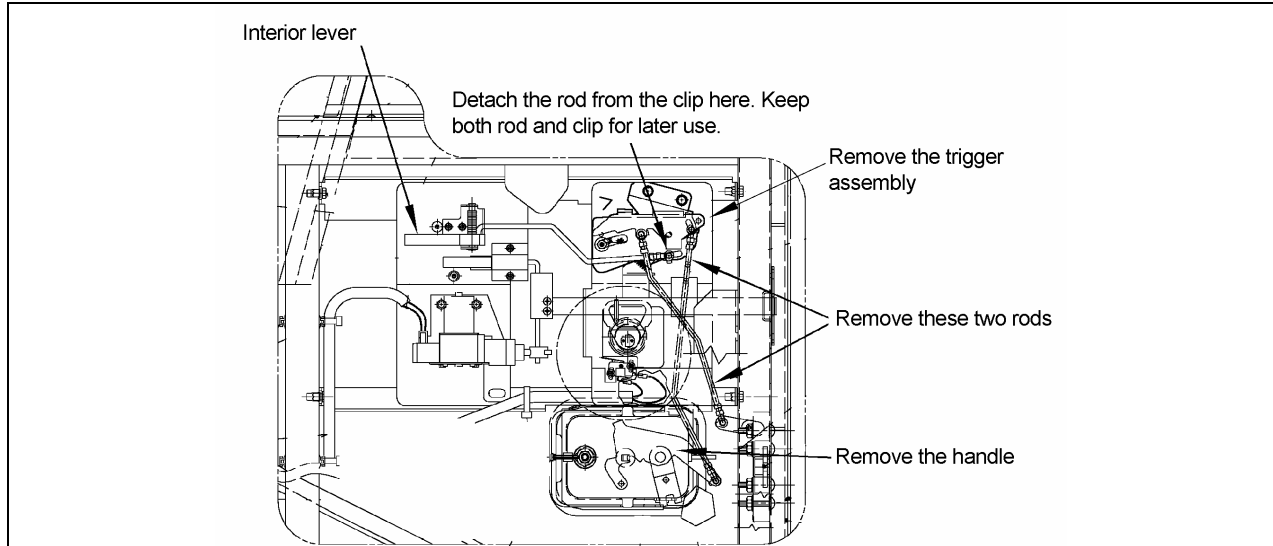


FIGURE 1: REF. STEPS 1 TO 4

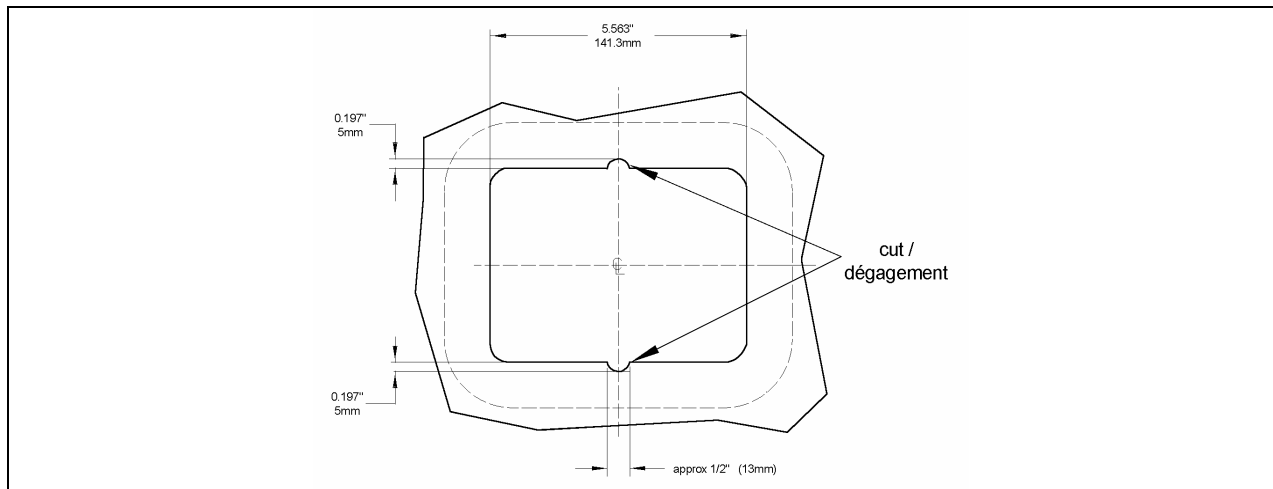


FIGURE 2: CUTTING THE DOOR PANEL, REF. STEP 5

- Apply the gasket on the handle shoulder. Assure the surface is clean before applying the gasket.
- Install the new handle. Fix in place using the holding plate #288814 on the interior side and the fixing parts shown in figure 3.
- Install the trigger assembly #288552.
- Reattach the interior lever rod to the trigger assembly (figure 3).
- Install rods #288200 & #288201 as shown in figure 3. Use clips #504541 & #504243. Be careful not to invert the clips.

REMARQUE

Adjustments are necessary to assure proper functioning of the mechanism.

- 1- With the lock (figure 3) released (door in open position), actuate the interior lever at full stroke, adjust the lever rod length so that there is no tension applied to rod #288201 (adjust the length by changing the bending angles).
- 2- Adjust rod #288201 length in a way that there is no loose on the exterior door handle.
- 3- With the door open, check for proper functioning of the mechanism. Using a tool, engage the lock and then actuate the exterior handle and check if the lock releases normally. **The lock must release at halfway of the handle.** Repeat this verification for the interior lever. If necessary, readjust by changing rod #288201 length.
- 4- Check for proper functioning with the door closed. Readjust if necessary.

11. Reinstall the door finishing.

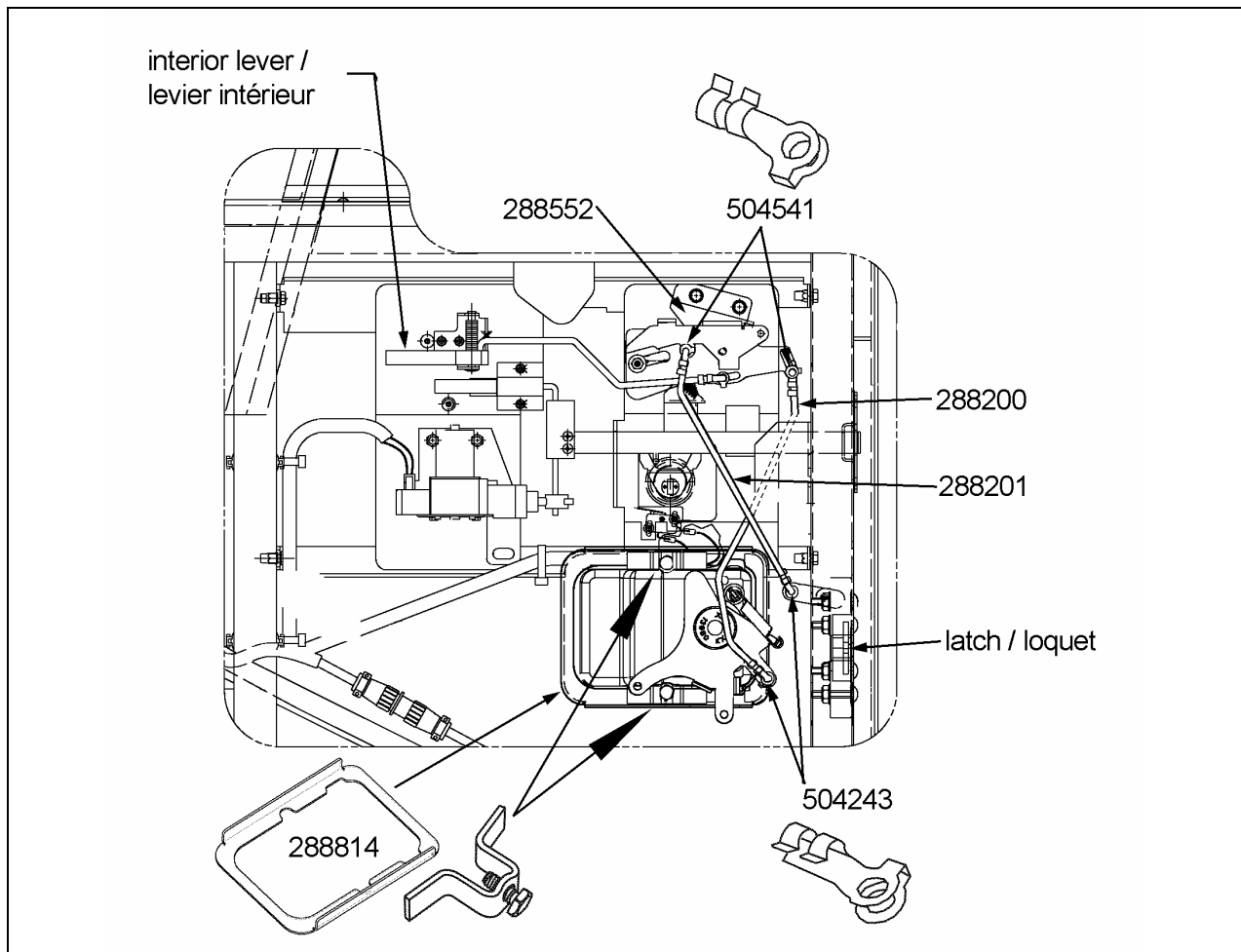


FIGURE 3: NEW INSTALLATION, REF. STEPS 7 TO 10