

PREVOST

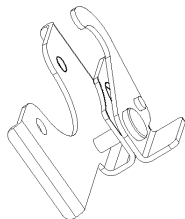
Instruction Sheet

IS-09900

INSTALLING A SAFETY CATCH ON X3-45 COACHES BAGGAGE COMPARTMENT DOOR OPENING MECHANISM

MATERIAL

Kit #287666 includes the following parts:

Part No.	Description	Identification	Qty
287671	Catch, Safety, Baggage Compartment Door		6
IS-09900	Instruction Sheet		1
FI-09900	Feuille d'instructions		1

PROCEDURE



DANGER

Park vehicle safely, apply parking brake, stop engine and set battery master switch(es) to the OFF position prior to working on the vehicle.

1. Open baggage compartment door.
2. Remove from baggage compartment door R.H. side holding hook as viewed from outside compartment, keep bolts and nuts aside.

NOTE

Only R.H. side holding hook must be removed.

3. Install baggage compartment door safety catch (refer to figure 1), fix using previously removed bolts and nuts.
4. Check operation of baggage compartment door safety catch.



WARNING

To avoid injury, keep hands clear of baggage compartment door edge and door frame when closing.

5. Repeat procedure for each baggage compartment door.

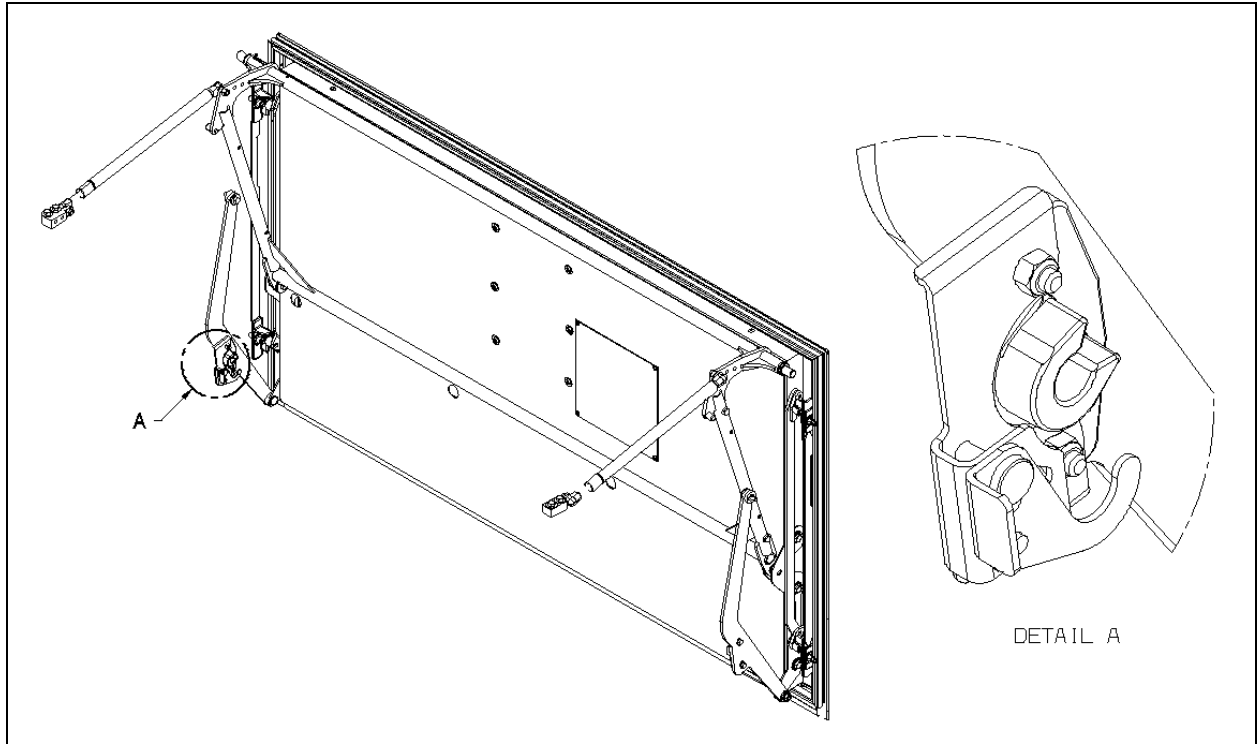


FIGURE 1 : SAFETY CATCH