

# PREVOST

## Instruction Sheet

## IS-11900A

### DASHBOARD MAINTENANCE CARD HOLDER INSTALLATION

**REVISION : A THIS WARRANTY BULLETIN SUPERSEDES PREVIOUS VERSION.**

Part 400119 added, part 406528 modified

### MATERIAL

Kit #409383 includes the following parts:

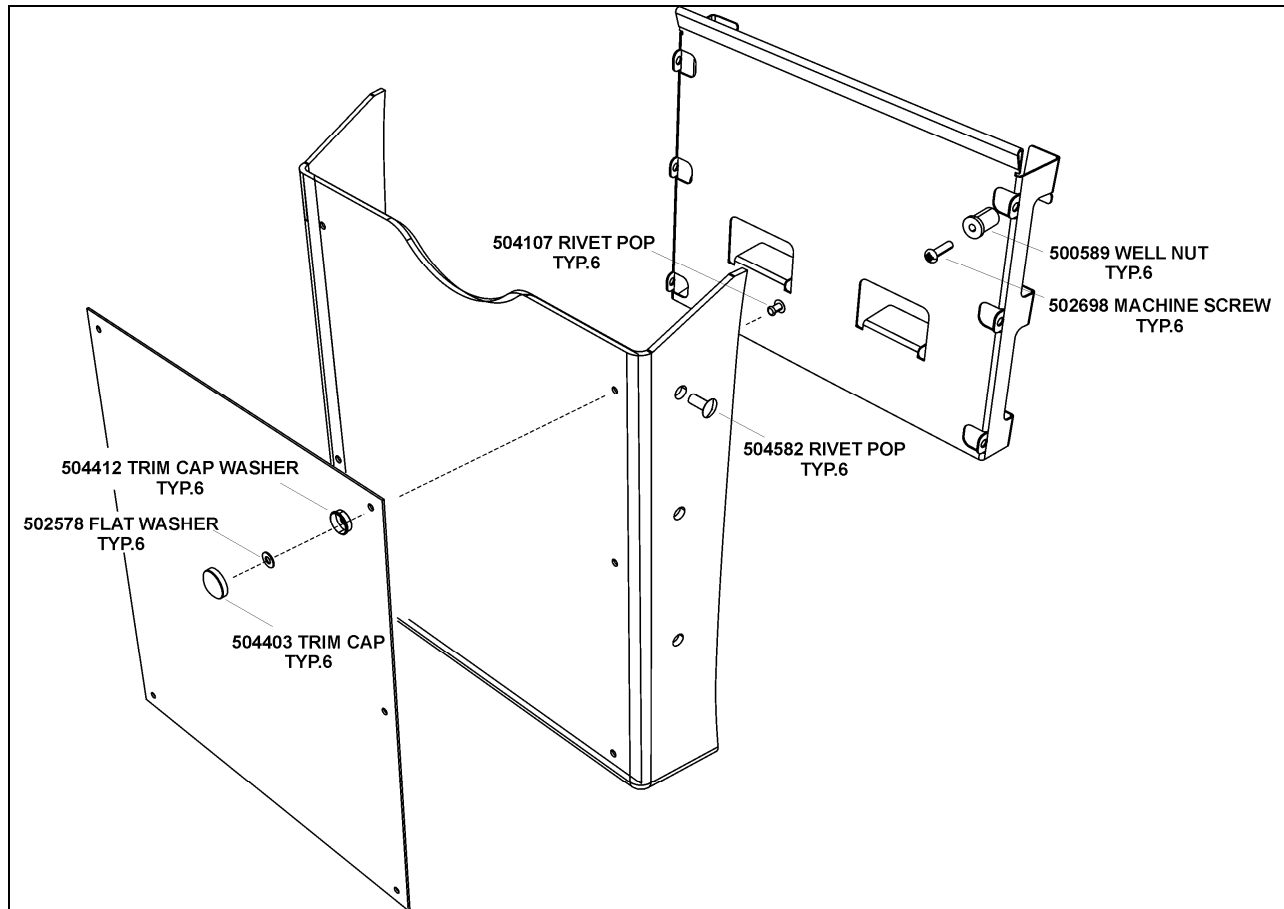
Part No.	Description	Qty
400119	PLATE WITH YELLOW LINE WARNING DECAL	1
406528	MOUNTING SUPPORT	1
409379	COVER, MAINTENANCE CARD HOLDER	1
500589	NUT, WELL M4-0.7X13.5	6
502578	WASHER, FLAT 3.2X7X0.5	6
502698	SCREW, MACHINE PAN HEAD PH SS NSS M4-0.7x16	6
504107	RIVET, POP DOME AL OE 1/16x5/16	6
504403	CAP TRIM, BLACK #8	6
504412	CAP TRIM WASHER #8	6
504582	RIVET, POP DOME STAINLESS STEEL OE BK 3/16x1/4	10
IS-11900A	Instruction Sheet	1
FI-11900A	Feuille d'instructions	1

### PROCEDURE



#### **DANGER**

Park vehicle safely, apply parking brake, stop engine and set battery master switch(es) to the OFF position prior to working on the vehicle.



1. Remove existing steel panel with warning decal. Hide the 2 upper visible holes on the dashboard panel with the included #406528 extra rivets.
2. Temporarily position #406528 mounting support at the appropriate location. Mark position of the 6 holes.
3. Drill 6 holes of 3/8" diameter (10 mm diameter).
4. Install mounting support using 6 well nuts #500589 and 6 machine screws #502698. Tighten screws until well nuts expand sufficiently to hold the support.
5. Install the warning decal and steel panel assembly centered on the maintenance card holder cover as shown. Use rivets #504107, trim cap washers #504412, flat washers #502578 and trim caps #504403.
6. Place the maintenance card holder cover on the mounting support and fix with 6 pop rivets #504582.

