

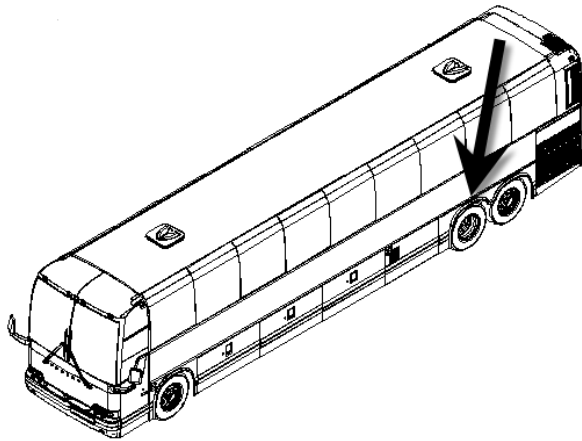
PREVOST

Instruction Sheet

IS-12047

Additional restraint for plastic shields over drive axle wheels.

Use this kit to secure the shields to the bus structure.



MATERIAL

Kit #3200407 includes the following parts:

Part No.	Description	Qty
3200439	Support angle	4
5001228	Flat Washer, Nylon.189x1x.064	34
500596	Screw, tapping #12x2	34
IS-12047	Instruction Sheet	1
FI-12047	Feuille d'instructions	1

NOTE

Order one kit per shield.

Material can be obtained through regular channels.

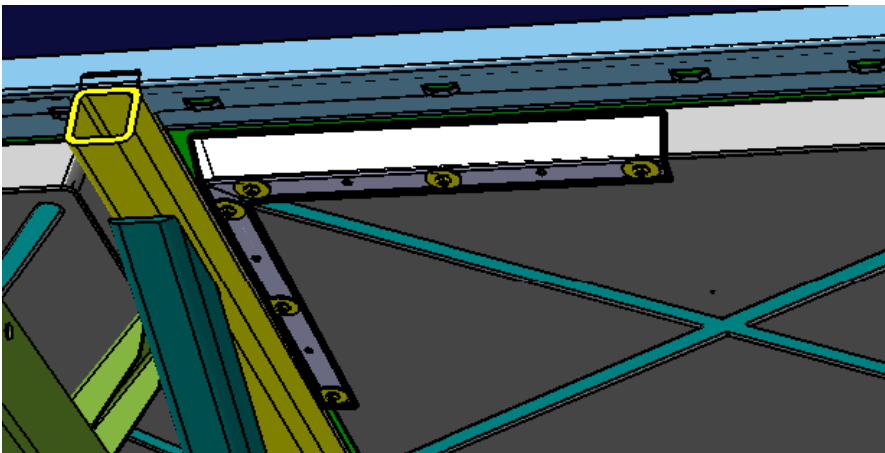
PROCEDURE



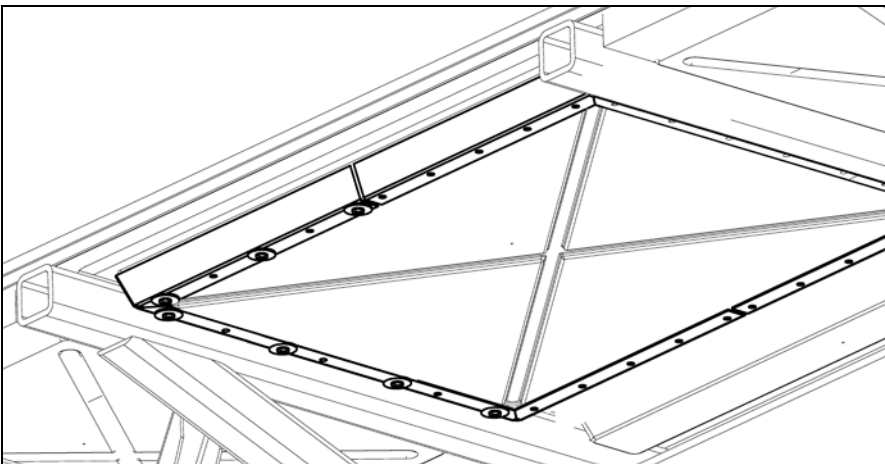
DANGER

Park vehicle safely, apply parking brake, stop engine and set battery master switch(es) to the OFF position prior to working on the vehicle.

1. Lift the vehicle.
2. Lift the hinged rear fenders and remove the drive axle wheels.
3. Locate the plastic shields over the drive axle wheel. Angles will be installed over the plastic shields as shown below.
4. Measure and cut to length the transversal repair angle. This kit fits on all types of shields.
5. Use the provided tapping screws and washers to secure the angles.



6. Install all four corners to fully secure the shield.



7. Install the drive axle wheels.
8. Close the hinged rear fenders and lower the vehicle.

PARTS / WASTE DISPOSAL

Discard waste according to applicable environmental regulations (Municipal/State[Prov.]/ Federal)