

# PREVOST

## **Instruction Sheet**

**IS-94079**

### **REPLACEMENT OF A SONY BACK-UP MONITOR WITH A CLARION BACK-UP MONITOR**

**ON H3 SERIES COACHES: ..... page 2**

**ON XL SERIES COACHES: ..... page 6**

## REPLACEMENT OF A SONY BACK-UP MONITOR WITH A CLARION BACK-UP MONITOR ON H3 SERIES COACHES

### MATERIAL

Kit #06-3945 includes the following parts.

Part no	Description	Qty
990226	Clarion Monitor (12 V) <sup>6413</sup>	1
391228	Parcel Tray	1
-----	Adhesive Tape	1
063804	Jumper Assy	1
063805	Wiring Harness	1
↘063806	Coaxial Cable <sup>4412</sup>	1
562083	Coupling	1
D060783	Wiring Diagram page 24 2/2	1
IS94079	Instruction Sheet	1
FI94079	Feuille d'instructions	1

### PROCEDURE

**Warning:** Park vehicle safely, apply parking brake, stop engine and set battery master switches to the "OFF" position prior to working on the vehicle.

1. Open front service compartment door then alarm junction box.
2. Locate 12 to 5 volt converter located inside alarm junction box, disconnect connector C-249 from converter, remove and discard converter then connect jumper assy #063804 to connector C-249.
3. Close alarm junction box then front service compartment door.
4. From inside vehicle, remove the two screws (one on each side) securing dashboard upper cover then lift and remove cover.
5. Remove Sony Back-up Monitor, brightness and contrast control knobs from R.H. dashboard.
6. Connect coaxial cable #063806 to camera coaxial cable (previously connected to Sony monitor) using coupling #562083.
7. Route coaxial cable from R.H. dashboard to L.H. dashboard corner following existing harnesses.
8. Remove the two screws mounted between driver's window and L.H. dashboard (see figure 1 for screw location), position the Clarion monitor mounting bracket over existing holes then fix bracket to dashboard using both existing screws. Refer to figure 2 to determine the position of mounting bracket holes to be used.

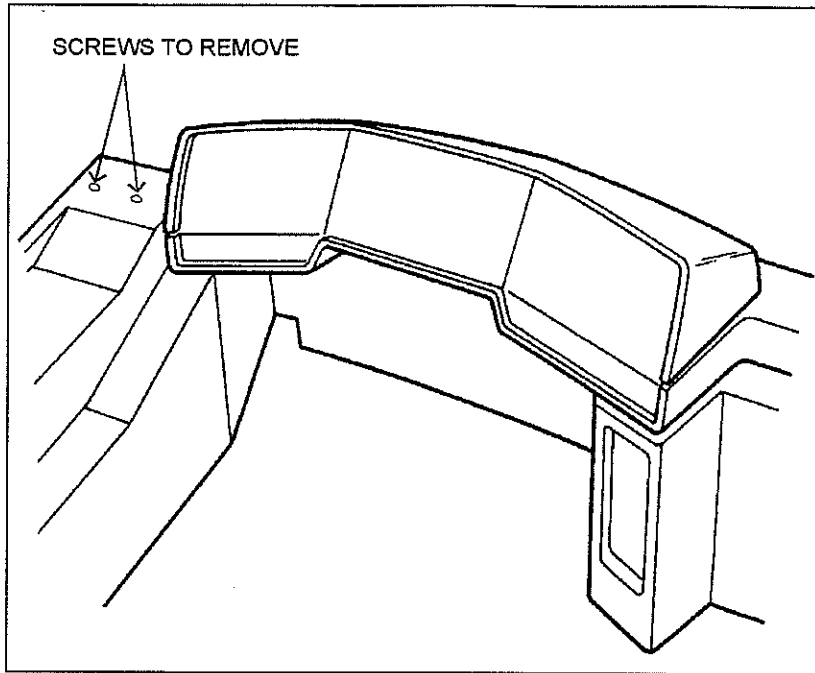


FIGURE 1

06177

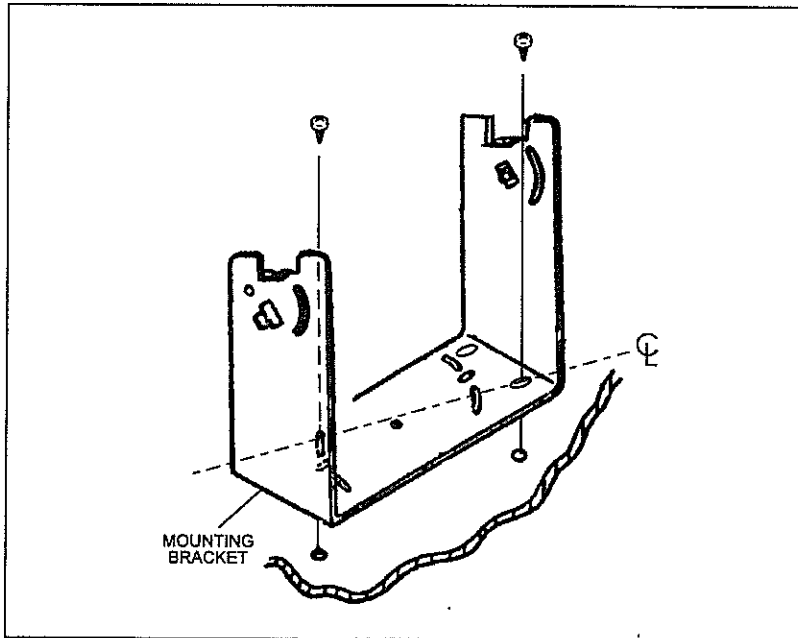


FIGURE 2

06178

9. Connect coaxial cable (previously routed) to Clarion monitor.
10. Connect new wiring harness #063805 to monitor.
11. Install monitor on its mounting bracket according to instructions provided with monitor.
12. Connect both wires and connector C-360 of wiring harness #063805 as illustrated in figure 3.

**Note:** Wiring diagram D060783 page 24 2/2 also indicates connection.

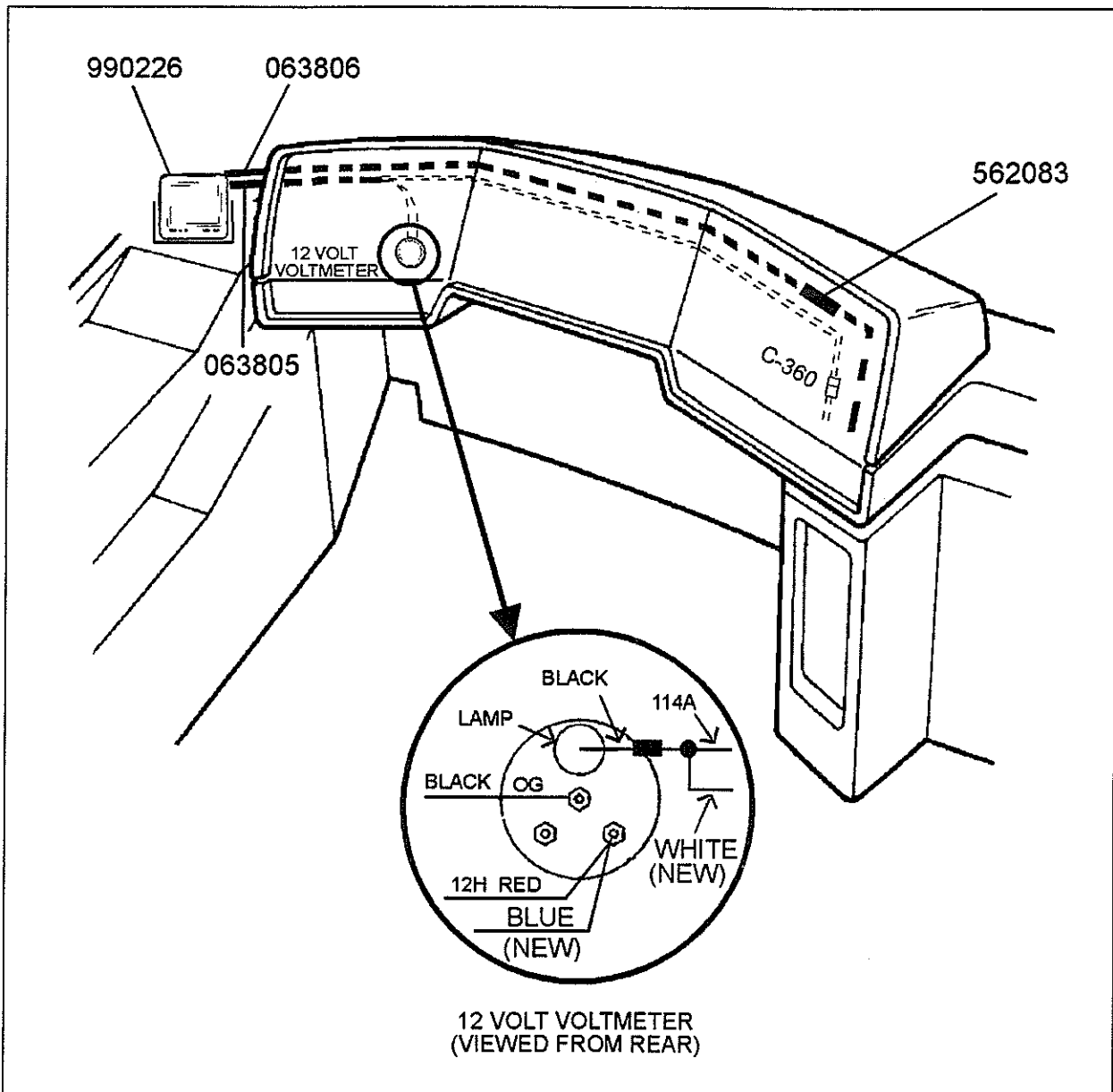


FIGURE 3

06179

13. Apply adhesive tape at back of parcel tray #391228 then install parcel tray at monitor's previous location.
14. Cut a small opening (half moon) at bottom of dashboard upper cover (see fig. 4) then reinstall upper cover.

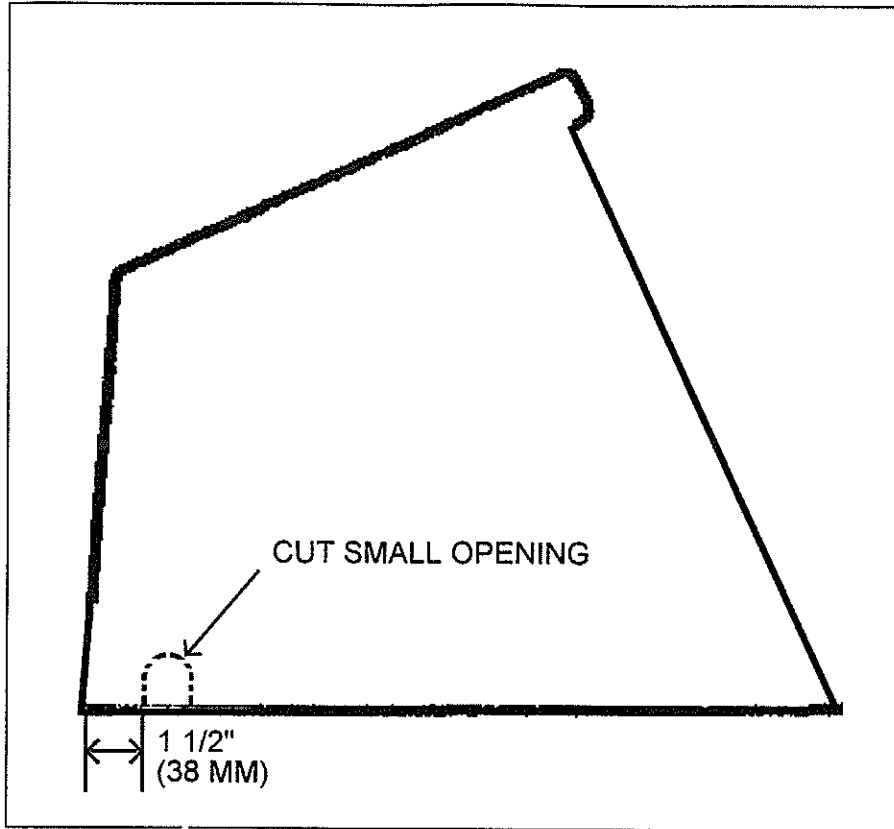


FIGURE 4 - L.H. SIDE OF DASHBOARD UPPER COVER

06180

## REPLACEMENT OF A SONY BACK-UP MONITOR WITH A CLARION BACK-UP MONITOR ON XL SERIES COACHES

### MATERIAL

Kit #06-3946 includes the following parts.

Item (Fig. 2,3)	Part no	Description	Qty
1	490811	Spacer	1
2	-----	Double coated foam tape	1
3	321631	Moulded plastic trim	1
4	500659	Screw #10-32 x 1"	3
5	504399	Flat washer base (#10)	3
6	504400	Snap cap (#10)	3
7	490808	Mounting bracket	1
8	5001000	Screw SS #8-32 x 5/8"	2
9	504412	Flat washer base (#8)	2
10	504403	Snap cap (#8)	2
11	500670	Hex. nut #8-32	2
12	500438	Flat washer	2
	990226	Clarion Monitor (12 V)	1
	063940	Coaxial Cable	1
	063941	Wiring Harness	1
	063942	Jumper Assy	1
	404071	Sun visor rod	1
	D060758	Wiring Diagram page 26 2/2	1
	IS94079	Instruction Sheet	1
	FI94079	Feuille d'instructions	1

### PROCEDURE

**Warning:** Park vehicle safely, apply parking brake, stop engine and set battery master switches to the "OFF" position prior to working on the vehicle.

1. Unscrew the two latches retaining the driver's heater access panel then remove panel.
2. Locate 12 to 5 volt converter located close to the driver's heater unit, disconnect connector C-249 from converter, remove and discard converter then connect jumper assy #063942 to connector C-249.
3. Trace wires of connector C-249 up to wiring harness #063437, locate the 2 pin connector and RCA plug on this harness, then disconnect them.
4. Disconnect from Sony monitor, the opposite end of wiring harness #063437 then remove Sony monitor and its mounting bracket.
5. Remove and discard L.H. post's moulded plastic trim; remove and discard wiring harness #063437 then replace with both cable #063940 plus the black and orange wires of wiring harness #063941 (see fig. 1). Fasten cable and wires at different locations using cable ties (not included in kit).

**Caution:** Be sure wires and cable will not interfere with moving parts.

6. Connect coaxial cable #063940 to camera coaxial cable located close to the driver's heater unit.
7. Connect black and orange wires provided with a two pin connector to the previously disconnected two pin connector located close to the driver's heater unit.
8. Reinstall driver's heater access panel.
9. Identify the blue and white wires in new wiring harness #063941 then route them inside front electric compartment using the grommet fixed on the left wall under the dashboard.
10. Connect blue wire to post #116 and white wire to post #106

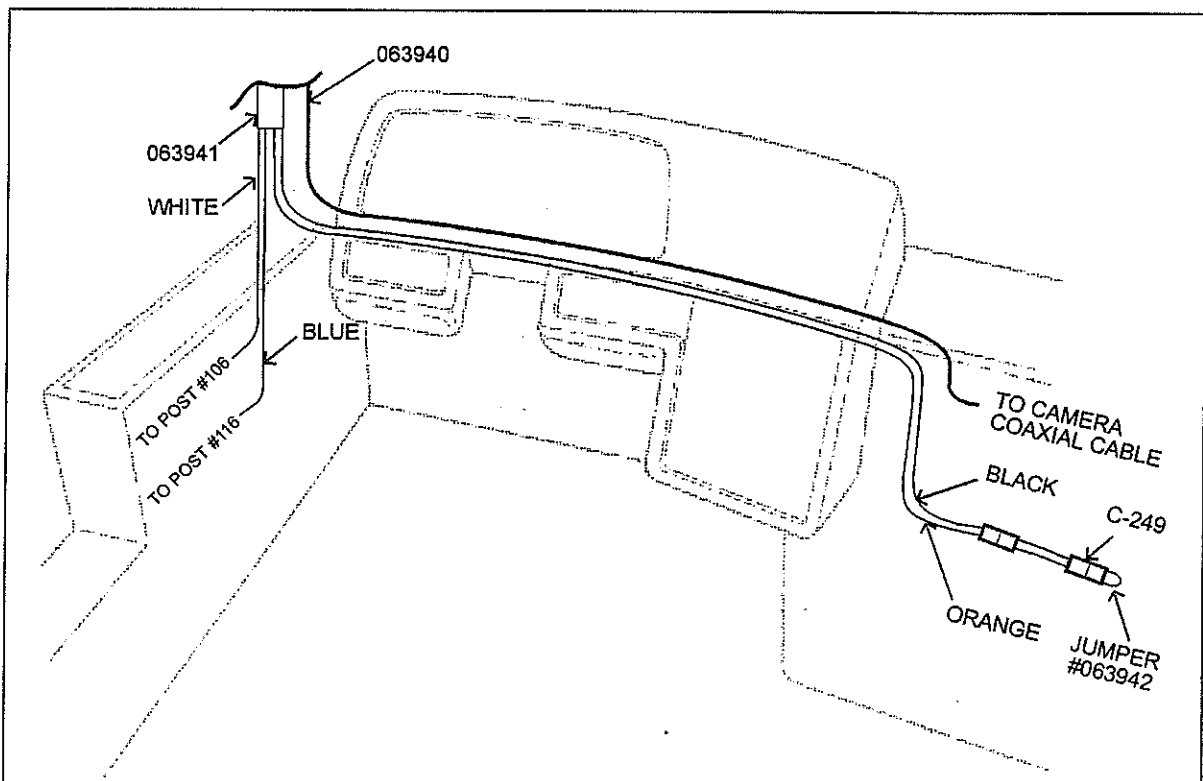


FIGURE 1

18010M

- 
11. Peel off one protective paper from double coated foam tape (2), then affix tape on spacer (1).
  12. Peel off the second protective paper then affix tape (with spacer) on inner face of new moulded plastic trim (3) as shown in figure 2.

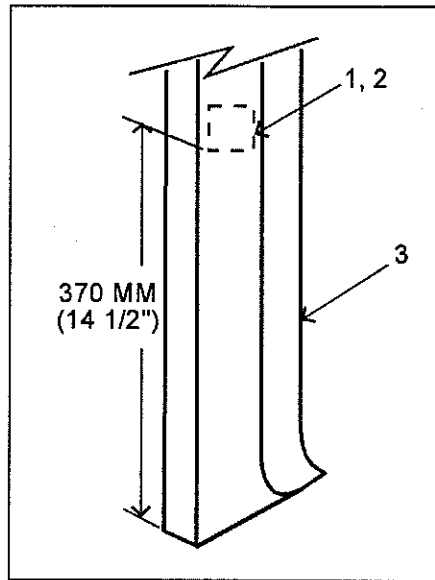


FIGURE 2

13. Cut an opening (half moon) on side of new moulded plastic trim as shown in figure 3. Cut opening large enough to allow harness and cable to be routed between trim and post.
14. Install new plastic trim (route harness and cable behind) then secure with existing fasteners.
15. Replace existing sun visor rod with new one (shorter) using existing fasteners.
16. Position mounting bracket (7) on plastic trim's outer face (3) at the same height as spacer (1) has been installed previously, then mark position of the 3 holes to be drilled.
17. Drill three holes using a 9/64" diameter bit.
18. Fix mounting bracket (7) to post using 10-32 x 1" screws (4) and flat washer bases (5). Install snap caps (6).
19. Install mounting bracket (provided with monitor) on mounting bracket (7) using 8-32 x 5/8" screws (8), flat washer bases (9), flat washers (12) and nuts (11). Install snap caps (10).
20. Connect coaxial cable #063940 and wiring harness #063941 to Clarion monitor.
21. Install Clarion monitor on its mounting support according to instructions provided with monitor.



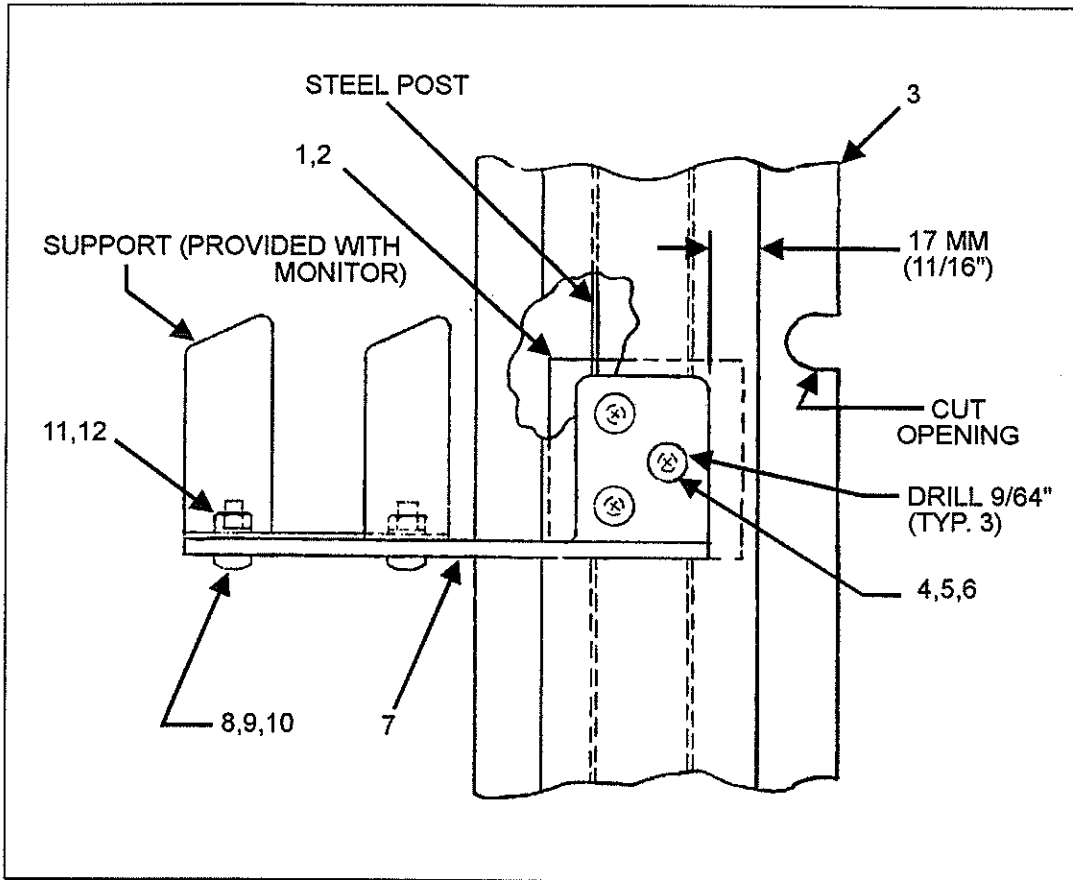


FIGURE 3