

PREVOST

Instruction Sheet

IS-95091A

SUMP TANK INSTALLATION GUIDE

Revision A :

CUTTING OF ANGLE IRON NECESSARY FOR INSTALLATION

MATERIAL

Kit #404405P includes the following parts.

Part No.	Description	Qty
404405P	Sump tank assembly C/W:	1
	Part No	Qty
	504319	2
	504020	4
	503532	2
	404406	2
	404427	1
	402618	1
	IS-95091	1
	FI-95091	1
	Description	
	Clamp (pump/sink)	
	Clamp (hose)	
	Clamp (drain pipe)	
	Spacer (H3-40 only)	
	Hose (engine/tank)	
	Hose (compressor/tank)	
	Instruction Sheet	
	Feuille d'instructions	

PROCEDURE

(*)= Only on H3-41,H3-45 and H3-40 vehicle series with preheating system.

Warning: Park vehicle safely, apply parking brake, stop engine and set battery master switch(es) to the OFF position prior to working on the vehicle.

- * Never remove fill cap while coolant is hot. A sudden release of pressure from a heated cooling system can result in severe burns from the expulsion of hot coolant.
- * When coolant is at ambient temperature, release pressure from system by turning the pressure cap (located in the rear engine compartment next to surge tank) counterclockwise ¼ turn.

1. Open R.H. engine compartment door.
2. Locate sump tank in the lower position of the engine compartment.
3. Drain sump tank (see operator's manual).
4. *Close (red) valve next to pneumatic system compressor (Fig.1).

-
5. *Drain engine system (see maintenance manual Section 05 "cooling") until the coolant level is low enough to avoid splashing when hoses will be removed.
 6. *Remove compressor-tank and engine-tank hoses.
 7. Disconnect the washbasin drain tube and pump hose. Washbasin drain tube is located next to sump tank drain pipe. Also disconnect the electric wires located on R.H. side of sump tank.
 8. Remove the visible part of the sump tank drain pipe (Fig. 2) by taking off the two clamps.
 9. Remove all bolts around the sump tank.
 10. Remove existing sump tank.
 11. Remove the right rear mud flap.
 12. Using a cutting torch, cut out (if necessary) the horizontal portion of the angle iron inhibiting the installation of the new sump tank (Fig. 3).
 13. Install the new sump tank. This operation must be done from underneath the vehicle. Remove pump from existing sump tank.

Note: For H3-40 vehicles, spacers (Prévost #404406) must be installed on the rear side of sump tank (Fig. 2).

14. Secure sump tank with existing bolts (Qty. 6) and reinstall existing pump with existing bolts (Qty. 8).
15. Connect pump hose with clamp (Prévost #504319) and the electric wires.
16. *Install new compressor-tank (Prévost #402618) and engine-tank (Prévost #404427) hoses.

Note: If hoses are too long, cut them to proper length. Hose lengths varies for each vehicle series.

17. Cut off sump tank drain pipe. The length is different for each vehicle series.
18. Install sump tank drain pipe and the sink drain tube. Secure them with clamps (Prévost #503532 and #504319).
19. *Open (red) valve next to pneumatic system compressor (Fig.1).
20. *Add engine coolant as per H series maintenance manual (Section 05: "COOLING").

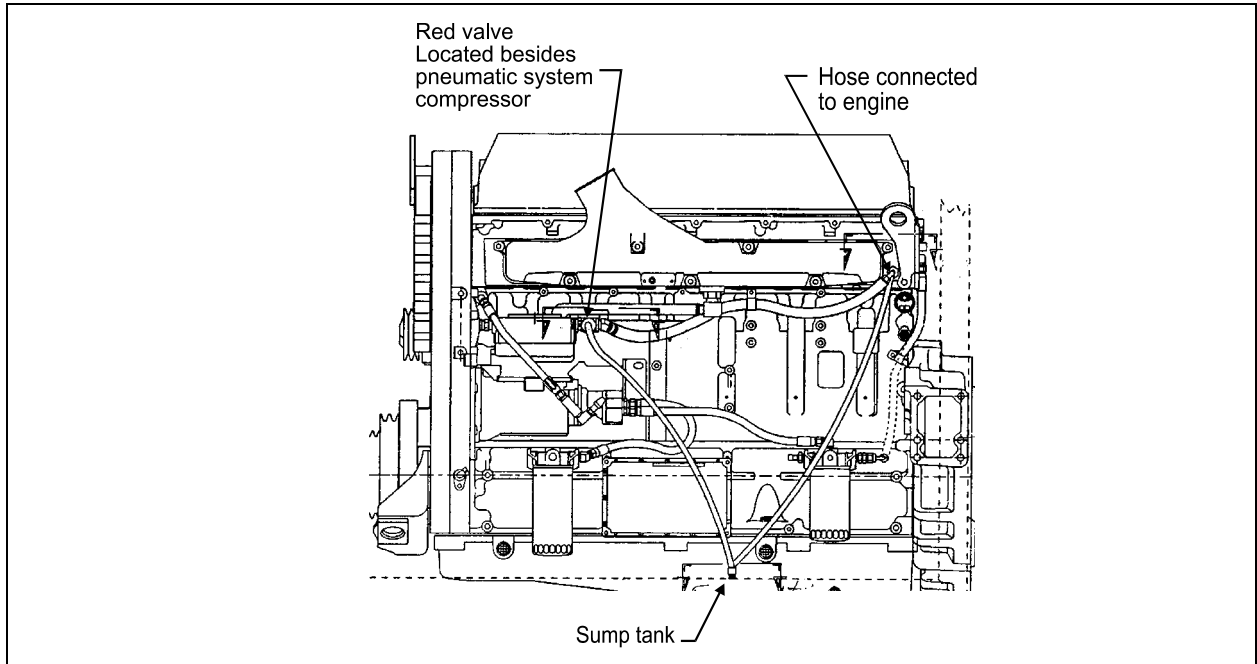


FIGURE 1: ENGINE-COMPRESSOR SIDE

05051

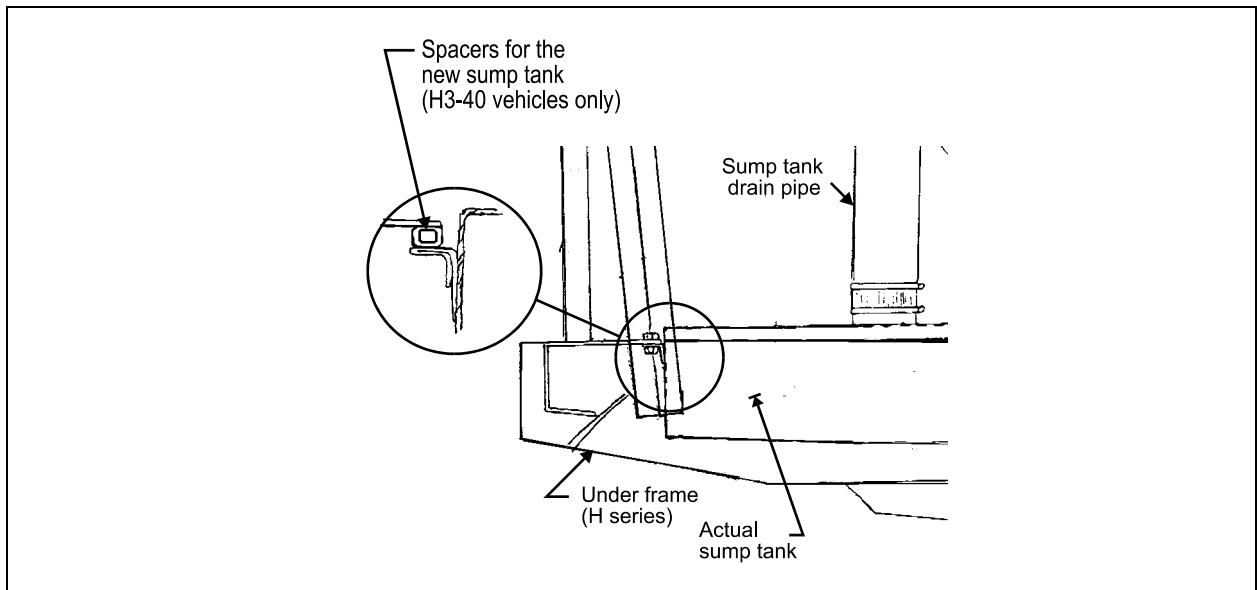


FIGURE 2: R.H. SIDE ENGINE COMPARTMENT

23093

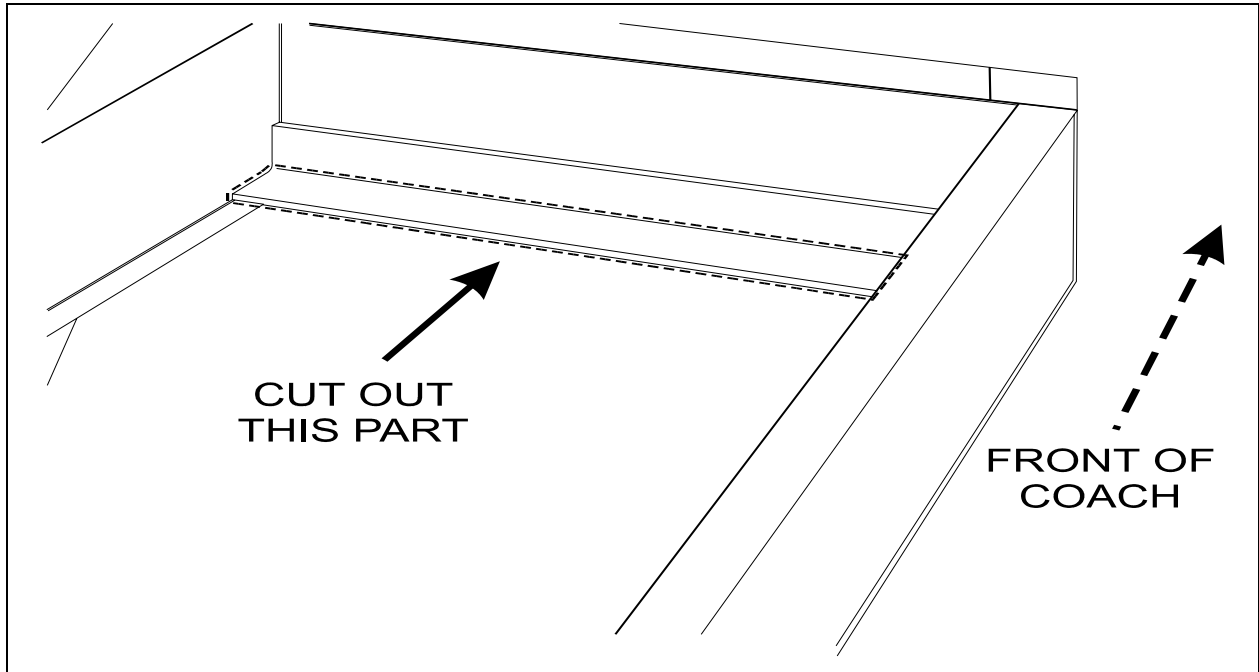


FIGURE 3: RIGHT HAND SIDE ENGINE COMPARTMENT, LOCATION OF SUMP TANK

23240A