

# PREVOST

## Instruction Sheet

## IS-99152

### INSTALLATION OF A 24V HORN

#### MATERIAL

Kit #065313 includes the following parts :

Part No.	Description	Qty
500958	Washer, flat, SS, 0.531 x 1.062 x 0.095	1
5011215	Washer, flat, ZP, 0.328 x 0.875 x 0.062	1
5011216	Washer, flat, ZP, 0.344 x 1.250 x 0.065	1
560085	Terminal	2
563028	Horn, 24V, low frequency	1
IS-99152	Instruction Sheet	1
FI-99152	Feuille d'instructions	1

Kit #065314 includes the following parts :

Part No.	Description	Qty
500958	Washer, flat, SS, 0.531 x 1.062 x 0.095	1
5011215	Washer, flat, ZP, 0.328 x 0.875 x 0.062	1
5011216	Washer, flat, ZP, 0.344 x 1.250 x 0.065	1
560085	Terminal	2
563029	Horn, 24V, high frequency	1
IS-99152	Instruction Sheet	1
FI-99152	Feuille d'instructions	1

#### PROCEDURE

**Warning :** Park vehicle safely, apply parking brake, stop engine and set battery master switch(es) to the OFF position prior to working on the vehicle.

1. Locate the electric horns, housed in an open plastic casing accessible from below the vehicle;
2. Dismantle the defective horn;
3. Follow steps 1 to 3 on figure 1.

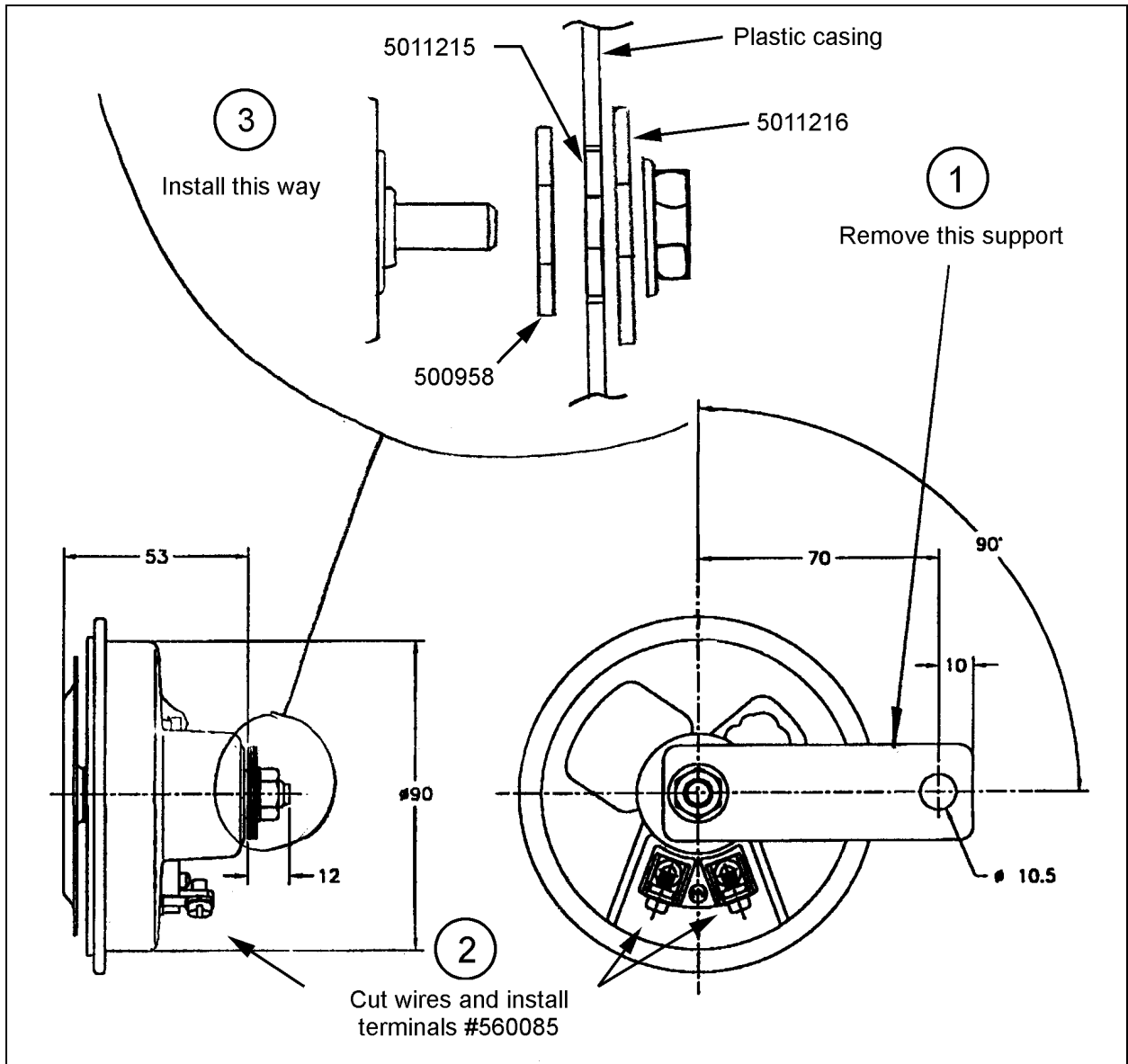


FIGURE 1: INSTALLATION OF 24V HORN

23289