

**PREVOST**

ENREGISTRÉ - REGISTERED  
ISO 9001 & ISO 14001

# MAINTENANCE INFORMATION

Mi03-12



DATE : September 2003	SECTION : 16 - Suspension
SUBJECT : NEW 1¾ INCH SWAY BAR	

**Important Notice:** This modification is recommended by Prévost Car to increase your vehicle's performance. Note that no reimbursement will be awarded for carrying out this modification.

## APPLICATION

Model	VIN
H3-41, H3-45 Coaches Model Year : 1994 - 2004	From 2P9H33495R1001012 up to 2PCH3349041014768 incl.

## DESCRIPTION

On the above-mentioned vehicles, riding comfort and stability may be improved by replacing the 1½ inch rear sway bar with a 1¾ inch.

## MATERIAL

Part No	Description	Qty
131276	Sway Bar, 1¾ inch	1
630020	Bushing, Rubber	4

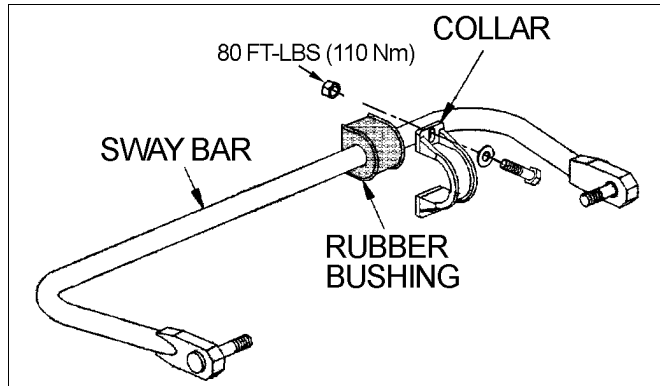
**Note:** Material can be obtained through regular channels.

## PROCEDURE

**Warning:** Park vehicle safely, apply parking brake, stop engine and set battery master switch(es) to the OFF position prior to working on the vehicle.

### SWAY BAR REMOVAL

1. Disconnect the two links from rear sway bar.
2. Safely support the sway bar. Unbolt the four rubber bushing collars from sub-frame.
3. Remove sway bar.



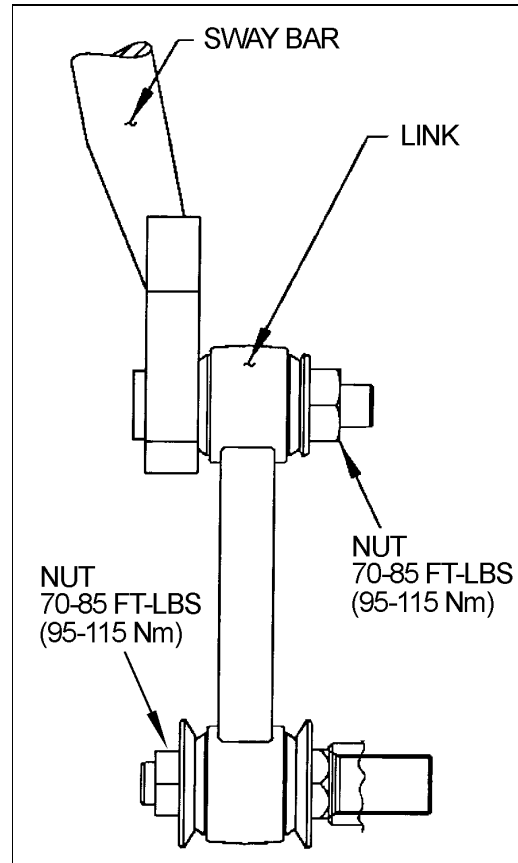
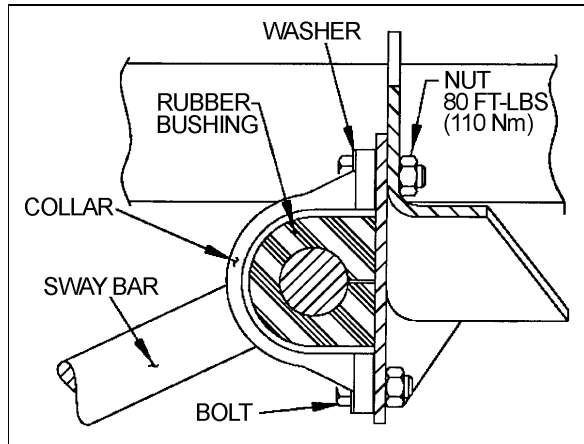
**Note:** Sway bar bushings are slotted to ease their removal.

### INSTALLATION

1. Loosely install the 1¾ inch sway bar (131276).
2. Install rubber bushings (630020) with collars and torque the eight bushing collar nuts to 80 Ft-lbs (110 Nm).

**Caution:** Make sure that torque is only applied onto nuts and that the nuts are not located on collar side.

3. Tighten sway bar link upper and lower nuts to 70 - 85 Ft-lbs (95 - 115 Nm).



### Waste disposal:

Discard according to applicable environmental regulations (Municipal/State[Prov.]/ Federal)