

PREVOST

MAINTENANCE INFORMATION

Mi97-17



DATE: December 1997	SECTION: 05
SUBJECT: RADIATOR AND AIR COOLER MODIFICATION	

APPLICATION:

Model	VIN
H3-41 and H3-45 Coaches equipped with Series 60 Engine Model Year: 1993 - 1997	 From 2P9H33405P1001316 up to 2PCH33496V1011794 incl.
XL Series Coaches equipped with Series 60 Engine Model Year: 1994 - 1997	 From 2P9L33409R1001820 up to 2PCL33495V1026202 incl.

DESCRIPTION

On the above-mentioned vehicles, radiator and air cooler assembly durability has been improved. If radiator is not defective, a diagonal stiffening rod may be inserted between air cooler and radiator so as to improve existing radiator durability. During repair or overhaul a second diagonal stiffening rod may also be added to radiator air outlet side for the same purpose.

MATERIAL

Part No.	Description	Qty
550751	Rod, Stiffening (air inlet side)	1
550752	Rod, Stiffening (air outlet side)	1

Note: Material can be obtained through regular channels.

PROCEDURE

Warning: Park vehicle safely, apply parking brake, stop engine and set battery master switch(es) to the OFF position prior to working on the vehicle.

PART A

1. Open radiator compartment door (refer to fig. 1).

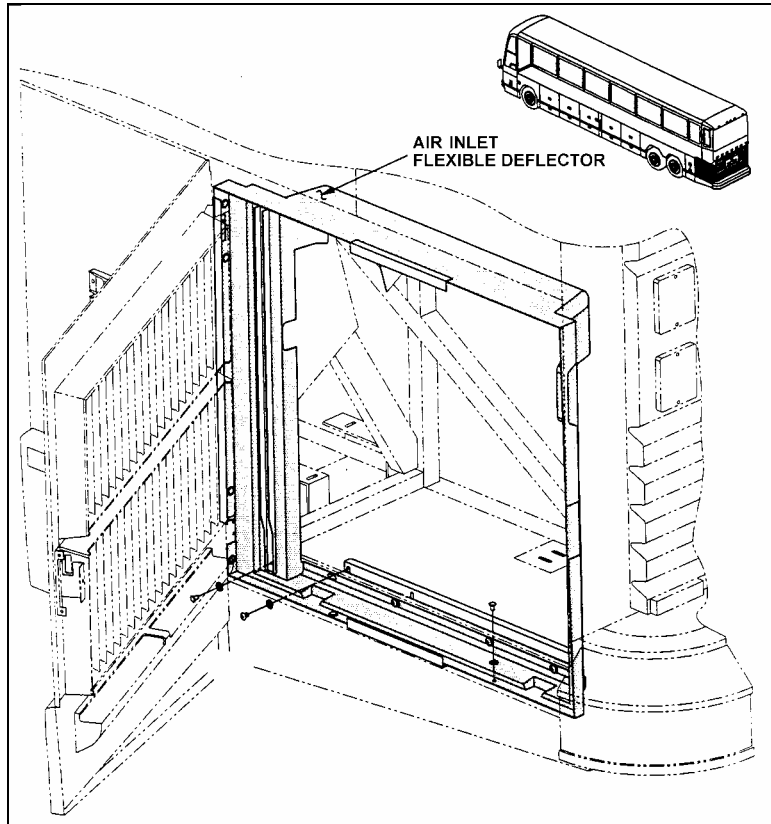


FIGURE 1: RADIATOR COMPARTMENT (H3 Series)

H3-41 and H3-45 Coaches: Untie strap and withdraw the four bolts in order to remove door and facilitate access to radiator.

XL Series Coaches: Remove bolt from door retainer rod then fully open door.

2. Remove screws, rivets and bolts securing air inlet flexible deflector. Take the flexible deflector out and put fuel cooler aside (refer to fig. 2).

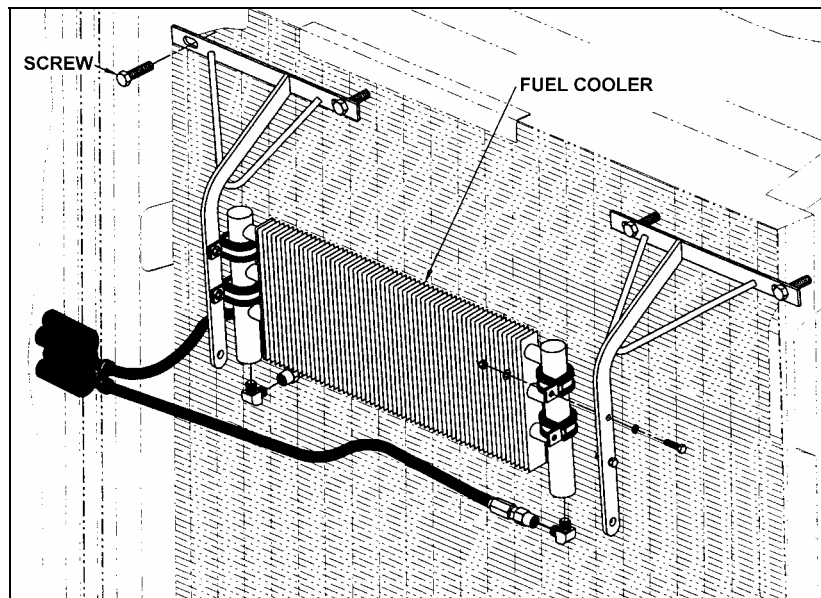


FIGURE 2: FUEL COOLER

3. Loosen top air cooler clamp and cut tie wraps securing antifreeze overflow hose (refer to fig. 3).

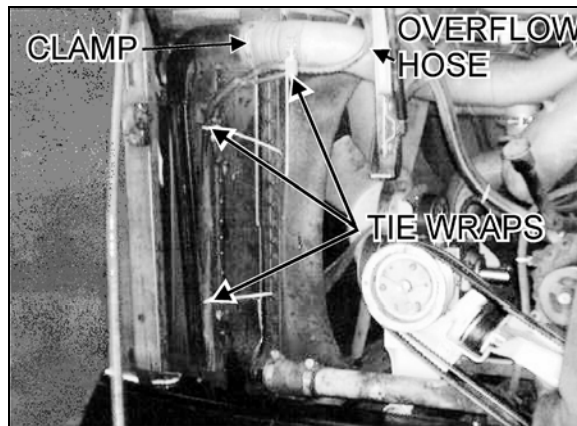


FIGURE 3: OVERFLOW HOSE

05009

4. Unscrew bolts fastening air cooler to radiator.
5. Separate air cooler from radiator in order to insert stiffening rod (Prévost #550751) between air cooler and radiator (refer to fig. 4).

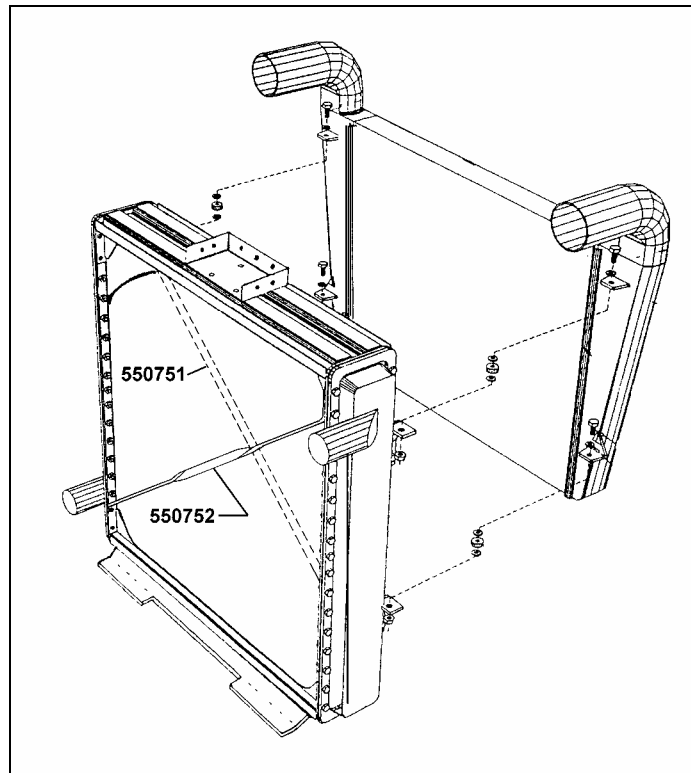


FIGURE 4: STIFFENING RODS

Note: Remove pressure from system if coolant leaks are present.

6. Unscrew four bolts which will be used to fasten stiffening rod (air inlet side). Use new bolts if existing bolts are too short.
7. Insert stiffening rod and secure using four bolts, torque to 15 lbf•ft (20 N•m).
8. Reinstall two bolts fastening air cooler to radiator, add two jam nuts.
9. Retighten top air cooler clamp (refer to fig. 5).

PART B

1. Remove the four top and bottom screws securing fan shroud (refer to fig. 5).

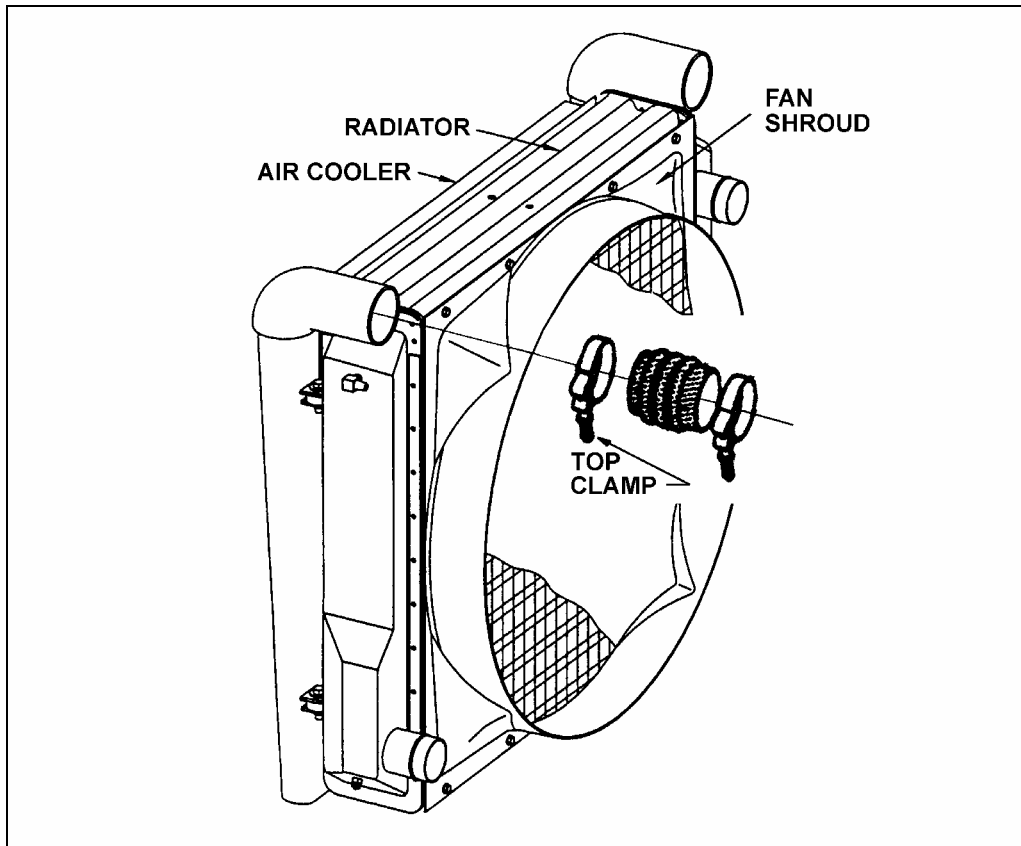


FIGURE 5: FAN SHROUD

2. Separate fan shroud from radiator.
3. Unfasten from radiator the four bolts which will be used to secure stiffening rod (Prévoist #550752).
Note: Install both stiffening rods in a criss-cross pattern (refer to fig. 4).
4. Insert stiffening rod so that the center is away from fan clutch and secure using the four bolts, torque to 15 lbf•ft (20 N•m).
5. Retighten the four top and bottom screws securing fan shroud.
6. Secure antifreeze liquid overflow hose using tie wraps.
7. Reinstall air cooler flexible deflector properly.
8. Fasten fuel cooler using four screws.
9. Secure flexible deflector at bottom using retainer bar and four screws then secure perimeter using self-tapping screws.

H3-41 and H3-45 Coaches: Rivet door retainer strap, install door and secure using four bolts. Insert retainer strap into plate and close the door.

XL Series Coaches: Tighten door retainer rod and close the door.