

PREVOST


MAINTENANCE INFORMATION

Mi98-28



DATE : September 1998	SECTION : 22
SUBJECT : CONDENSER COMPARTMENT CLEANING	

APPLICATION

Model	VIN	
H3-41, H3-45 Coaches and VIP-45 Model Year : 1997 and up	2PCH33417V1011961 and up	

DESCRIPTION

Since the condenser's purpose is to dissipate heat from the hot refrigerant, it is important to keep the cooling coils and fins clean. A clogged coil will cause high discharge pressure and insufficient cooling. The following procedure describes the proper way to clean the condenser coils and fins.

PROCEDURE

Warning : Park vehicle safely, apply parking brake, stop engine and set battery master switch(es) to the OFF position prior to working on the vehicle.

1. Open condenser compartment door. Check the external surface of the coils at regular intervals [5000 miles (8 000 km) or more often according to operating conditions] for dirt or any other foreign matter.
2. Flush the condenser coils from inside out, using a water jet or water mixed with air under pressure. Direct the pressure straight through the coils and parallel to the fins to prevent bending of latter. Refer to figure 1.

Note : Use condenser fan openings for better access to the condenser.

Caution : Do not use steam or harsh soaps. Do not use high pressure to prevent bending of fins.

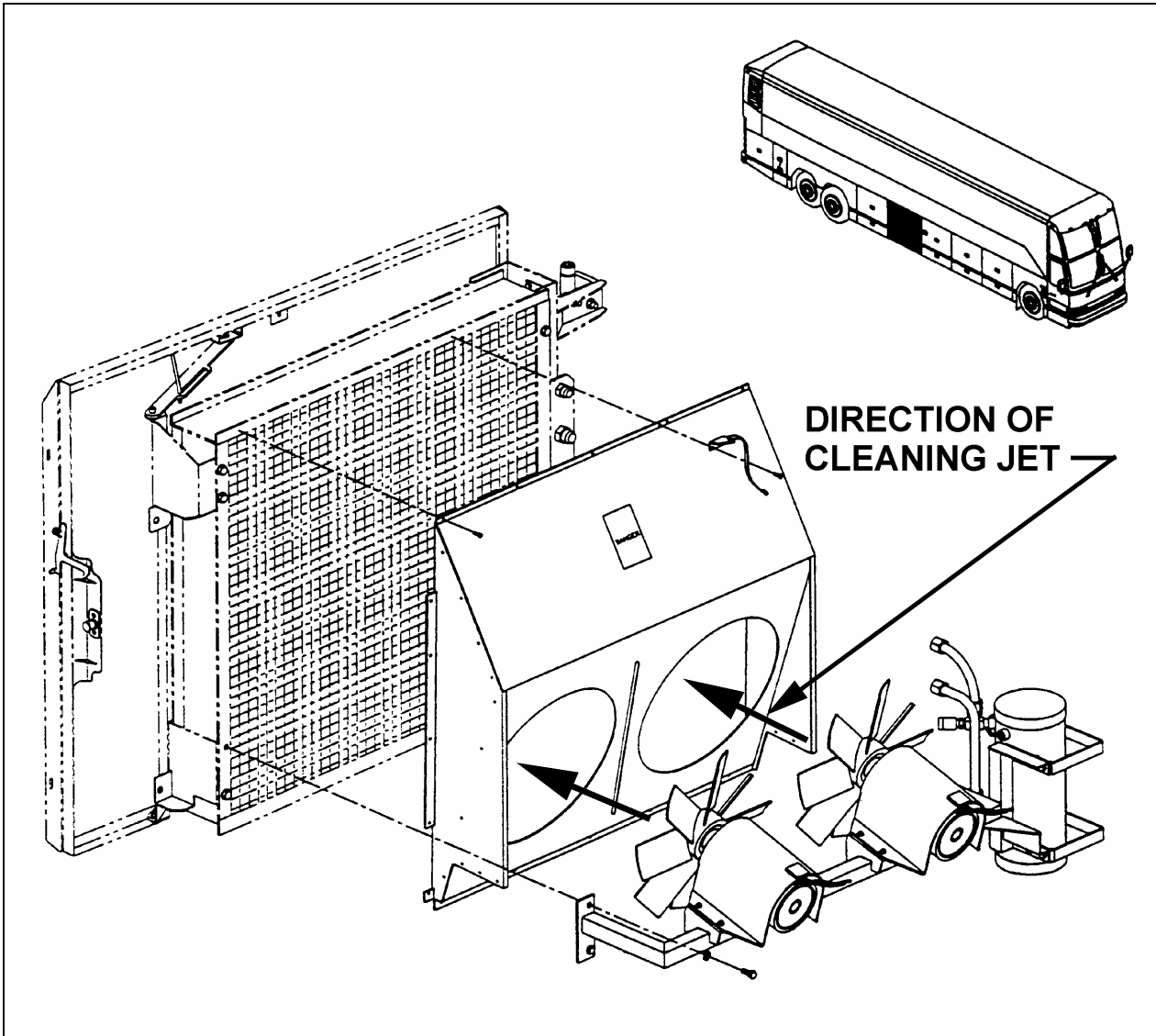


FIGURE 1 : DIRECTION OF JET FOR CONDENSER CLEANING