

**PREVOST**

ENREGISTRÉ - REGISTERED  
ISO 9001 & ISO 14001

**MAINTENANCE INFORMATION** Mi99-37



<b>DATE :</b> November 1999	<b>SECTION :</b> 05
<b>SUBJECT :</b> IMPROVED SURGE TANK HOSES	

**Important Notice:** This modification is recommended by Prévost Car to increase your vehicle's performance. Note that no reimbursement will be awarded for carrying out this modification.

**APPLICATION**

Model	VIN
M, M5, ME, XL-40 and XL-45 vehicles with Detroit Diesel series 60 engines. Model Year : 1993 - 1999	From 2P9M33404P <u>1001645</u> up to 2PCM33498X <u>1026914</u> incl.
H3-40, H3-41, H3-45 and VIP vehicles with Detroit Diesel series 60 engines. Model Year : 1993 - 1999	From 2P9H33402P <u>1001256</u> up to 2PCH33490Y <u>1013450</u> incl.

**DESCRIPTION**

New, longer lasting surge tank hoses are available for purchase. These new hoses replace the old ones without any modifications.

**MATERIAL**

Old Part No.	New Part No.	Description
051826	052329	Hose, 915 mm
010581	052332	Hose, 890 mm
052061	052335	Hose, 1142 mm
010565	052330	Hose, 572 mm
051929	052333	Hose, 990 mm
051963	052336	Hose, 1066 mm
051865	052331	Hose, 950 mm
051967	052334	Hose, 688 mm
051968	052337	Hose, 838 mm

**Note:** Material can be obtained through regular channels.

## PROCEDURE

**Warning:** Park vehicle safely, apply parking brake, stop engine and set battery master switch(es) to the OFF position prior to working on the vehicle.

**Warning:** DO NOT work on the engine cooling system while the coolant is hot. Risk of personal injury due to burns or scalding can occur. Let the engine and cooling system cool to ambient temperature before working on cooling system or related components.

- The new hoses are completely interchangeable with the older ones.
- Refer to your coach's Parts Manual in section 05 to determine which hoses to replace. Also, refer to figures 1 and 2 as guides to help locate the hoses on the surge tank.
- Replace surge tank hoses as per instructions in the Maintenance Manual, section 05 "COOLING SYSTEM" under "Hoses".

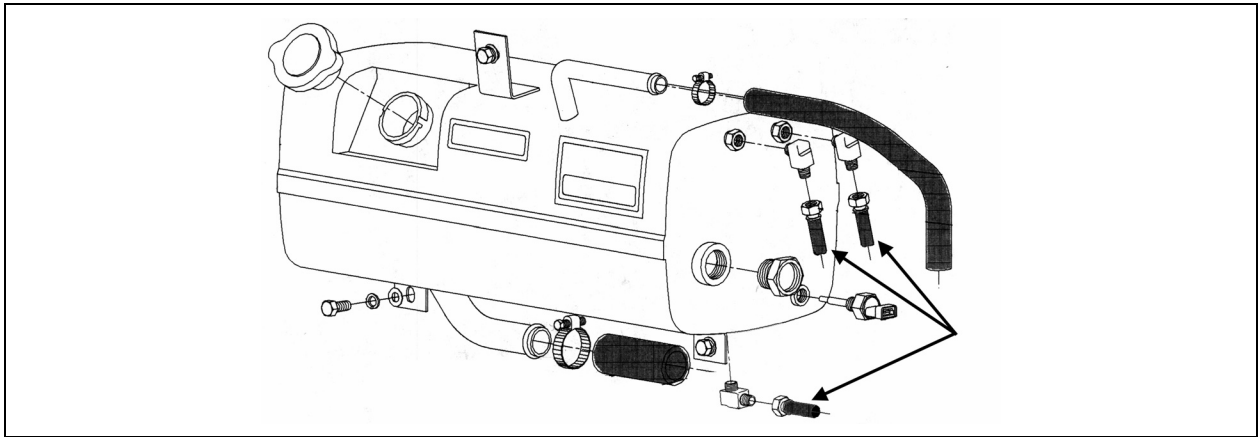


FIGURE 1: TYPICAL SURGE TANK ON H3-41 AND H3-45 COACHES

05082

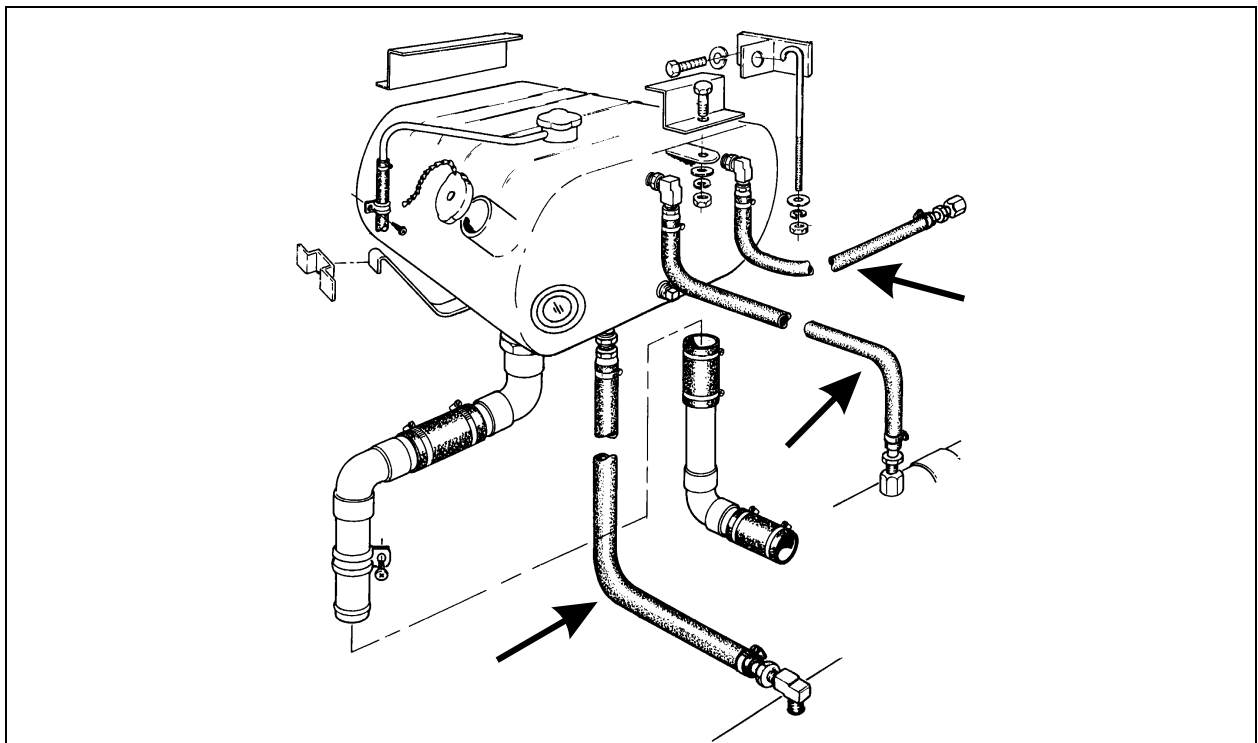


FIGURE 2: TYPICAL SURGE TANK ON XL SERIES COACHES

05081