



**PREVOST**

**SAFETY  
RECALL**

Sr99-36A

ENREGISTRÉ - REGISTERED  
**ISO 9001 & ISO 14001**



<b>DATE :</b> October 1999	<b>SECTION :</b> 18
<b>SUBJECT :</b> MODIFICATION OF EMERGENCY EXIT WINDOW STOPS	

**REVISION :** A

**Vehicles are added to the recall listing**

**APPLICATION**

Model	VIN
H3-41 & H3-45 Coaches Model Year : 1998 - 2000	From 2PCH3349XW1012285 up to 2PCH3349XY1013486 incl.

**Note :** Among the last vehicles concerned by this safety recall, many of them may have been factory assembled with stops in accordance with the specifications of this safety recall. In that case, forget about this recall. A stop in accordance with the specifications of this safety recall is shown on figure 4.

**DESCRIPTION**

If a front collision should happen, there is a risk that the emergency exit window stops strike the locking lever and break it. To eliminate this risk, a simple modification is necessary. This modification consist in cutting the top of the stop.

**Note :** Do not remove the stops to proceed to this modification. The most efficient tool to perform the modification is a pneumatic rotating hand tool with a circular saw blade (figure 1). In order to prevent metal cuttings from falling into the ventilation vent, cover the surroundings with a brown cardboard. Use two wooden sticks to hold the window in open position.

**SUGGESTED TOOL**

Tool	Description
Circular saw blade	diameter : 2 ½", bore : 7/16" (depending on the shaft), 100 teeth manufacturers : Sioux Power Tools, Keet Saw Blades , or any other manufacturer of that type of tool  <i>Important notice: consult your tool supplier to make sure that the saw blade is perfectly adaptable on your pneumatic tool.</i>

**Note :** If you do not have the expertise to perform the present Safety Recall, do not hesitate to go to your nearest Prévost Car Service Center.

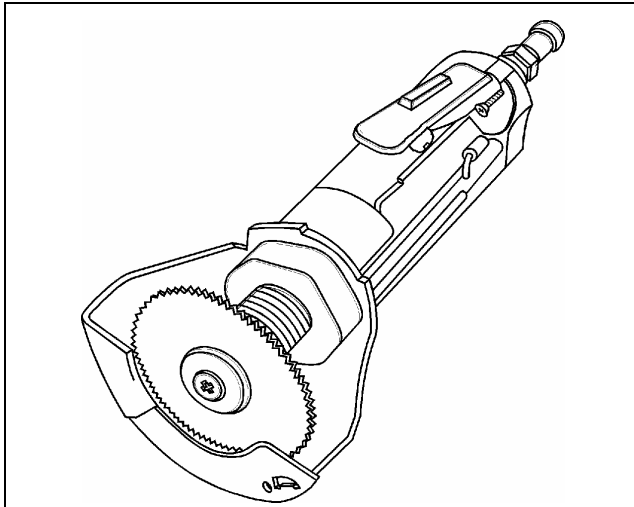


FIGURE 1 :RECOMMENDED PNEUMATIC TOOL

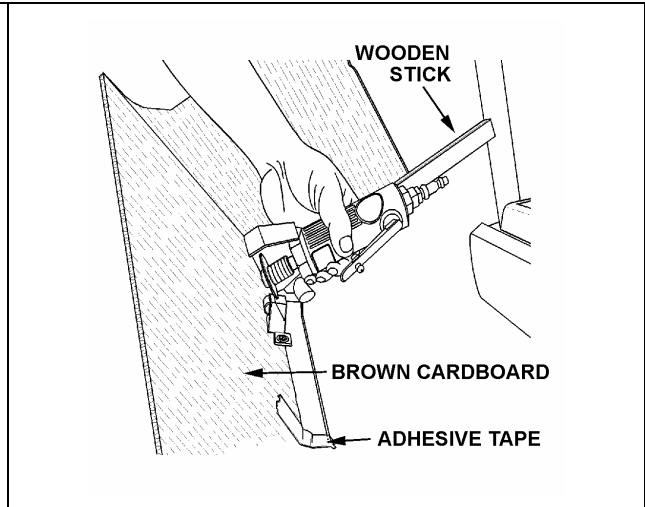


FIGURE 2 : WORKING SPACE PREPARATION

## PROCEDURE

**Warning :** Park vehicle safely, apply parking brake, stop engine and set battery master switch(es) to the OFF position prior to working on the vehicle.

1. Locate all emergency exit windows. A decal located on the bottom of window indicates the emergency exit location.
2. Open the window as per the instruction on the decal located on the release bar. Place two wooden sticks to hold the window open (figure 2).
3. Mark out the parting line on the stop (figure 3).
4. Cut a small opening on the brown cardboard and place it around the stop (figure 2).
5. Cut the stop along the parting line and file any sharp edges. See the final appearance on figure 4.
6. Repeat these steps for every emergency exit window stop.

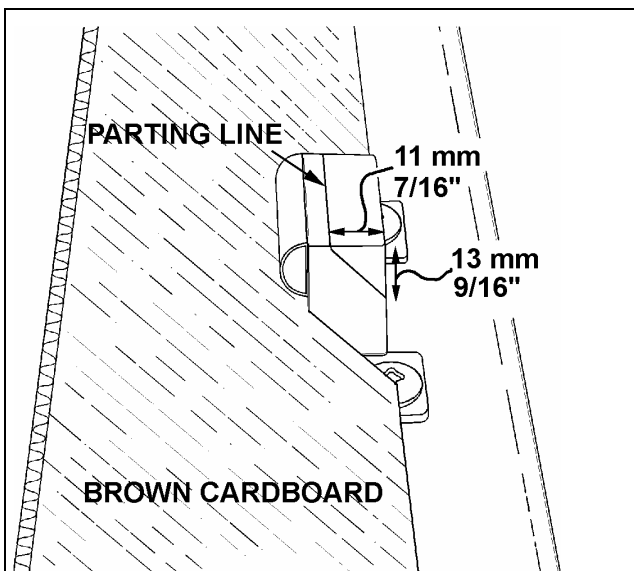


FIGURE 3 : PARTING LINE

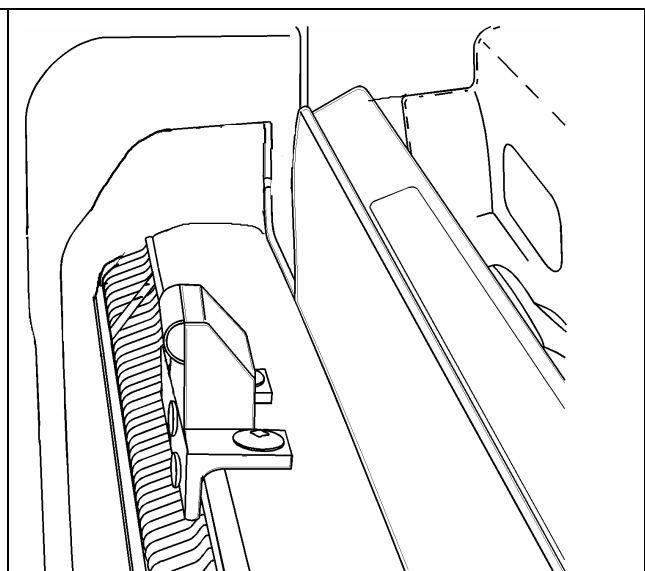


FIGURE 4 : FINAL APPEARANCE ONCE COMPLETED

## WARRANTY

This modification is covered by Prévost Car's normal warranty. We will reimburse you one hour (1.0) of labor upon receipt of a completed A.F.A. form on which you must specify as per "Safety Recall 99-36". **You also have to fill the "Safety Recall Certification Sheet" provided with this bulletin and return it with your A.F.A. form to be reimbursed.**

### Parts disposition :

- Discard according to applicable environmental regulations (Municipal/State[Prov.]/ Federal)
---





**PREVOST**

**Safety Recall  
Certification Sheet  
(Ref: Sr99-36A)**

ENREGISTRÉ - REGISTERED  
**ISO 9001 & ISO 14001**



**SERIAL NUMBER:** \_\_\_\_\_

PERFORMED BY		OWNER/OPERATOR	
We hereby certify that Safety Recall Instructions with regards to Safety Recall #99-36A have been performed.			
Name: _____		Name: _____	
Add: _____		Add: _____	
Phone: _____		Phone: _____	
Fax: _____		Fax: _____	
Signature : _____		Signature : _____	
Date: _____		Date: _____	

**If the information mentioned above is incorrect or you are not the owner of this vehicle anymore, please fill up this section and return to sender.**

**NEW OWNER:** \_\_\_\_\_

**BUSINESS:** \_\_\_\_\_

**ADDRESS:** \_\_\_\_\_

\_\_\_\_\_

\_\_\_\_\_

**TELEPHONE:** \_\_\_\_\_ **FAX:** \_\_\_\_\_

**Please return this completed document with your  
A.F.A. form**