

**PREVOST**

ENREGISTRÉ - REGISTERED  
**ISO 9001 & ISO 14001**


**WARRANTY  
BULLETIN**

Wb00-06



<b>DATE :</b> FEBRUARY 2000	<b>SECTION :</b> 07 - Transmission
<b>EXPIRATION:</b> FEBRUARY 2001	
<b>SUBJECT :</b> TRANSMISSION OIL COOLER SUPPORT BRACKET MODIFICATION	

**APPLICATION**

Model	VIN	
H3-45 Coaches Model Year : 2000	2PCH33492Y1013529 2PCH33496Y1013579 2PCH33494Y1013581 2PCH33496Y1013582 2PCH33498Y1013583 2PCH33491Y1013585 2PCH33493Y1013586	2PCH33495Y1013587 2PCH33499Y1013589 2PCH33495Y1013590 2PCH33497Y1013591 2PCH33493Y1013605 2PCH33490Y1013609
XLII-45 Bus Shells Model Year : 2000	2PCW33498Y1027071 2PCW33490Y1027100	
H3-45 VIP Bus Shells Model Year : 2000	2PCV33498Y1013506 2PCV33493Y1013512 2PCV33490Y1013516 2PCV33498Y1013523 2PCV33493Y1013526	2PCV3349XY1013538 2PCV33492Y1013551 2PCV33498Y1013568 2PCV33497Y1013576 2PCV33496Y1013584

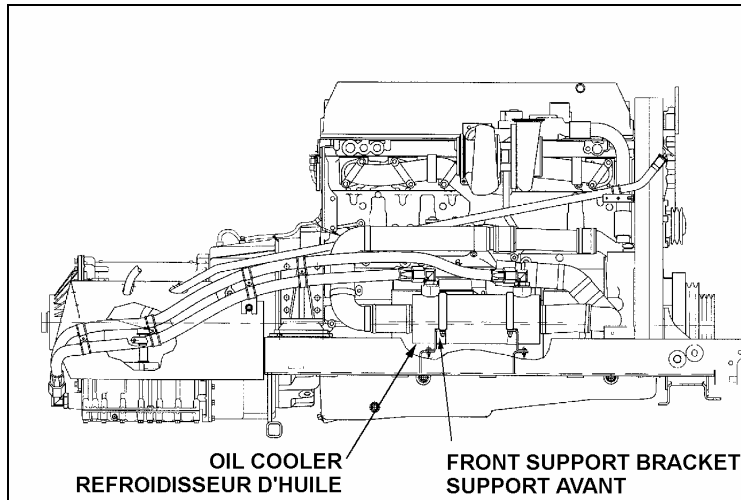
**DESCRIPTION**

On the above mentioned vehicles, the transmission oil cooler front support bracket is too close to the engine oil filter and there is a risk of perforation due to the rotating movement of the engine. A modification is necessary in order to keep a minimal clearance between the support bracket and the filter.

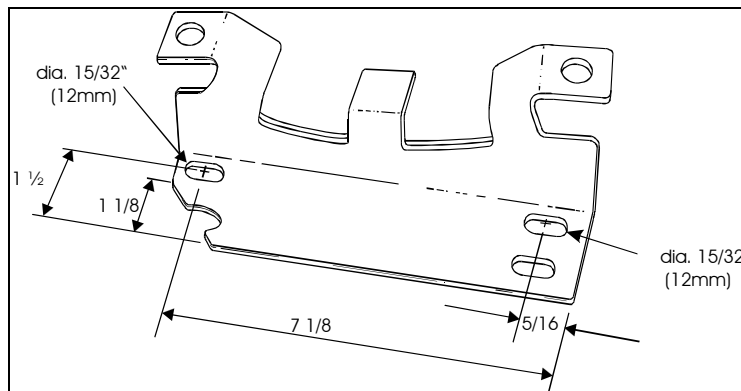
**PROCEDURE**

**Warning :** Park vehicle safely, apply parking brake, stop engine and set battery master switch(es) to the OFF position prior to working on the vehicle.

1. Underneath the vehicle, on the left side of the motor, unscrew the front U-shaped clamp (figure 1).
2. Adequately support the oil cooler.
3. Unscrew and remove the front support bracket (figure 2).
4. Cut the corner of the support bracket to an angle of 45° as per figure 2.
5. Drill two 15/32" (12mm) diameter holes as per figure 2.
6. Using the new holes, reinstall the support bracket.
7. Reinstall the U-shaped clamp. Tighten the bolts properly.
8. The modification is now completed.



**FIGURE 1 : LEFT HAND SIDE OF ENGINE**



**FIGURE 2 : MODIFICATION ON THE OIL COOLER SUPPORT BRACKET**

## WARRANTY

This modification is covered by Prévost Car's normal warranty. We will reimburse you ½ hour (0.5) of labor upon receipt of a completed A.F.A. form on which you must specify as per "Warranty Bulletin 00-06".