

**PREVOST**

ENREGISTRÉ - REGISTERED  
ISO 9001 & ISO 14001

**WARRANTY  
BULLETIN**

Wb04-10A



|   |                                |
|---|--------------------------------|
| <b>DATE :</b> FEBRUARY 2005   | <b>SECTION :</b> 14 - Steering |
| <b>EXPIRATION:</b> FEBRUARY 2007  |                                |
| <b>SUBJECT :</b> INSPECTION & REPLACEMENT OF POWER STEERING PRESSURE HOSE |                                |

**REVISION :** A

**Addition of part numbers in the case of the entire hose replacement**

**APPLICATION**

| Model   | VIN   |
|---|---|
| XL2-45 Entertainer<br>Model Year : 2001 – 2005    | From 2PCY3349311027428 up to 2PCY3349X51028369 incl.  |
| XL2-45 Coaches<br>Model Year : 2001 – 2005        | From 2PCX3349911027493 up to 2PCX3349851028513 incl.  |
| H3-41 & H3-45 Coaches<br>Model Year : 2002 – 2005 | From 2PCH3349821014403 up to 2PCH3349X51010094 incl.  |
| H3-45 VIP Entertainer<br>Model Year : 2002 – 2004 | 2PCV3349131014442 – 2PCV3349431014449 – 2PCV3349431014452<br>2PCV3349131014456 – 2PCV3349531014458 – 2PCV3349331014460<br>2PCV3349931014463 – 2PCV3349231014465 – 2PCV3349231014479<br>2PCV3349031014481 – 2PCV3349631014484 – 2PCV3349X31014486<br>2PCV3349331014491 – 2PCV3349431014497 – 2PCV3349631014503<br>2PCV3349X31014505 – 2PCV3349X31014519 – 2PCV3349031014531<br>2PCV3349831014535 – 2PCV3349331014541 – 2PCV3349031014545<br>2PCV3349331014555 – 2PCV3349031014559 – 2PCV3349231014563<br>2PCV3349631014565 – 2PCV3349331014572 – 2PCV3349831014583<br>2PCV3349031014593 – 2PCV3349131014604 – 2PCV3349831014616<br>2PCV3349031014643 – 2PCV3349231014644 – 2PCV3349131014683<br>2PCV3349031014688 – 2PCV3349031014691 – 2PCV3349831014695<br>2PCV3349731014719 – 2PCV3349731014722 – 2PCV3349631014727<br>2PCV3349231014742 – 2PCV3349431014743 – 2PCV3349X31014746<br>2PCV3349531014749 – 2PCV3349331014751 – 2PCV3349441014758<br>2PCV3349541014767 – 2PCV3349041014787 – 2PCV3349441014789<br>2PCV3349841014794 – 2PCV3349741014804 – 2PCV3349041014806<br>2PCV3349241014807 – 2PCV3349641014809 – 2PCV3349041014823<br>2PCV3349141014829 |

**This bulletin does not necessarily apply to all the above-mentioned vehicles, some vehicles may have been modified before delivery. The owners of the vehicles affected by this bulletin will be advised by a letter indicating the Vehicle Identification Number (VIN) of each vehicle concerned.**

## DESCRIPTION

It has come to the attention of Prevost Car Inc. that on the previously mentioned vehicles, premature power steering hose wear located in the engine compartment, baggage compartments and in the front service compartment might occur and thus in the long term cause power steering break down. Inspect the hoses mentioned below and replace them if there is evidence of wear.

## PART A – HOSE INSPECTION

### PROCEDURE

#### △ WARNING △

**Park vehicle safely, apply parking brake, stop engine and set battery master switch(es) to the OFF position prior to working on the vehicle.**

1. Open the front electrical and service compartment; inspect the power steering pressure hose in order to detect any signs of wear.
2. Open the baggage compartment door(s). Inspect the power steering pressure hose in order to detect any signs of wear.
3. Open the engine compartment door(s). Inspect the power steering pressure hose in order to detect any signs of wear. Mainly inspect the hose near the pump and near the starter motor cable assembly.
4. If no signs of wear are detected, close the door(s), the inspection is finished.
5. If premature power steering hose wear is detected, proceed with part b.

## PART B – HOSE REPLACEMENT

### MATERIAL

| Part No. | Description   | Qty |
|----------|---|-----|
| 161027   | Hose, Replacement, XL2 Rear Section, XL2-45 Entertainer           | 1   |
| 161137   | Hose, Replacement, XL2 Rear Section, XL2-45 Coaches               | 1   |
| 161197   | Kit, Hose Replacement, XL2 Front Section                          | 1   |
| 161136   | Hose, Entire, Replacement, (9195 mm) XL2-45 Coaches & Entertainer | 1   |
| 161198   | Kit, Hose Replacement, H3 Front Section                           | 1   |
| 161199   | Kit, Hose Replacement, H3 Rear Section                            | 1   |
| 161164   | Hose, Entire, Replacement, (14550 mm) H3                          | 1   |

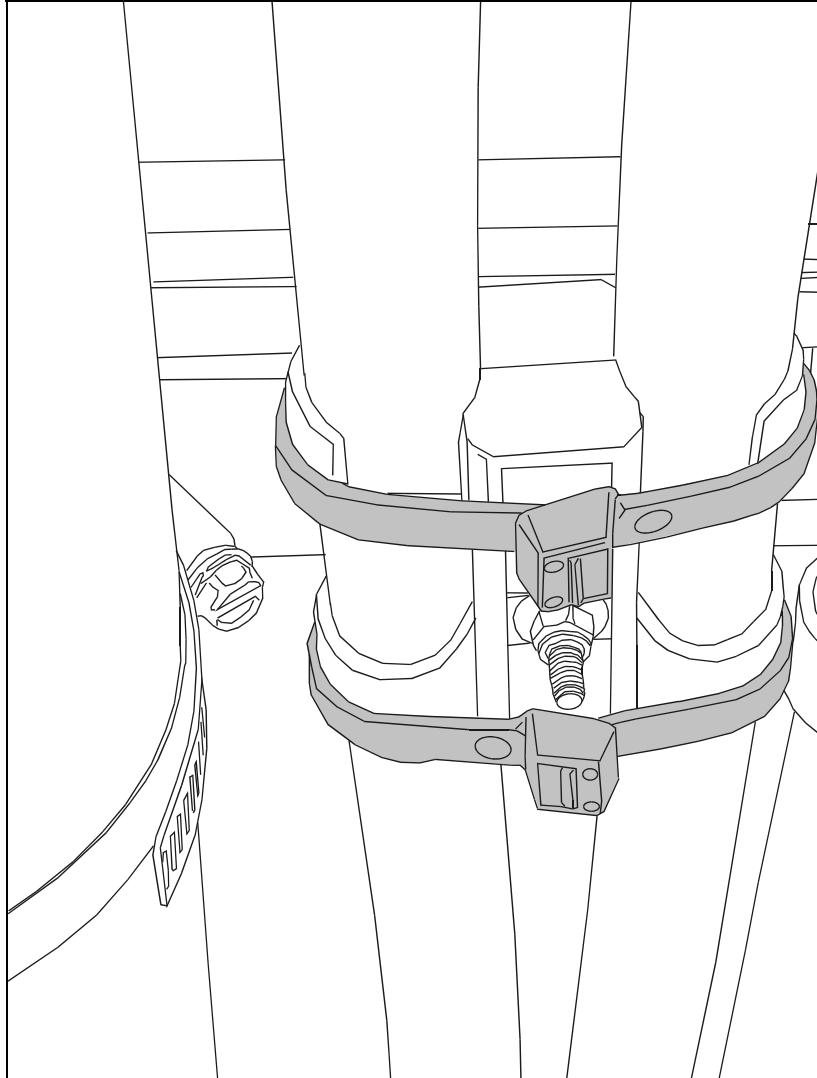
#### *NOTE*

*Material can be obtained through regular channels.*

## H3 SERIES VEHICLES PROCEDURE

### BAGGAGE COMPARTMENTS

1. Fix pressure hose to supports using nylon ties (Refer to figure 1).



**FIGURE 1: INSTALLATION OF NYLON TIES (TYPICAL)**

2. If the pressure hose oozes with oil or premature hose wear has reached the wire reinforcement, replace the entire power steering pressure hose (161164).

### FRONT SECTION

1. Put a container into place below the power steering gear, and then disconnect the pressure hose from the power steering gear. Cover fittings to prevent fluid contamination.
2. Measure the new hose length (161196) supplied in kit #161198. Cut and remove the corresponding length of hose from the installed hose.
3. Install the male connector (501456) to the end of the cut hose.
4. Install the new hose between the male connector and the power steering gear.
5. Bleed air from the system as indicated in section 14 of Maintenance Manual.

## REAR SECTION

1. Open the engine compartment door then put a container into place below the power steering pump, and then disconnect the pressure hose from the power steering pump. Cover fittings to prevent fluid contamination.
2. Measure the new hose length (161194) supplied in kit #161199. Cut and remove the corresponding length of hose from the installed hose.
3. Install the male connector (501456) to the end of the cut hose.
4. Install the new hose between the male connector and the power steering pump.
5. Bleed air from the system as indicated in section 14 of Maintenance Manual.

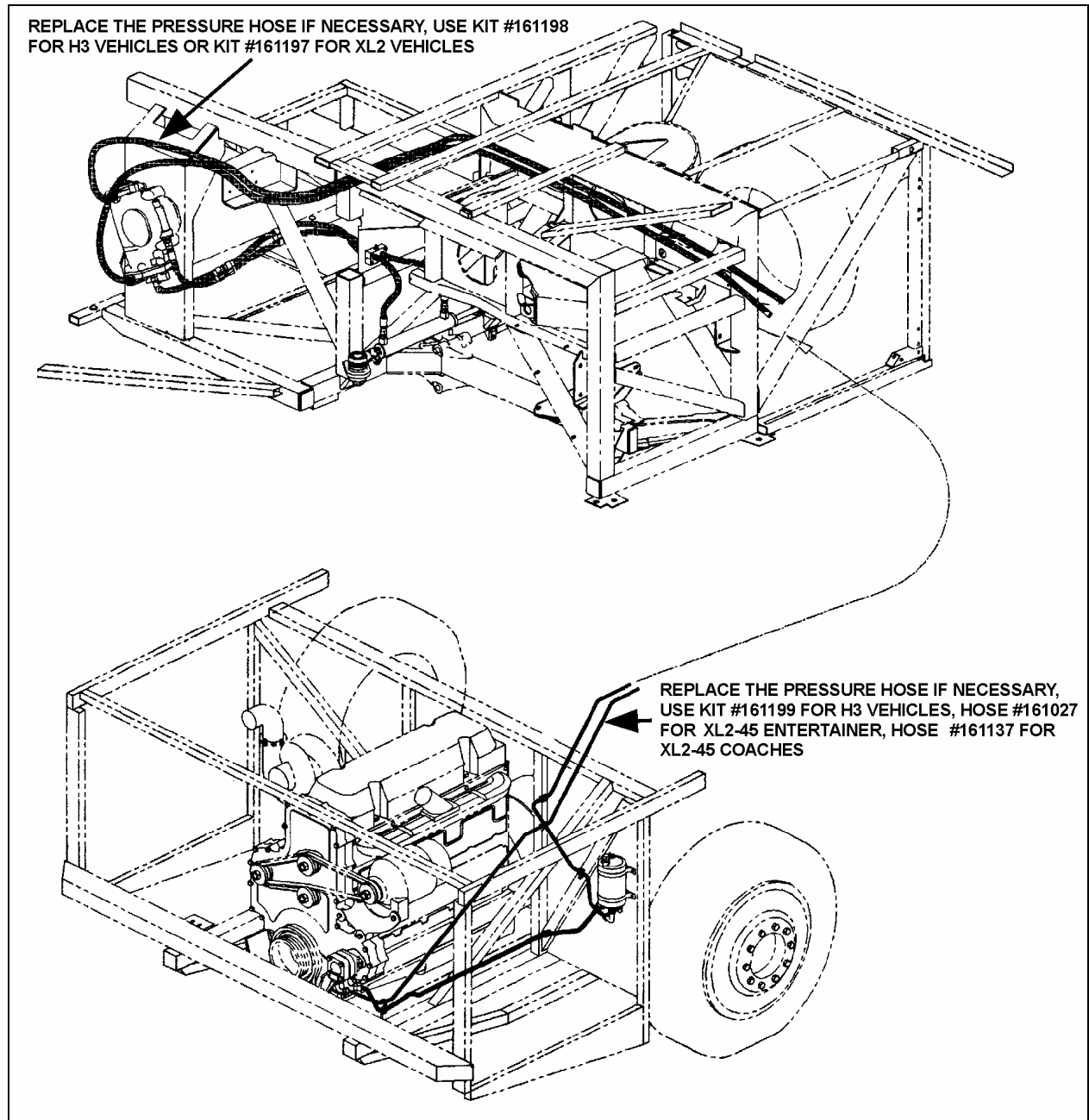


FIGURE 2: H3 OR XL2 VEHICLES

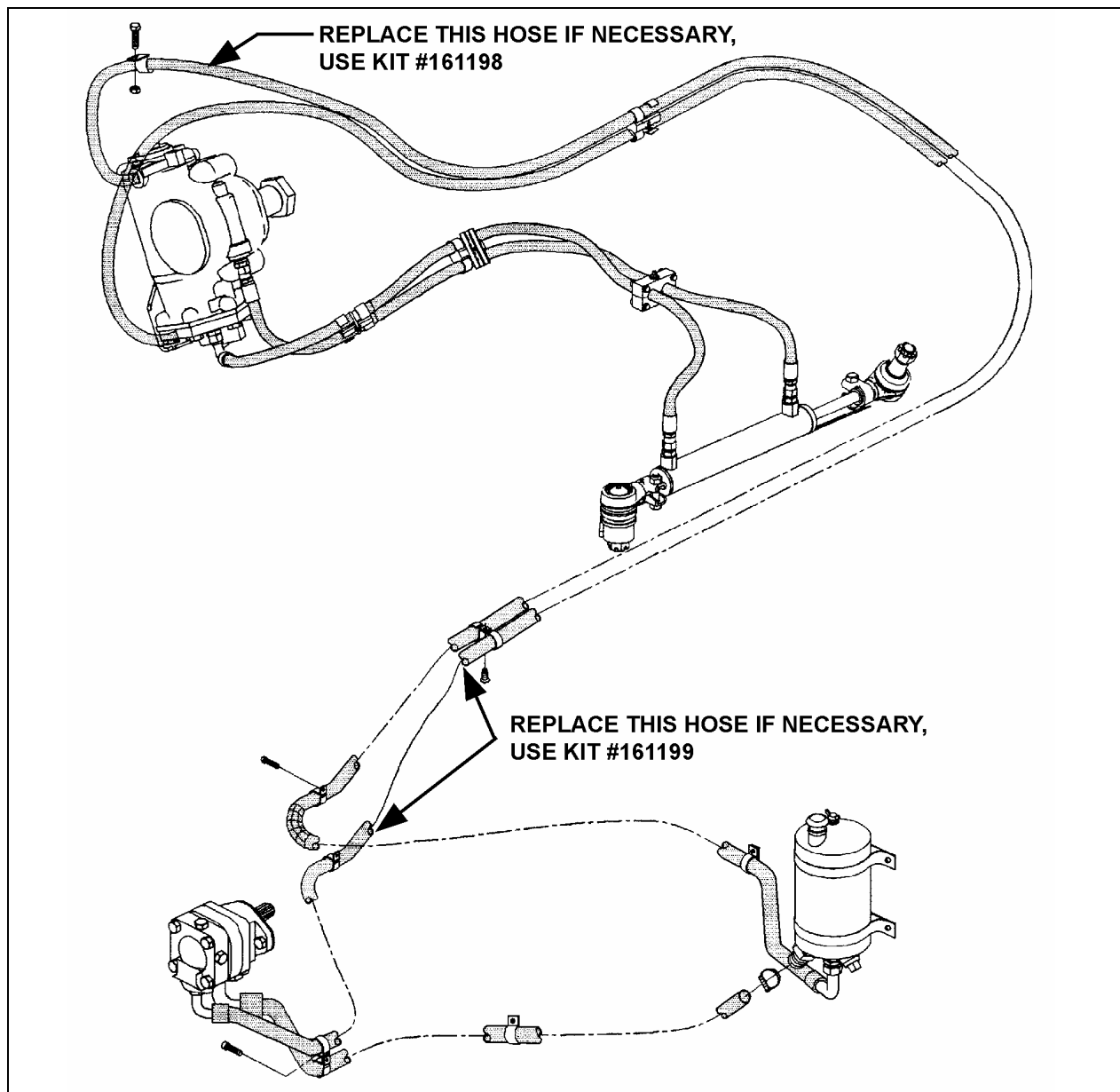


FIGURE 3: H3 VEHICLES

## XL2 SERIES VEHICLES PROCEDURE

### BAGGAGE COMPARTMENTS

1. Fix pressure hose to supports using nylon ties (Refer to figure 1).
2. If the pressure hose oozes with oil or premature hose wear has reached the wire reinforcement, replace the entire power steering pressure hose (161136).

### FRONT SECTION

1. Put a container into place below the power steering gear, and then disconnect the pressure hose from the power steering gear. Cover fittings to prevent fluid contamination.

2. Measure the new hose length (161195) supplied in kit #161197. Cut and remove the corresponding length of hose from the installed hose.
3. Install the male connector (501456) to the end of the cut hose.
4. Install the new hose between the male connector and the power steering gear.
5. Bleed air from the system as indicated in section 14 of Maintenance Manual.

#### REAR SECTION

1. Open the engine compartment doors then put a container into place below the power steering pump.
2. Disconnect the pressure hose located between the power steering pump and the bulkhead connector. Cover fittings to prevent fluid contamination.
3. Install the new hose (161027 or 161137) between the bulkhead connector and the power steering pump.
4. Bleed air from the system as indicated in section 14 of Maintenance Manual.

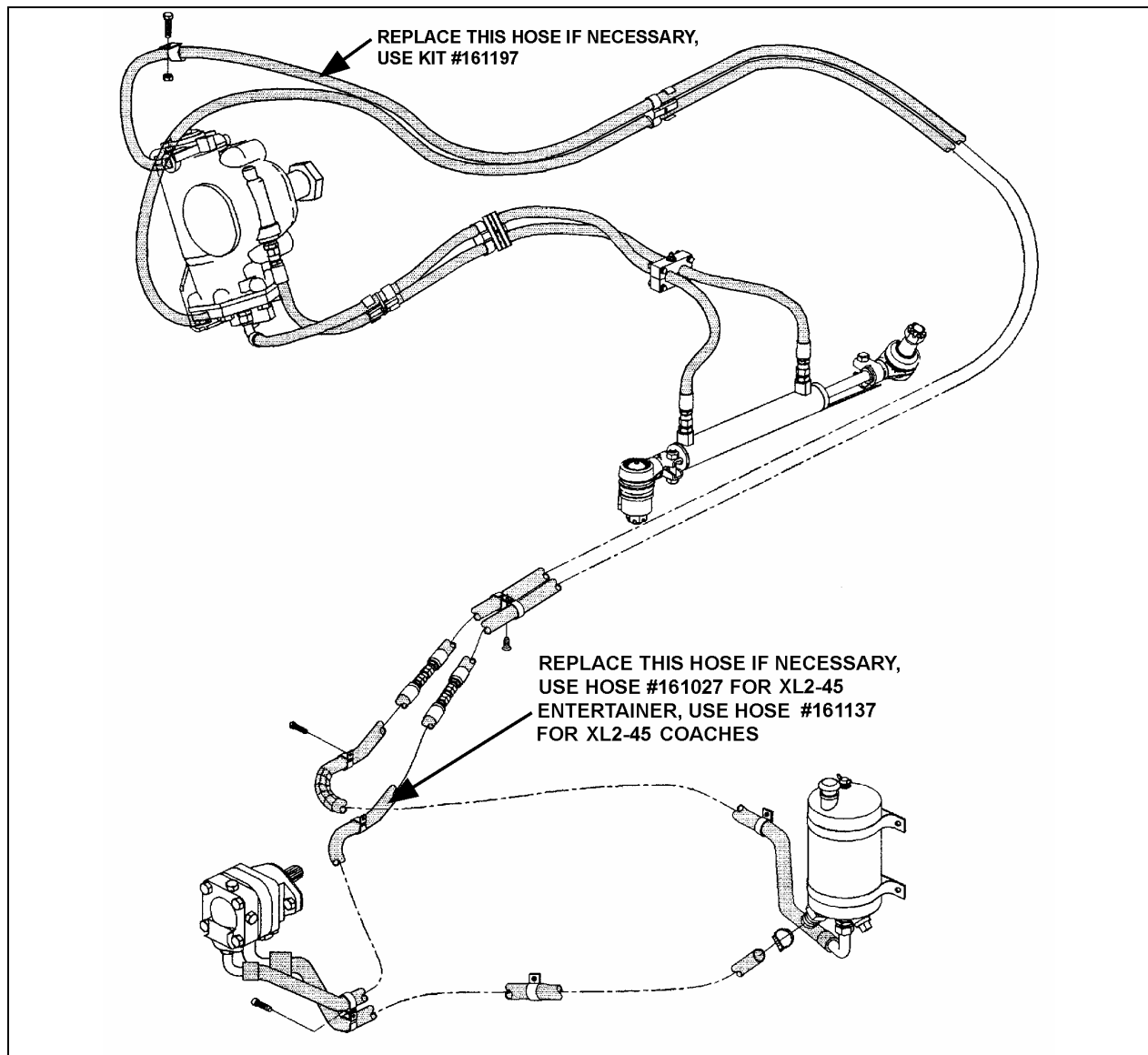


FIGURE 4: XL2 VEHICLES

## WARRANTY

This modification is covered by Prevost Car's normal warranty.

### PART A – HOSE INSPECTION

We will reimburse you one quarter hour (0.25) of labor for performing the inspection.

### PART B – HOSE REPLACEMENT

We will reimburse you the parts and **two hours (2.0) of labor per replaced hose** upon receipt of the replaced parts and a completed A.F.A. form on which you must specify as per "Warranty Bulletin 04-10".

We will reimburse you the parts and **four hours (4.0) of labor for the replacement of the entire hose** upon receipt of the replaced parts and a completed A.F.A. form on which you must specify as per "Warranty Bulletin 04-10".

### Parts / Waste disposal:

Return replaced parts to Prevost Car with A.F.A. for full reimbursement.

**Reimbursement is subject to parts inspection by Prevost Car.**