

PREVOST

ENREGISTRÉ - REGISTERED
ISO 9001 & ISO 14001


**WARRANTY
BULLETIN**

Wb04-18



DATE : DECEMBER 2004	SECTION : 16 - Suspension
EXPIRATION: DECEMBER 2006	
SUBJECT : INSPECTION OF RADIUS ROD NUTS LOCKING TAB PLATES	

APPLICATION

Model	VIN	
XLII Vehicles Model Year : 2005	2PCY3349851028497, 2PCW3349051028498, 2PCY3349151028499, 2PCW3349551028500, 2PCW3349751028501, 2PCW3349951028502, 2PCW3349051028503, 2PCW3349251028504, 2PCY3349351028505, 2PCY3349951028508, 2PCW3349751028515, 2PCW3349951028516, 2PCY3349X51028517	
<p>This bulletin does not necessarily apply to all the above-mentioned vehicles, some vehicles may have been modified before delivery. The owners of the vehicles affected by this bulletin will be advised by a letter indicating the Vehicle Identification Number (VIN) of each vehicle concerned.</p>		

DESCRIPTION

It is possible that some of the above-mentioned vehicles were delivered with the radius rods locking tab plates unfolded. It is necessary to check all the locking tab plates identified in this bulletin and to fold the locking tabs up the bolt heads if necessary.

PROCEDURE

⚠ WARNING ⚠
<p>Park vehicle safely over a repair pit, apply parking brake, stop engine and set battery master switch(es) to the OFF position prior to working on the vehicle.</p> <p>Prior to working under an air-suspended vehicle, it is strongly recommended to securely support the body at the recommended jacking points</p>

1. Identify drive axle subframe and rear suspension locking tab plates. Check if all the tabs are folded up against the nuts, fold up if required.

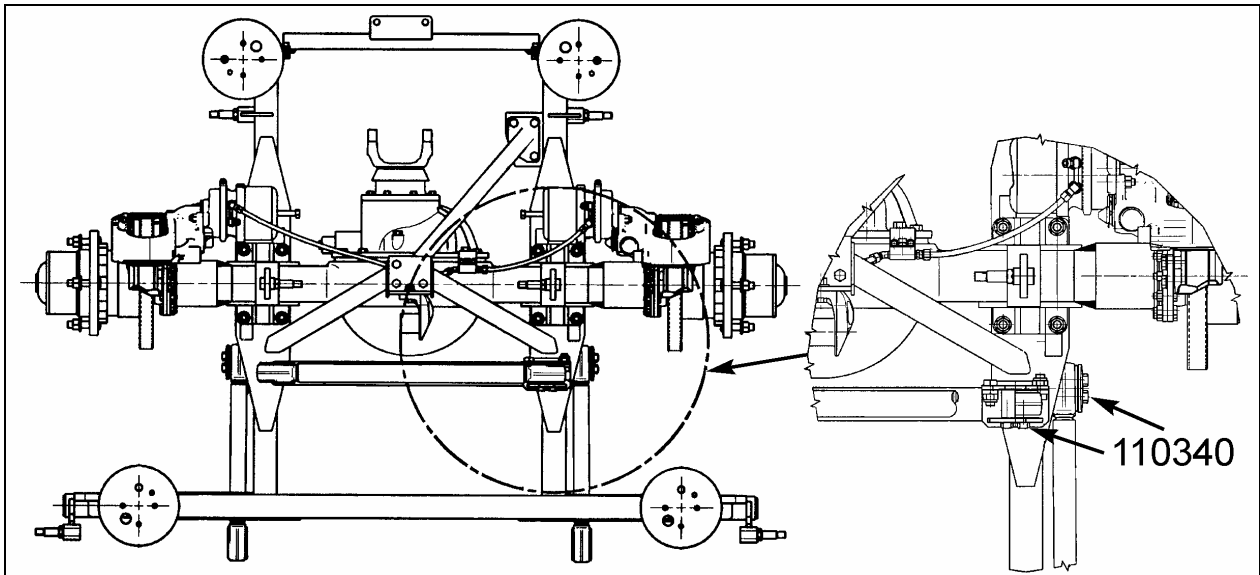


FIGURE 1 : FRONT SUSPENSION LOCKING TAB PLATES

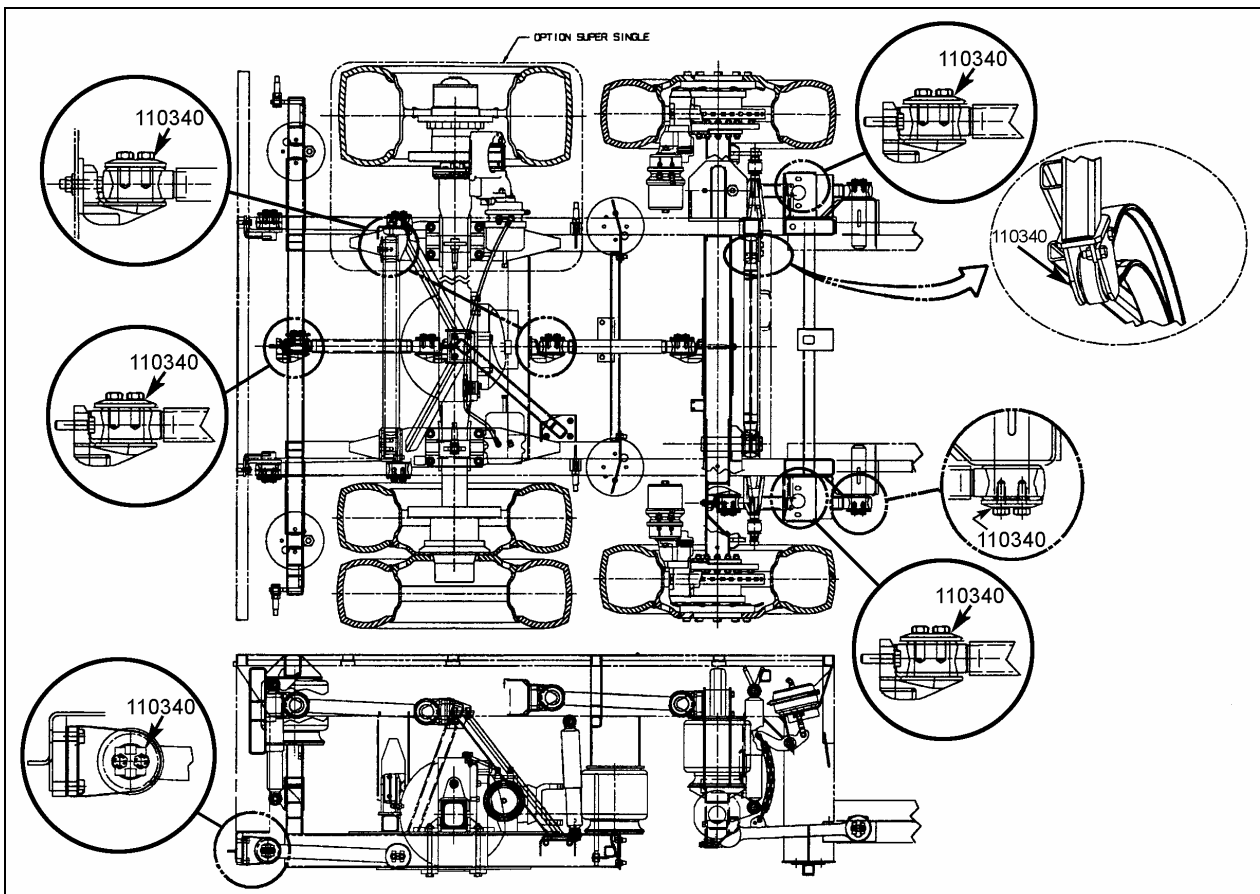


FIGURE 2 : REAR SUSPENSION LOCKING TAB PLATES

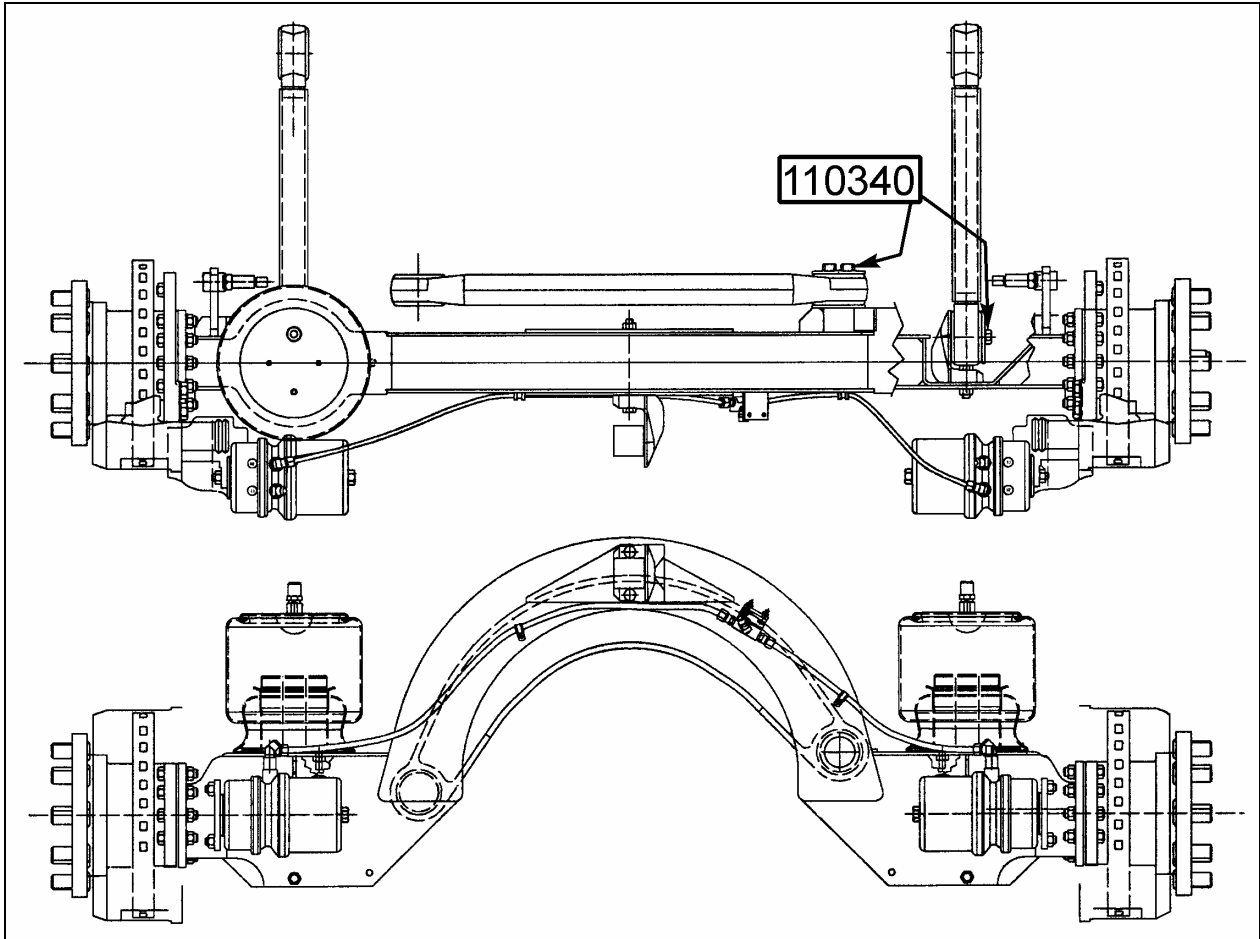


FIGURE 3 : TAG AXLE LOCKING TAB PLATES

WARRANTY

This modification is covered by PrevoSt Car's normal warranty. We will reimburse you half an hour (0.5) of labor upon receipt of a completed A.F.A. form on which you must specify as per "Warranty Bulletin 04-18".