

PREVOST

ENREGISTRÉ - REGISTERED
ISO 9001 & ISO 14001



**WARRANTY
BULLETIN**

Wb09-01

DATE : MARCH 2009	SECTION : 04 - Exhaust
EXPIRATION: MARCH 2011	
SUBJECT : COACHES EXHAUST SYSTEM UPDATE	

APPLICATION

Model	VIN
H3-41, H3-45 Coaches Model Year : 2007 - 2009	From 2PCH334907C710698 up to 2PCH334949C711341 incl.
X3-45 Coaches Model Year : 2008	From 2PCG3349381729108 up to 2PCG334948C729431 incl.

This bulletin does not necessarily apply to all the above-mentioned vehicles, some vehicles may have been modified before delivery. The owners of the vehicles affected by this bulletin will be advised by a letter indicating the Vehicle Identification Number (VIN) of each vehicle concerned.

DESCRIPTION

On the vehicles affected by this bulletin, the exhaust system must be updated in order to modify exhaust fumes path, increase diffuser performance and reflect latest improvement.

SECTION 1: H3-41 AND H3-45 COACHES

Please refer to the following table to know the part applying to your coach

PART TO DO	VIN
PART A	2PCH334907C710698 – 2PCH3349681710749 2PCH3349581710855 – 2PCH334948C710995
PART B	2PCH334968C710948
PART C	From 2PCH334928C711045 up to 2PCH334958C711220 incl.
PART D	2PCH334928C711231 – 2PCH334918C711232 – 2PCH334949C711341

PART E	2PCH334998C711155 – 2PCH334908C711156 – 2PCH334948C711158 2PCH3349X8C711164 – 2PCH334918C711165 – 2PCH334978C711185 2PCH334998C711186 – 2PCH334948C711211 – 2PCH334918C711215 2PCH334958C711217 – 2PCH334998C711219 – 2PCH334978C711221 2PCH334908C711223
--------	---


PART A

MATERIAL

Part No	Description	Qty
21102422	Diffuser	1
540067	Clamp, Holding	1
21139384	Cover, Louvered Diffuser	1
040748	Deflector	1
040599	Pipe, Drain	1
640873	Fitting, pipe	1
21139388	Plate, Warning	1
5001684	Nut, Cap	10
502573	Washer, Flat	10

NOTE
<i>Material can be obtained through regular channels.</i>

PROCEDURE

 <b style="font-size: 1.2em;">DANGER
Park vehicle safely, apply parking brake, stop engine and set battery master switch(es) to the OFF position prior to working on the vehicle.

1. Open Diesel Particulate Filter (DPF) compartment access door.
2. Remove DPF compartment roof ventilation grill and put aside (refer to fig. 1 or 2).
3. Remove diffuser holding clamp located above diesel particulate filter (refer to fig. 1 or 2).
4. Unfasten diffuser drain pipe fitting and then remove drain pipe (refer to fig. 1 or 2).
5. Replace current diffuser with diffuser (21102422) equipped with welded screen.
6. Position Diesel Particulate Filter (DPF) compartment roof ventilation grill and then fix new deflector (040748) and roof ventilation grill using screws (refer to fig. 1 or 2).
7. Secure diffuser using SS holding clamp (540067) (refer to fig. 1 or 2).



CAUTION

Height of diffuser must be adjusted so that it is flush with or exceeds by ¼ inch (6 mm) maximum the rear cap exterior surface.

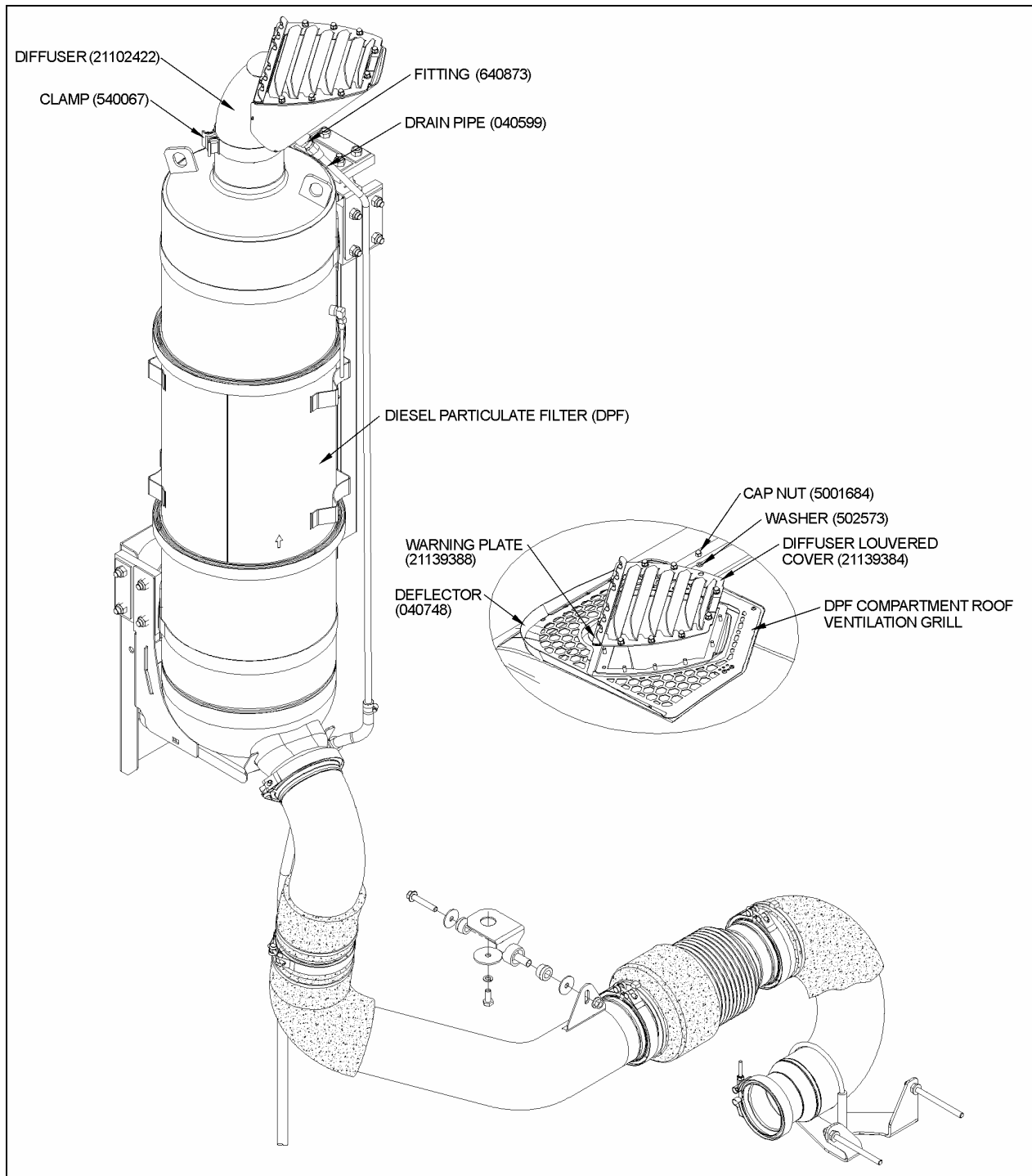


FIGURE 1: EXHAUST SYSTEM INSTALLATION WITH DDEC VI ENGINE

8. Replace copper drain pipe with SS pipe (040599) and secure to diffuser using new pipe fitting (640873) (refer to fig. 1 or 2).

9. Fix diffuser louvered cover (21139384) as well as warning plate (21139388) onto diffuser using flat washers (502573) and cap nuts (5001684) (refer to fig. 1 or 2).

NOTE

Use anti-seize compound (680035) onto stud threads.

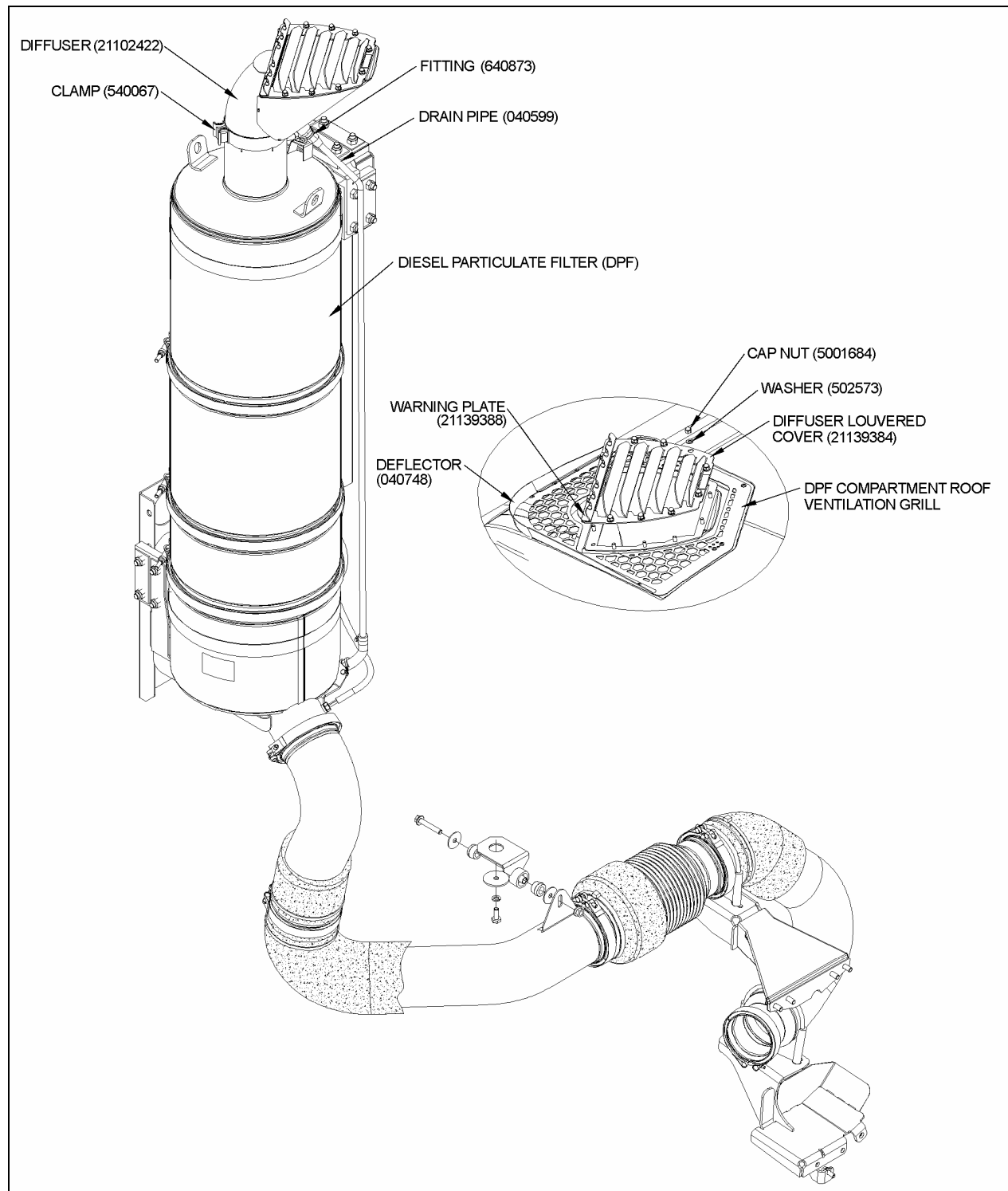


FIGURE 2: EXHAUST SYSTEM INSTALLATION WITH VOLVO D13 ENGINE

10. Close Diesel Particulate Filter (DPF) compartment access door.

11. Inside engine compartment, check the length of the hose located at the end of the SS drain pipe. The length should not exceed 4 inches (100 mm) after the hose clamp. Make sure that hose orientation allows draining.

WARRANTY

This modification is covered by Prevo's normal warranty. We will reimburse you the parts and one and a half hour (1.5) of labor upon receipt of a completed A.F.A. form on which you must specify as per "Warranty Bulletin 09-01".

Parts / Waste disposal:

- Discard waste according to applicable environmental regulations (Municipal/State[Prov.]/ Federal)

PART B

MATERIAL

Part No	Description	Qty
21102422	Diffuser	1
540067	Clamp, Holding	1
21139384	Cover, Louvered Diffuser	1
040748	Deflector	1
5001684	Nut, Cap	10
502573	Washer, Flat	10

NOTE

Material can be obtained through regular channels.

PROCEDURE



DANGER

Park vehicle safely, apply parking brake, stop engine and set battery master switch(es) to the OFF position prior to working on the vehicle.

1. Open Diesel Particulate Filter (DPF) compartment access door.
2. Remove DPF compartment roof ventilation grill and put aside (refer to fig. 1 or 2).
3. Remove diffuser holding clamp located above diesel particulate filter (refer to fig. 2).
4. Unfasten diffuser drain pipe fitting (refer to fig. 2).
5. Replace current diffuser with diffuser (21102422) equipped with welded screen.
6. Position Diesel Particulate Filter (DPF) compartment roof ventilation grill and then fix new deflector (040748) and roof ventilation grill using screws (refer to fig. 2).
7. Secure diffuser using SS holding clamp (540067) (refer to fig. 2).



CAUTION

Height of diffuser must be adjusted so that it is flush with or exceeds by ¼ inch (6 mm) maximum the rear cap exterior surface.

8. Reconnect drain pipe to diffuser using pipe fitting (refer to fig. 2).
9. Fix diffuser louvered cover (21139384) as well as warning plate onto diffuser using flat washers (502573) and cap nuts (5001684) (refer to fig. 2).

NOTE

Use anti-seize compound (680035) onto stud threads.

10. Close Diesel Particulate Filter (DPF) compartment access door.
11. Inside engine compartment, check the length of the hose located at the end of the SS drain pipe. The length should not exceed 4 inches (100 mm) after the hose clamp. Make sure that hose orientation allows draining.

WARRANTY

This modification is covered by Prevo's normal warranty. We will reimburse you the parts and one and a quarter hour (1.25) of labor upon receipt of a completed A.F.A. form on which you must specify as per "Warranty Bulletin 09-01".

Parts / Waste disposal:

- Discard waste according to applicable environmental regulations (Municipal/State[Prov.]/ Federal)

PART C

MATERIAL

Part No	Description	Qty
21139384	Cover, Louvered Diffuser	1
040748	Deflector	1
040755	Pipe Fitting equipped with strainer	1
5001684	Nut, Cap	10
502573	Washer, Flat	10

NOTE

Material can be obtained through regular channels.

PROCEDURE



DANGER

Park vehicle safely, apply parking brake, stop engine and set battery master switch(es) to the OFF position prior to working on the vehicle.

1. Open Diesel Particulate Filter (DPF) compartment access door.
2. Unfasten 10 cap nuts fixing diffuser louvered cover.

NOTE

Heat up first to prevent breaking studs. If 2 studs or more are broken, diffuser needs replacement following procedure described in PART B.

3. Unfasten diffuser drain pipe fitting (refer to fig. 1 or 2).
4. Install new pipe fitting equipped with strainer (040755) and then reconnect drain pipe to diffuser.
5. Fix diffuser louvered cover (21139384) as well as warning plate onto diffuser using flat washers (502573) and cap nuts (5001684) (refer to fig. 1 or 2).

NOTE

Use anti-seize compound (680035) onto stud threads.

6. Fix new deflector (040748) onto Diesel Particulate Filter (DPF) compartment roof ventilation grill using roof ventilation grill fixing screws (refer to fig. 1 or 2).
7. Close Diesel Particulate Filter (DPF) compartment access door.
8. Inside engine compartment, check the length of the hose located at the end of the SS drain pipe. The length should not exceed 4 inches (100 mm) after the hose clamp. Make sure that hose orientation allows draining.

WARRANTY

This modification is covered by Prevost's normal warranty. We will reimburse you the parts and one hour (1.0) of labor upon receipt of a completed A.F.A. form on which you must specify as per "Warranty Bulletin 09-01".

Parts / Waste disposal:

- Discard waste according to applicable environmental regulations (Municipal/State[Prov.]/ Federal)

PART D

MATERIAL

Part No	Description	Qty
21139384	Cover, Louvered Diffuser	1
040748	Deflector	1
5001684	Nut, Cap	10

502573	Washer, Flat	10
--------	--------------	----

NOTE

Material can be obtained through regular channels.

PROCEDURE



DANGER

Park vehicle safely, apply parking brake, stop engine and set battery master switch(es) to the OFF position prior to working on the vehicle.

1. Unfasten 10 cap nuts fixing diffuser louvered cover.

NOTE

Heat up first to prevent breaking studs. If 2 studs or more are broken, diffuser needs replacement following procedure described in PART B.

2. Fix diffuser louvered cover (21139384) as well as warning plate onto diffuser using flat washers (502573) and cap nuts (5001684) (refer to fig. 1 or 2).

NOTE

Use anti-seize compound (680035) onto stud threads.

3. Fix new deflector (040748) onto Diesel Particulate Filter (DPF) compartment roof ventilation grill using roof ventilation grill fixing screws (refer to fig. 1 or 2).

WARRANTY

This modification is covered by Prevo's normal warranty. We will reimburse you the parts and three quarters of an hour (0.75) of labor upon receipt of a completed A.F.A. form on which you must specify as per "Warranty Bulletin 09-01".

Parts / Waste disposal:

- Discard waste according to applicable environmental regulations (Municipal/State[Prov.]/ Federal)

PART E

MATERIAL

Part No	Description	Qty
040748	Deflector	1

NOTE

Material can be obtained through regular channels.

PROCEDURE



DANGER

Park vehicle safely, apply parking brake, stop engine and set battery master switch(es) to the OFF position prior to working on the vehicle.

Fix new deflector (040748) onto Diesel Particulate Filter (DPF) compartment roof ventilation grill using roof ventilation grill fixing screws (refer to fig. 1 or 2).

WARRANTY

This modification is covered by Prevost's normal warranty. We will reimburse you the parts and half an hour (0.5) of labor upon receipt of a completed A.F.A. form on which you must specify as per "Warranty Bulletin 09-01".

Parts / Waste disposal:

- Discard waste according to applicable environmental regulations (Municipal/State[Prov.]/ Federal)

SECTION 2: X3-45 COACHES

Please refer to the following table to know the part applying to your coach

PART TO DO	VIN	
PART A	2PCG3349381729108 – 2PCG3349481729151	
PART B	2PCG334978C729259 – 2PCG334928C729282 – 2PCG334938C729288	
PART C	From 2PCG334908C729295 up to 2PCG334948C729431 incl.	

PART A

MATERIAL

Part No	Description	Qty
21102422	Diffuser	1
540067	Clamp, Holding	1
21139384	Cover, Louvered Diffuser	1
040745	Deflector	1
040599	Pipe, Drain	1
640873	Pipe Fitting	1
21139388	Plate, Warning	1
5001684	Nut, Cap	10
502573	Washer, Flat	10

NOTE

Material can be obtained through regular channels.

PROCEDURE



DANGER

Park vehicle safely, apply parking brake, stop engine and set battery master switch(es) to the OFF position prior to working on the vehicle.

1. Open Diesel Particulate Filter (DPF) compartment access door.
2. Remove DPF compartment roof ventilation grill and put aside (refer to fig. 3 or 4).
3. Remove diffuser holding clamp located above diesel particulate filter (refer to fig. 3 or 4).
4. Unfasten diffuser drain pipe fitting and then remove drain pipe (refer to fig. 3 or 4).

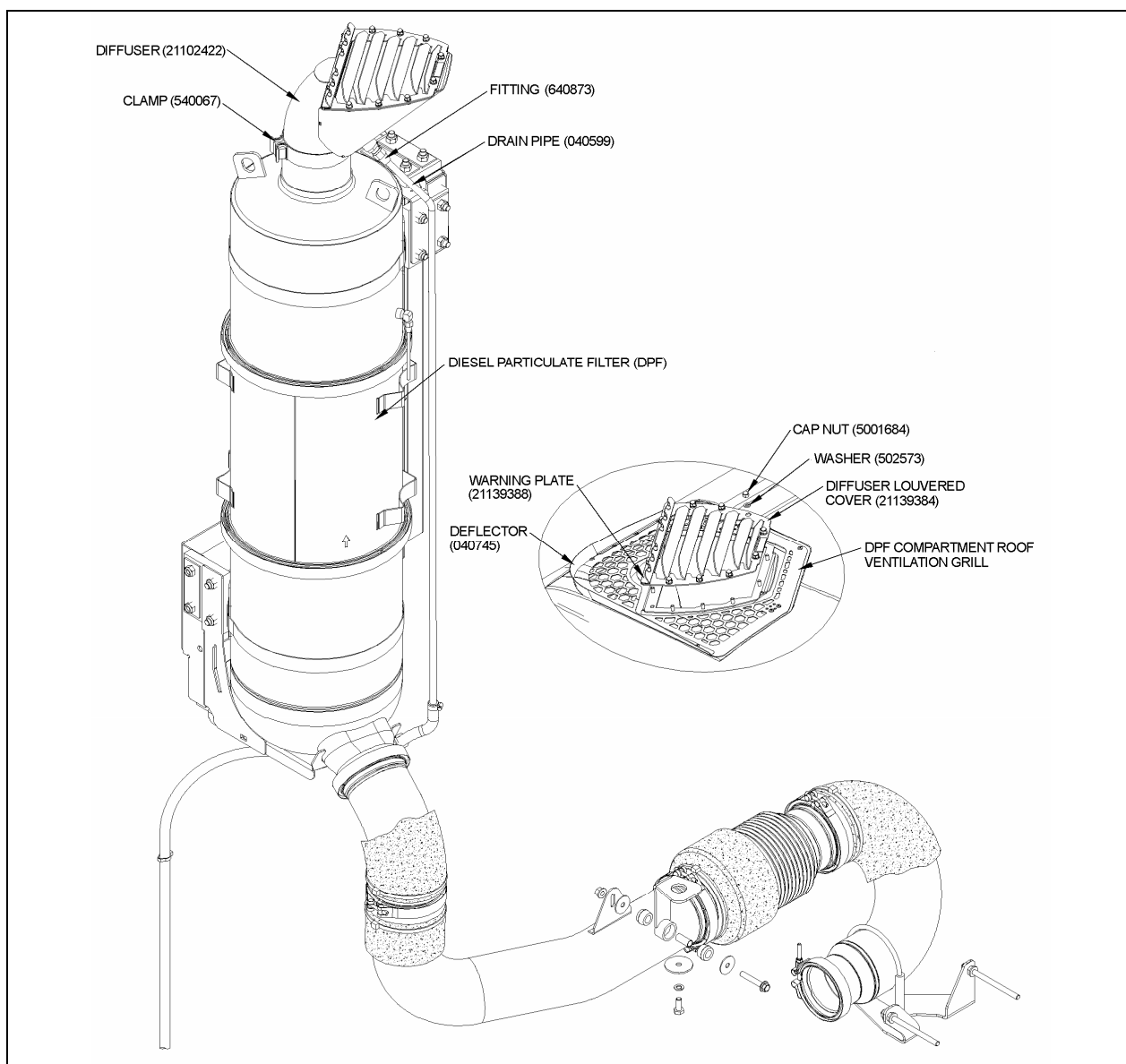


FIGURE 3: EXHAUST SYSTEM INSTALLATION WITH DDEC VI ENGINE

5. Replace current diffuser with diffuser (21102422) equipped with welded screen.
6. Position Diesel Particulate Filter (DPF) compartment roof ventilation grill and then fix new deflector (040745) and roof ventilation grill using screws (refer to fig. 3 or 4).
7. Secure diffuser using SS holding clamp (540067) (refer to fig. 3 or 4).



CAUTION

Height of diffuser must be adjusted so that it is flush with or exceeds by ¼ inch (6 mm) maximum the rear cap exterior surface.

8. Replace copper drain pipe with SS pipe (040599) and secure to diffuser using new pipe fitting (640873) (refer to fig. 3 or 4).
9. Fix diffuser louvered cover (21139384) as well as warning plate (21139388) onto diffuser using flat washers (502573) and cap nuts (5001684) (refer to fig. 3 or 4).

NOTE

Use anti-seize compound (680035) onto stud threads.

10. Inside engine compartment, check the length of the hose located at the end of the SS drain pipe. The length should not exceed 4 inches (100 mm) after the hose clamp. Make sure that hose orientation allows draining.

WARRANTY

This modification is covered by Prevest's normal warranty. We will reimburse you the parts and one and a half hour (1.5) of labor upon receipt of a completed A.F.A. form on which you must specify as per "Warranty Bulletin 09-01".

Parts / Waste disposal:

- Discard waste according to applicable environmental regulations (Municipal/State[Prov.]/ Federal)

PART B

MATERIAL

Part No	Description	Qty
21102422	Diffuser	1
21139384	Cover, Louvered Diffuser	1
040745	Deflector	1
640873	Pipe Fitting	1
21139388	Plate, Warning	1
5001684	Nut, Cap	10
502573	Washer, Flat	10

NOTE

Material can be obtained through regular channels.

PROCEDURE



DANGER

Park vehicle safely, apply parking brake, stop engine and set battery master switch(es) to the OFF position prior to working on the vehicle.

1. Open Diesel Particulate Filter (DPF) compartment access door.
2. Remove DPF compartment roof ventilation grill and put aside (refer to fig. 3 or 4).
3. Remove diffuser holding clamp located above diesel particulate filter (refer to fig. 3 or 4).
4. Unfasten diffuser drain pipe fitting (refer to fig. 3 or 4).

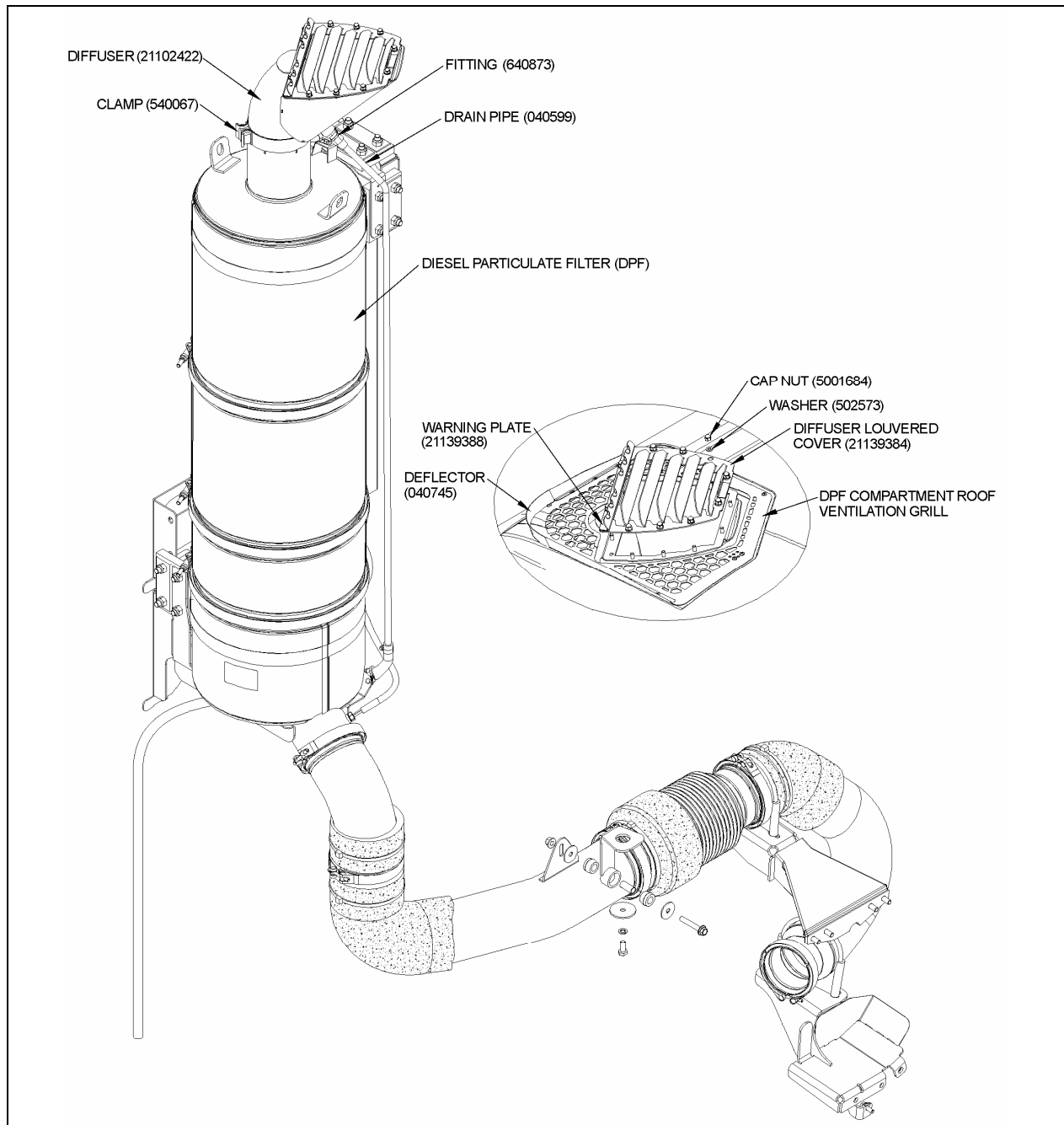


FIGURE 4: EXHAUST SYSTEM INSTALLATION WITH VOLVO D13 ENGINE

5. Replace current diffuser with diffuser (21102422) equipped with welded screen.
6. Position Diesel Particulate Filter (DPF) compartment roof ventilation grill and then fix new deflector (040745) and roof ventilation grill using screws (refer to fig. 3 or 4).
7. Secure diffuser using SS holding clamp (refer to fig. 3 or 4).



CAUTION

Height of diffuser must be adjusted so that it is flush with or exceeds by ¼ inch (6 mm) maximum the rear cap exterior surface.

8. Reconnect drain pipe to diffuser using pipe fitting (refer to fig. 3 or 4).
9. Fix diffuser louvered cover (21139384) as well as warning plate (21139388) onto diffuser using flat washers (502573) and cap nuts (5001684) (refer to fig. 3 or 4).

NOTE

Use anti-seize compound (680035) onto stud threads.

10. Inside engine compartment, check the length of the hose located at the end of the SS drain pipe. The length should not exceed 4 inches (100 mm) after the hose clamp. Make sure that hose orientation allows draining.

WARRANTY

This modification is covered by Prevost's normal warranty. We will reimburse you the parts and one hour (1.0) of labor upon receipt of a completed A.F.A. form on which you must specify as per "Warranty Bulletin 09-01".

Parts / Waste disposal:

- Discard waste according to applicable environmental regulations (Municipal/State[Prov.]/ Federal)

PART C

MATERIAL

Part No	Description	Qty
21139384	Cover, Louvered Diffuser	1
040745	Deflector	1
040755	Pipe Fitting equipped with strainer	1
5001684	Nut, Cap	10
502573	Washer, Flat	10

NOTE

Material can be obtained through regular channels.

PROCEDURE



DANGER

Park vehicle safely, apply parking brake, stop engine and set battery master switch(es) to the OFF position prior to working on the vehicle.

1. Open Diesel Particulate Filter (DPF) compartment access door.
2. Unfasten 10 cap nuts fixing diffuser louvered cover.

NOTE

Heat up first to prevent breaking studs. If 2 studs or more are broken, diffuser needs replacement following procedure described in PART B.

3. Unfasten diffuser drain pipe fitting (refer to fig. 3 or 4).
4. Install new pipe fitting equipped with strainer (040755) and then reconnect drain pipe to diffuser.
5. Fix diffuser louvered cover (21139384) as well as warning plate onto diffuser using flat washers (502573) and cap nuts (5001684) (refer to fig. 3 or 4).

NOTE

Use anti-seize compound (680035) onto stud threads.

6. Fix new deflector (040745) onto Diesel Particulate Filter (DPF) compartment roof ventilation grill using roof ventilation grill fixing screws (refer to fig. 3 or 4).
7. Close Diesel Particulate Filter (DPF) compartment access door.
8. Inside engine compartment, check the length of the hose located at the end of the SS drain pipe. The length should not exceed 4 inches (100 mm) after the hose clamp. Make sure that hose orientation allows draining.

WARRANTY

This modification is covered by Prevo's normal warranty. We will reimburse you the parts and three quarters of an hour (0.75) of labor upon receipt of a completed A.F.A. form on which you must specify as per "Warranty Bulletin 09-01".

Parts / Waste disposal:

- Discard waste according to applicable environmental regulations (Municipal/State[Prov.]/ Federal)