

PREVOST

ENREGISTRÉ - REGISTERED
ISO 9001 & ISO 14001


WARRANTY BULLETIN

Wb11-05



DATE : JUNE 2011	SECTION :	04 - Exhaust
EXPIRATION: JUNE 2013		
SUBJECT : EXHAUST PIPE ANGLE BRACKET INSPECTION		


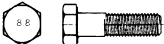
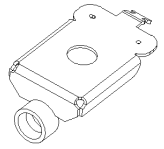
APPLICATION

Model	VIN	
H3-41, H3-45 Coaches Equipped with DDEC Series 60 or Volvo D13 US07 engines Model Year : 2008 up to 2010	2PCH334958 <u>1710855</u> - 2PCH334948 <u>8C710995</u> and From 2PCH334928 <u>C711045</u> up to 2PCH33491 <u>AC711625</u> incl.	
<p>This bulletin does not necessarily apply to all the above-mentioned vehicles, some vehicles may have been modified before delivery. The owners of the vehicles affected by this bulletin will be advised by a letter indicating the Vehicle Identification Number (VIN) of each vehicle concerned.</p>		

DESCRIPTION

On the vehicles affected by this bulletin, the bolt holding the exhaust pipe angle bracket to the ceiling of the engine compartment may come loose. The exhaust pipe could then start to move and vibrate causing the exhaust pipe to break. Adding a jam nut or replacing the angle bracket if damaged will eliminate the problem and increase the reliability of the installation.

MATERIAL

Part No.	Description	Identification	Qty
500847	Nut, (Jam) Hex N500 M10-1.5		1
502804	Bolt, Hex head M10-1.5 X 25 G8.8 ZG603		1
040892	Bracket, Angle		1

NOTE

Material can be obtained through regular channels.

PROCEDURE



DANGER

Park vehicle safely, apply parking brake, stop engine and set battery master switch(es) to the OFF position prior to working on the vehicle.

1. Open engine compartment door.
2. Set the starter selector switch to the OFF position.

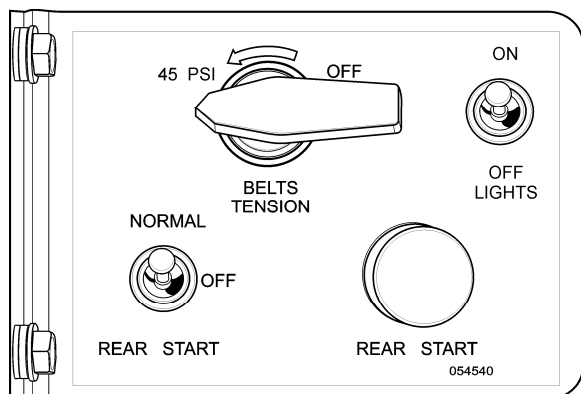


FIGURE 1: REAR START PANEL

3. Locate the exhaust pipe angle bracket.

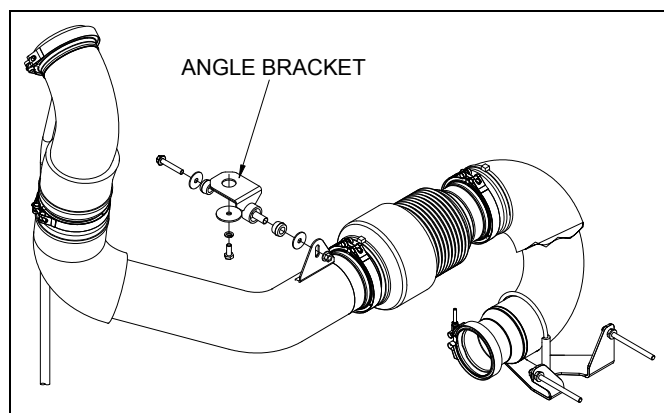


FIGURE 2: INSTALLATION WITH DDEC SERIES 60

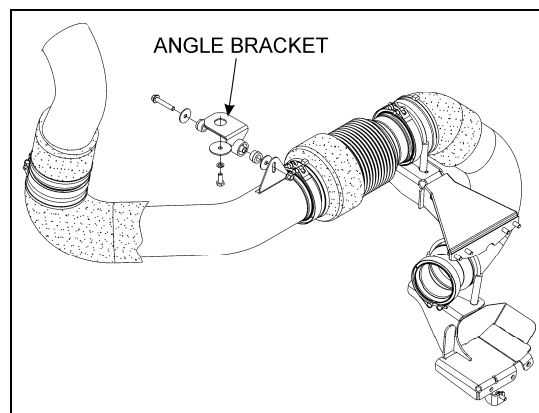




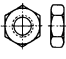
FIGURE 3: INSTALLATION WITH VOLVO D13

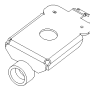


WARNING

Hot engine. Keep yourself clear of all hot engine parts and/or fluids. A hot engine part and/or fluid can cause serious burns.

4. Inspect the angle bracket to see if the fixing bolt is missing.
5. If the bolt is present, tighten the bolt and secure the assembly by adding a jam nut  (500847) on top of the nut.

6. If the bolt is missing, install a new bolt  (502804) and secure the assembly by adding a jam nut  (500847) on top of the nut.

7. If the angle bracket is damaged, it can be replaced with the new bracket  (040892).

WARRANTY

This modification is covered by Prevest's normal warranty. We will reimburse you the parts and a quarter hour (0.25) of labor upon receipt of a completed A.F.A. form on which you must specify as per "Warranty Bulletin 11-05".

Parts / Waste disposal:

Discard waste according to applicable environmental regulations (Municipal/State[Prov.]/ Federal)

OTHER

VBC Bulletin	N/A
Fail Code	04-03
Defect Code	16
System Condition	B
Causal Part	040892