

PREVOST

ENREGISTRÉ - REGISTERED
ISO 9001 & ISO 14001



**WARRANTY
BULLETIN**

Wb11-09

DATE : MAY 2011	SECTION :	18 - Body
EXPIRATION: MAY 2013		
SUBJECT : REPLACING CONDENSER COMPARTMENT DOOR TWO HINGES		

APPLICATION

Model	VIN
H3-41, H3-45 Coaches Model Year : 2011	
	2PCH33491 <u>BC711724</u> - 2PCH33493 <u>BC711725</u> - 2PCH33495 <u>BC711726</u>
	2PCH33497 <u>BC711727</u> - 2PCH33499 <u>BC711728</u> - 2PCH33490 <u>BC711729</u>
	2PCH33497 <u>BC711730</u> - 2PCH33499 <u>BC711731</u> - 2PCH33492 <u>BC711733</u>
	2PCH33494 <u>BC711734</u> - 2PCH33496 <u>BC711735</u> - 2PCH33498 <u>BC711736</u>
	2PCH3349X <u>BC711737</u> - 2PCH33491 <u>BC711738</u> - 2PCH33493 <u>BC711739</u>
	2PCH3349X <u>BC711740</u> - 2PCH33491 <u>BC711741</u> - 2PCH33493 <u>BC711742</u>
	2PCH33495 <u>BC711743</u> - 2PCH33497 <u>BC711744</u> - 2PCH33499 <u>BC711745</u>
	2PCH33490 <u>BC711746</u> - 2PCH33492 <u>BC711747</u> - 2PCH33494 <u>BC711748</u>
	2PCH33496 <u>BC711749</u> - 2PCH33492 <u>BC711750</u> - 2PCH33494 <u>BC711751</u>
	2PCH33496 <u>BC711752</u> - 2PCH33498 <u>BC711753</u> - 2PCH3349X <u>BC711754</u>
	2PCH33491 <u>BC711755</u> - 2PCH33493 <u>BC711756</u> - 2PCH33495 <u>BC711757</u>
	2PCH33497 <u>BC711758</u> - 2PCH33499 <u>BC711759</u> - 2PCH33495 <u>BC711760</u>
	2PCH33497 <u>BC711761</u> - 2PCH33494 <u>BC711765</u> - 2PCH33496 <u>BC711766</u>
	2PCH33498 <u>BC711767</u> - 2PCH33417 <u>BC711768</u> - 2PCH33419 <u>BC711769</u>
	2PCH3349X <u>BC711771</u> - 2PCH33493 <u>BC711773</u> - 2PCH33490 <u>BC711777</u>
<p>This bulletin does not necessarily apply to all the above-mentioned vehicles, some vehicles may have been modified before delivery. The owners of the vehicles affected by this bulletin will be advised by a letter indicating the Vehicle Identification Number (VIN) of each vehicle concerned.</p>	

DESCRIPTION

On the vehicles affected by this bulletin, there is a possibility that the condenser door hinge pivot weld be defective and result in breaking.

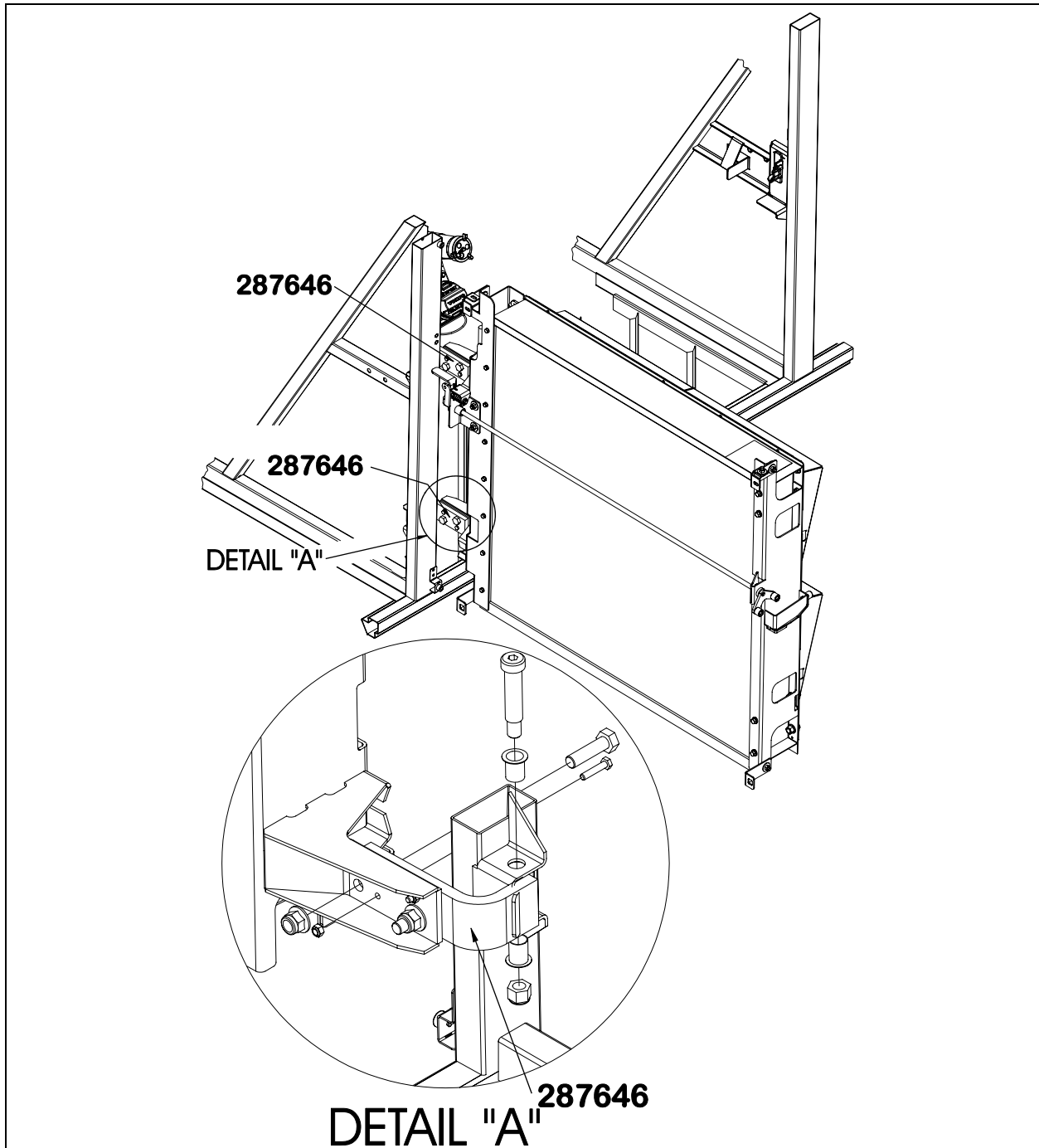
If breaking occurs when the door is opened, the condenser and door might fall down.

MATERIAL

Part No.	Description	Qty
287646	Hinge, Condenser Door	2

NOTE

Material can be obtained through regular channels.



PROCEDURE



DANGER

Park vehicle safely, apply parking brake, stop engine and set battery master switch(es) to the OFF position prior to working on the vehicle.

1. Open condenser door.
2. Safely support condenser door while replacing door hinges.

NOTE

Replace one hinge at a time.

3. Remove top hinge and replace with new part. Reinstall shims if applicable.



CAUTION

Make sure condenser door is safely supported at all times.

4. Remove bottom hinge and replace with new part. Reinstall shims if applicable.
5. Close condenser compartment door.
6. Check for proper operation of door hinges,

WARRANTY

This modification is covered by Prevost's normal warranty. We will reimburse you the parts and half an hour (0.5) of labor upon receipt of a completed A.F.A. form on which you must specify as per "Warranty Bulletin 11-09".

Parts / Waste disposal:

Discard waste according to applicable environmental regulations (Municipal/State[Prov.]/ Federal)

OTHER

VBC Bulletin	N/A
Fail Code	18-05
Defect Code	85
System Condition	B
Causal Part	287646