

PREVOST

ENREGISTRÉ - REGISTERED
ISO 9001 & ISO 14001

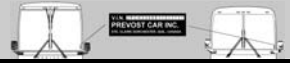
WARRANTY BULLETIN

Wb11-20



DATE : MAY 2011	SECTION : 18 - Body
EXPIRATION: MAY 2013	
SUBJECT : BELT ROUTING DECAL, OIL SPECIFICATION, COOLANT SPECIFICATION AND FUEL TANK SPECIFICATION DECALS	

APPLICATION

Model affected	Vehicle affected	
H3-45 Coach Model Year : 2010 - 2011	2PCH33498AC71 <u>1573</u>	2PCH3349XBC71 <u>1723</u>
	2PCH33496AC71 <u>1605</u>	2PCH33493BC71 <u>1725</u>
	2PCH33495AC71 <u>1627</u>	2PCH33495BC71 <u>1726</u>
	2PCH33496AC71 <u>1636</u>	2PCH33497BC71 <u>1727</u>
	2PCH33499BC71 <u>1695</u>	
X3-45 Coach Model Year : 2010 - 2011	2PCG33498AC72 <u>9907</u>	
	2PCG33491AC72 <u>9926</u>	
	2PCG33499BC72 <u>9965</u>	

DESCRIPTION

On the vehicles affected by this bulletin, please replace the existing decals by updated decals in the condenser compartment and engine compartment as described in the following procedure.

MATERIAL

For H3 series vehicles, order the following parts:

Part No.	Description	Qty
012699	Decal, belt routing	1
012702	Decal, engine oil	1
032916	Decal, fuel tank specification	1
053597	Decal, coolant type	1

For X3 series vehicles, order the following parts:

#Pièce No	Description	Qté
012698	Decal, belt routing	1
012702	Decal, engine oil	1
032918	Decal, fuel tank specification	1
053597	Decal, coolant type	1

NOTE

Material can be obtained through regular channels.



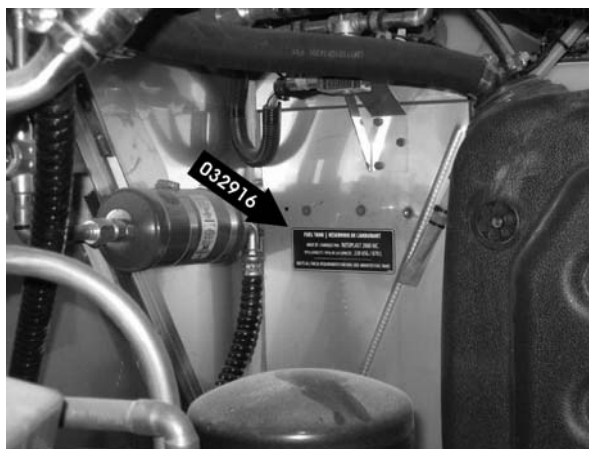
DANGER

Park vehicle safely, apply parking brake, stop engine and set battery master switch(es) to the OFF position prior to working on the vehicle.

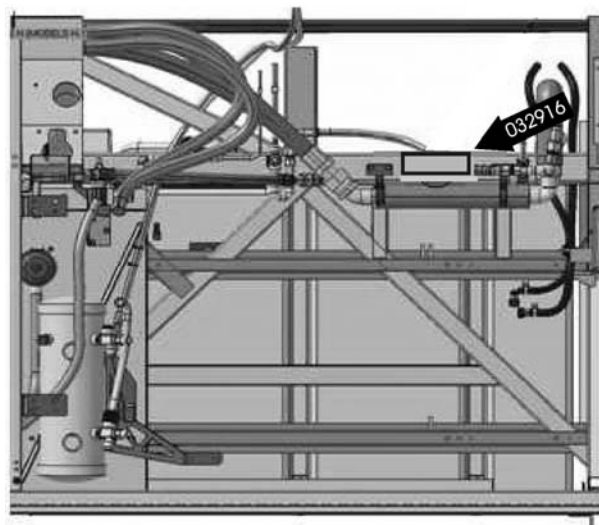
PROCEDURE • H3 SERIES VEHICLES

1. The fuel tank specification decal #032916 must be clearly visible in the condenser compartment. Affix this decal in the condenser compartment at the location shown on picture.

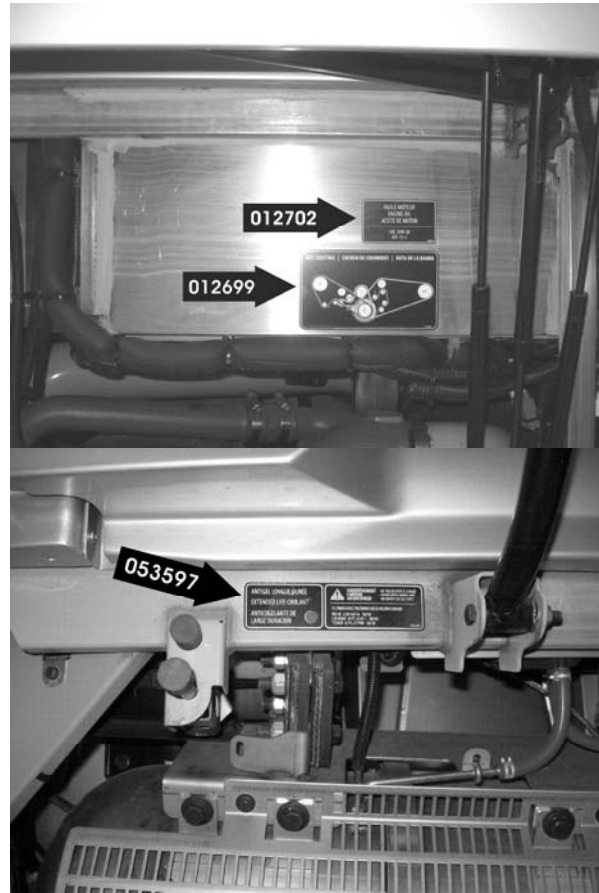
WITHOUT WHEELCHAIR LIFT ►



WITH WHEELCHAIR LIFT ►



2. Affix new belt routing decal #012699 at the upper right section of engine compartment as shown on picture, replacing former decal #019095. Do not leave decal #019095 in the engine compartment if it remains visible.
3. Affix new oil specification decal #012702 as shown on picture, replacing former decal #012399(eng/fr) or #012400 (eng/esp). Do not leave the existing decal in the engine compartment if it remains visible.
4. Affix new coolant specification decal #053597 as shown on picture, replacing former decal #053487(eng/fr) or #053488(eng/esp). Do not leave the existing decal in the engine compartment if it remains visible.



PROCEDURE • X3 SERIES VEHICLES

1. The fuel tank specification decal #032918 must be clearly visible in the condenser compartment. Affix this decal in the condenser compartment at the location shown on picture.



2. Affix new belt routing decal #012698 on the left engine compartment door as shown on picture, replacing former decal #019095. Do not leave decal #019095 on the door if it remains visible.



3. Affix new oil specification decal #012702 as shown on picture, replacing former decal #012399(eng/fr) or #012400 (eng/esp). Do not leave the existing decal in the engine compartment if it remains visible.



4. Affix new coolant specification decal #053597 as shown on picture, replacing former decal #0534787(eng/fr) or #053488(eng/esp). Do not leave the existing decal in the engine compartment if it remains visible.



WARRANTY

This modification is covered by Prevost's normal warranty. We will reimburse you the parts and one quarter of an hour (0.25) of labor upon receipt of a completed A.F.A. form on which you must specify as per **Warranty Bulletin 11-20**.

OTHER

Fail Code	18-00
Defect Code	55
System Condition	B
Causal Part	019095