

PREVOST

**WARRANTY
BULLETIN**

WB14-27

DATE :	APRIL 2014	SECTION :	18 - Body
EXPIRATION:	APRIL 2016		
SUBJECT :	CABLE INTERFERENCE WITH REAR DRIVE AXLE TRIPOD		

APPLICATION

<i>NOTICE TO SERVICE CENTERS</i>	
<i>Verify vehicle eligibility by checking warranty bulletin status with SAP or via ONLINE WARRANTY SYSTEM available on Service / Warranty tab of Prevost website.</i>	
Model	VIN
X3-45 coaches Model Year : 2014	From 2PCG33492EC73 5496 up to 2PCG33492EC73 5613 incl.
<p>This bulletin does not necessarily apply to all the above-mentioned vehicles, some vehicles may have been modified before delivery. The owners of the vehicles affected by this bulletin will be advised by a letter indicating the Vehicle Identification Number (VIN) of each vehicle concerned.</p>	

DESCRIPTION

On the vehicles affected by this bulletin, interference may occur between a cable bundle and part of the drive axle surrounding structure when suspension is completely lowered.

MATERIAL

Parts required for this bulletin, supply locally.

Part No.	Description	Qty
-	Nylon Cable ties	A/R

NOTE
Material can be obtained through regular channels.

PROCEDURE



DANGER

Park vehicle safely, apply parking brake, stop engine and set battery master switch(es) to the OFF position prior to working on the vehicle.

1. Deflate suspension air springs.
2. Lift vehicle using mobile column lifts. Make sure you are lifting the rear end by the drive axle.
3. Locate tripod above the drive axle. The tripod is a triangular arrangement of tubing with an anchor point for a radius rod.

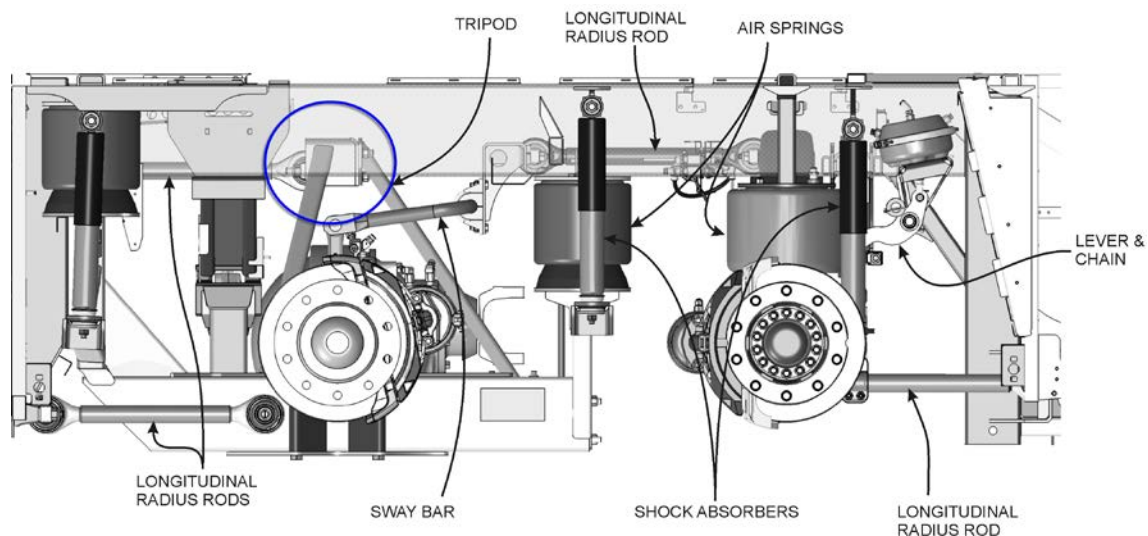


Figure 1

4. There may be an interference with the cables and tubes in this area, similar to figures 2, 3 and 4.



Figure 2 Side, looking towards curb side

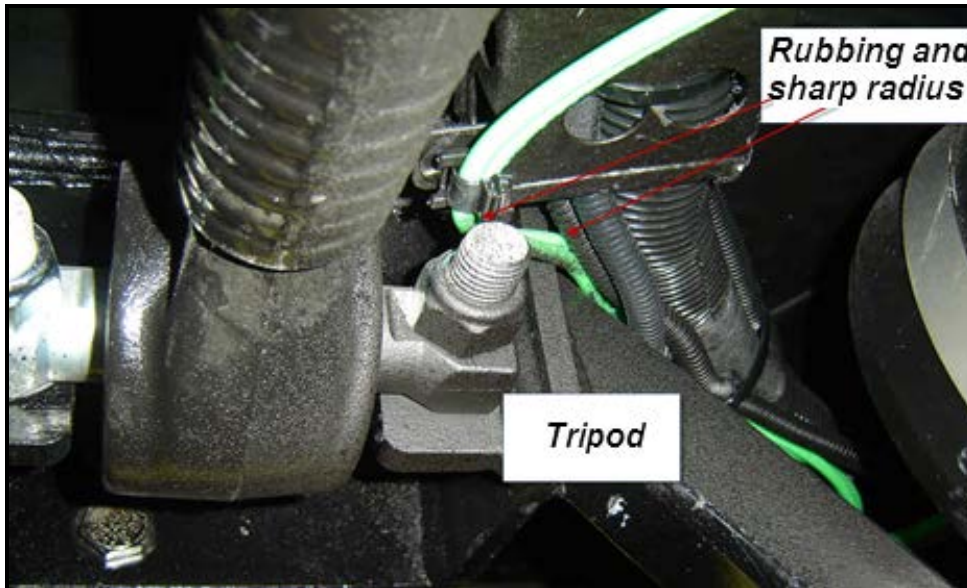


Figure 3 Front looking towards back

5. If there is contact, move cables above or below large corrugated tube and away from interference zone.

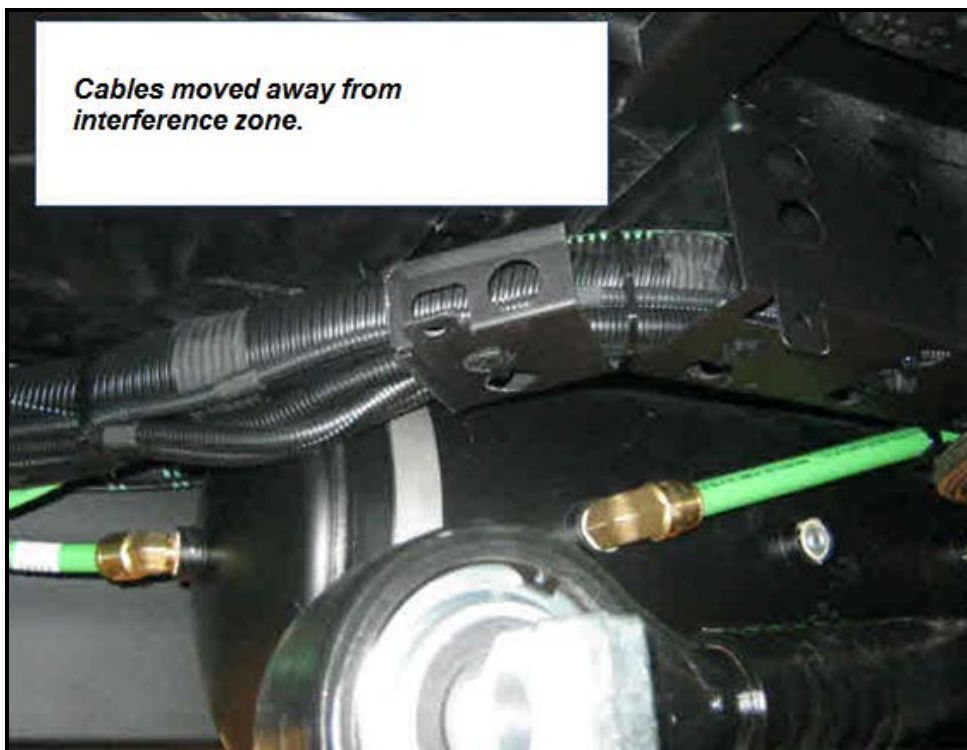


Figure 4

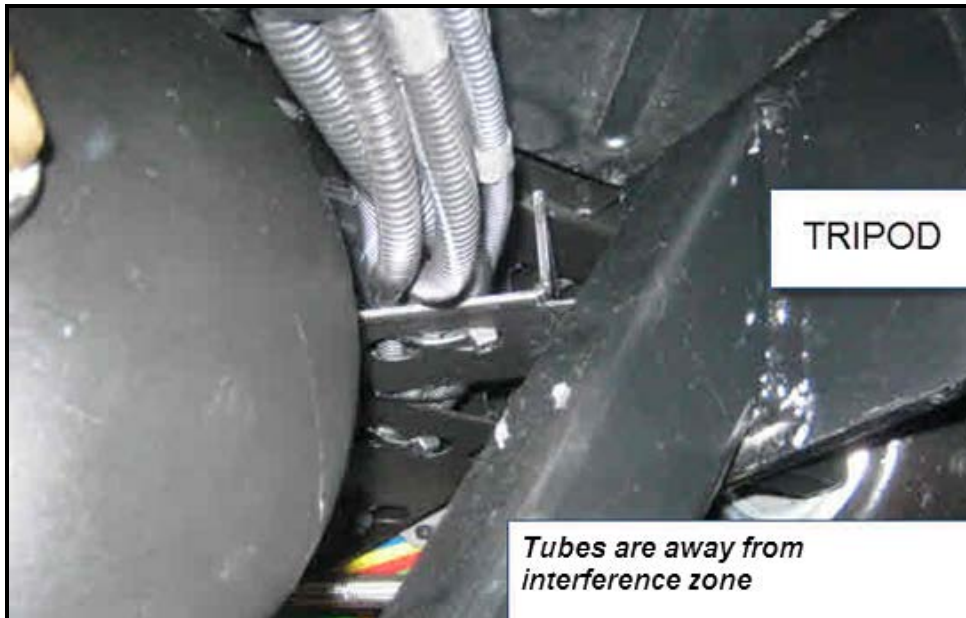


Figure 5

PARTS / WASTE DISPOSAL

DO NOT RETURN THE REPLACED PARTS. Discard waste according to applicable environmental regulations (Municipal/State[Prov.]/ Federal)

WARRANTY

This modification is covered by Prevo's normal warranty. We will reimburse you the parts and one hour (60 minutes) of labor upon receipt of a warranty claim. Please submit claim via our Online Warranty System, available at www.prevo.com (under Service \ Warranty section). Use Claim Type: "Bulletin/Recall" and select "Warranty Bulletin WB14-27".

OTHER

VBC Bulletin	N/A
Fail Code	18.00
Defect Code	09
Syst.Cond.	B
Causal Part	504750

Access all our Service Bulletins on
<http://prevostparts.volvo.com/technicalpublications/en/pub.asp>
or scan the QR-Code with your smart phone or tablet.

E-mail us at technicalpublications_prev@volvo.com and type
"ADD" in the subject to receive our warranty bulletins by e-mail.

