

PREVOST


WARRANTY BULLETIN

WB14-45B

DATE :	OCTOBER 2014	SECTION :	06 - Electrical
EXPIRATION:	OCTOBER 2016		
SUBJECT :	R49 "ACM RELAY" REMOVAL		

REVISION B: THIS WARRANTY BULLETIN SUPERSEDES PREVIOUS VERSION.
 Nov 04, 2014 H series extended to F-2751 & F-2742 (VIP) Ref: OC2014007.

APPLICATION

NOTICE TO SERVICE CENTERS <i>Verify vehicle eligibility by checking warranty bulletin status with SAP or via ONLINE WARRANTY SYSTEM available on Service / Warranty tab of Prevost website.</i>	
Model	VIN 
H3-45, H3-41 Coaches Model Year : 2013 - 2015	From 2PCH33499 <u>DC712365</u> up to 2PCH33491 <u>FC712751</u> incl. And single vehicles: 2PCH3349X <u>DC712146</u> , 2PCH33494 <u>DC712191</u> , 2PCH33494 <u>DC712272</u>
H3-45 VIP motorhomes Model Year : 2013 - 2014	From 2PCVS3490 <u>DC712369</u> up to 2PCVS3493 <u>FC712742</u> incl. And single vehicles: 2PCVS349X <u>DC712248</u>
X3-45 coaches Model Year : 2012 - 2014	From 2PCG33497 <u>EC735459</u> up to 2PCG33498 <u>EC735759</u> incl. And single vehicles: 2PCG33496 <u>CC735241</u> , 2PCG33499 <u>DC735316</u> , 2PCG33491 <u>DC735388</u> , 2PCG33492 <u>DC735433</u>
XLII-45 Entertainer Model Year: 2013	2PCY33491DC73 <u>5461</u> , 2PCYS3490DC73 <u>5468</u> , 2PCY33499DC73 <u>5479</u> , 2PCYS3498DC73 <u>5489</u>
X3-45 VIP motorhomes Model Year: 2013, 2014	From 2PCBS3493 <u>DC735485</u> up to 2PCBS3490 <u>EC735607</u> incl.
X3-45 VIP commercial use Model Year : 2014	From 2PCCS3497EC73 <u>5494</u> up to 2PCC33497EC73 <u>5721</u> incl.
This bulletin does not necessarily apply to all the above-mentioned vehicles, some vehicles may have been modified before delivery. The owners of the vehicles affected by this bulletin will be advised by a letter indicating the Vehicle Identification Number (VIN) of each vehicle concerned.	

DESCRIPTION

On the vehicles affected by this bulletin remove the ACM relay and base identified R49. Reconnect the 24V power wire and protect the remaining signal wires with shrink tube.

MATERIAL

Order kit WB14-45 which includes the following parts:

Part No.	Description	Qty
504637	CABLE TIE / 3/16" x 13"	2
560784	SHRINK TUBING / .250" - .125" / BLACK	4 in.
561918	SHRINK TUBING / .125" - .062" / BLACK	6 in.
562230	BUTT SPLICE / #12 - #10	1

NOTE

Material can be obtained through regular channels.

PROCEDURE



DANGER

Park vehicle safely, apply parking brake, stop engine and set battery master switch(es) to the OFF position prior to working on the vehicle.

1. Locate the rear electrical compartment.

On the vehicle, curb side (Right side), open the rear electrical compartment.

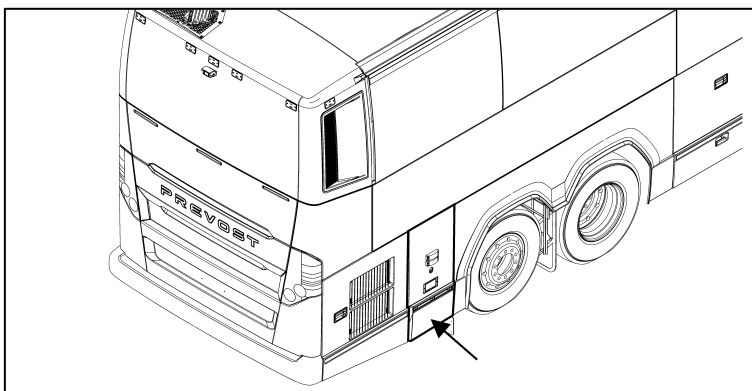


Figure 1: H Series

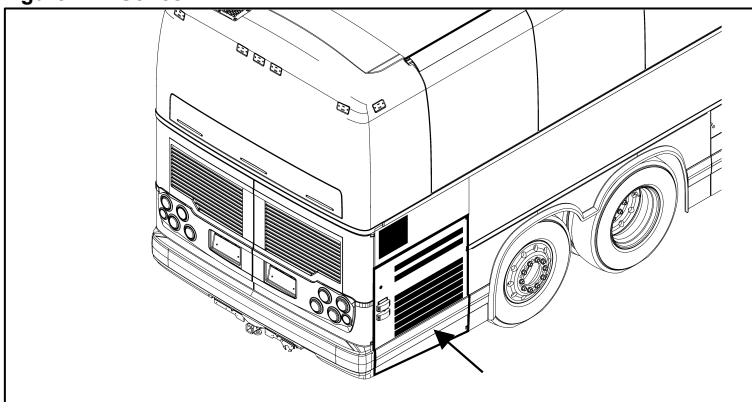


Figure 2: X Series

2. Locate R49 relay.

On *H series* vehicles, relay is located on the lower left section of the rear wall. (Fig. 3)

On *X series* vehicles, remove the vertical cover of the electrical compartment above the battery compartment.

Relay is located in the upper left corner of the electrical compartment. (Fig. 4)

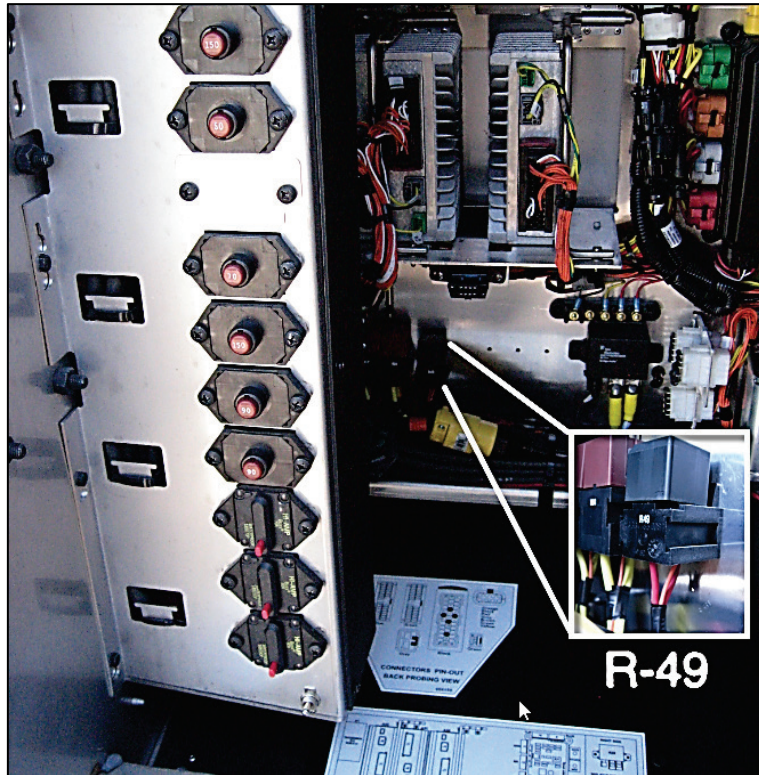


Figure 3 : H-series vehicles

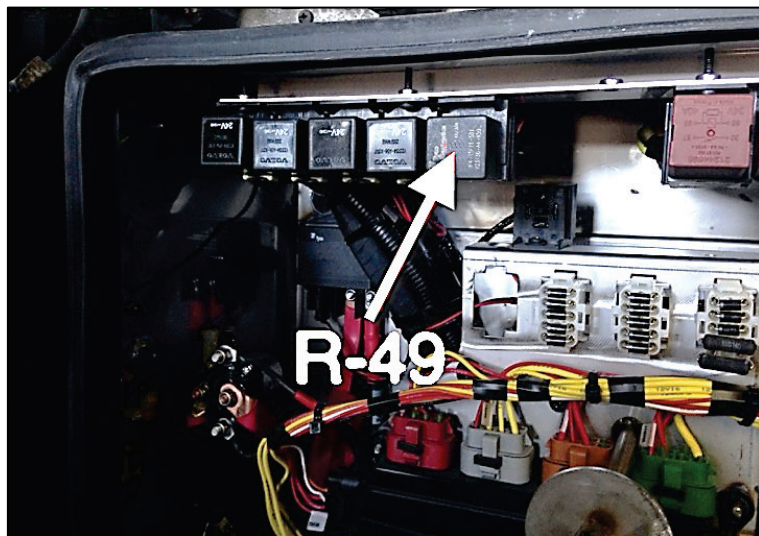


Figure 4 : X-series vehicles

3. Remove relay.

Disconnect wires and remove base.

Slide a 2 in. length of shrink tube # 560784 over one of the red **24VD8** cable.

Connect cables **24VD8** and **24VD8C** with butt splice terminal #562230.

Crimp and solder the connection.

Slide shrink tube over crimped terminal and heat to seal connection. (Fig. 5)

Protect remaining smaller gage wires 425 and 00B with 2 in lengths of shrink tube #561918. (Fig 5)

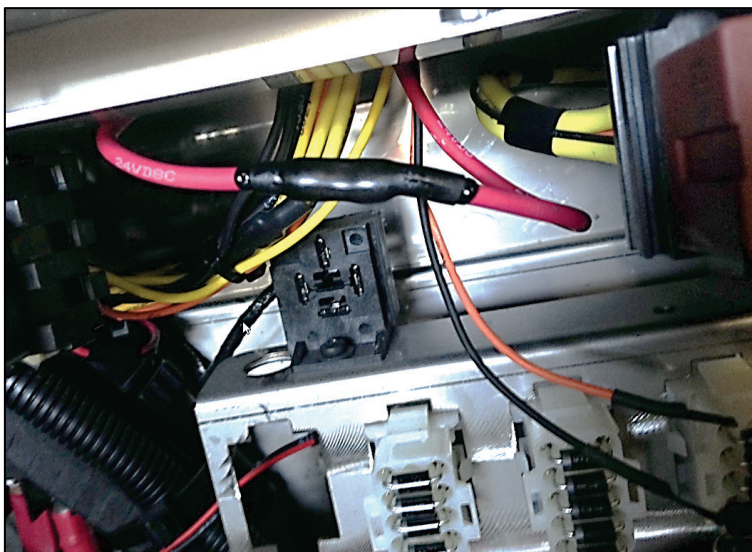


Figure 5: Heat shrink tube. X-Series shown

4. Decal Removal

Remove decal "ACM PWR RELAY ADDED" on compartment main decal.

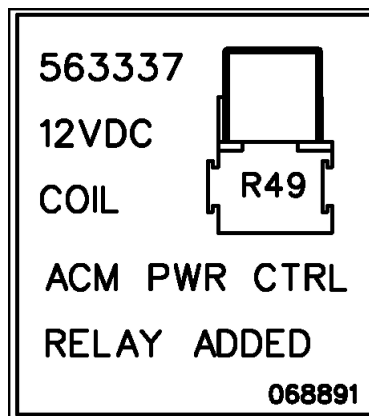


Figure 6 : Decal 068891I

PARTS / WASTE DISPOSAL

DO NOT RETURN THE REPLACED PARTS. Discard waste according to applicable environmental regulations (Municipal/State[Prov.]/ Federal)

WARRANTY

This modification is covered by Prevost's normal warranty. We will reimburse you the parts and half an hour (30 min) of labor upon receipt of a warranty claim. Please submit claim via our Online Warranty System, available at www.prevostcar.com (under Service \ Warranty section). Use Claim Type: "Bulletin/Recall" and select "Warranty Bulletin WB14-45".

OTHER

VBC Bulletin	N/A
Fail Code	06-00
Defect Code	09
Syst.Cond.	B
Causal Part	563337

Access all our Service Bulletins on
<http://prevostparts.volvo.com/technicalpublications/en/pub.asp>
or scan the QR-Code with your smart phone.

E-mail us at technicalpublications_prev@volvo.com and type
"ADD" in the subject to receive our warranty bulletins by e-mail.

