

PREVOST

Warranty Bulletin

95-09

Date: **April 1995**
Section: **16**
Subject: **Transversal Radius Rod on Tag Axle**
Application:

Model	VIN
H3-41 Coach, H3-45 Coach, H3-45 VIP Converted Coach Shell	2P9H33495S1001128 up to 2P9H33498S1001155 inclusively, as well as 2P9V33498S1001160, 2P9H33411S1001167, 2P9H33413S1001168, 2P9H33498S1001169, 2P9H33494S1001170, 2P9H33410S1001175
XL-45 Converted Coach Shell	2P9M33494S1001460 up to 2P9M33493S1001501 inclusively, as well as 2P9M33490S1001505, 2P9M33496S1001508, 2P9M33498S1001512, 2P9M33495S1001516, 2P9M33490S1001519
XL-40 Converted Coach Shell	2P9M33401R1001931 up to 2P9M3340XR1001992 inclusively, as well as 2P9M33402R1001999, 2P9M33402S1001405, 2P9M33403S1001421
XL-45E Converted Coach Shell ("Entertainer" Model)	2P9E33495R1001935 up to 2P9E33497R1001998 inclusively, as well as 2P9E3349XS1001404, 2P9E33497S1001408, 2P9E33494S1001443
XL-40 Coach	2P9L33409R1001932 up to 2P9L33404S1001441 inclusively

DESCRIPTION

On the above mentioned vehicles, it is possible that the transversal radius rod on tag axle has been made of gray cast-iron instead of ductile cast-iron. In this case, it is possible that a rupture happen on this radius rod. Therefore, you must verify this radius rod on your vehicle, and change it if necessary as described in the following procedure.

PROCEDURE

Step A: Inspecting the Radius Rod

Warning: Park vehicle safely, apply parking brake, stop engine and set battery disconnect switch(es) to the OFF position prior to working on the vehicle.

Prior to working under an air-suspended vehicle, it is strongly recommended to support the body at the recommended jacking points.

1. Under vehicle, in the rear axles section, locate tag axle transversal radius rod (Fig.1).
2. Verify casting date on the radius rod (Fig. 1 and Fig. 2), if it is 310394 or 160994, perform step B, otherwise, don't perform it.

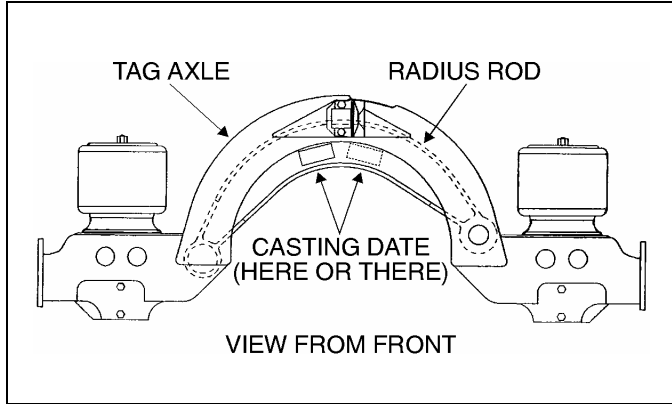


FIGURE 1

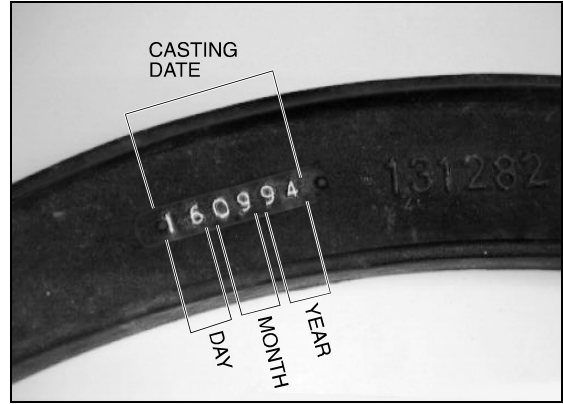


FIGURE 2

16020

MATERIAL

Note: Proceed with Step A of the procedure before ordering material. Order parts only if the replacement of the radius rod has to be done on your vehicle.

Part no	Description	Qty
131282*	Radius rod (On H3 Series vehicle, or XL-45 Converted Coach Shell except "Entertainer" model)	1
131304*	Radius rod (On XL-40 Coach, XL-40 Converted Coach Shell, or XL-45E Converted Coach Shell "Entertainer" model)	1
630021	Rubber Bushing	2
110340	Tab washer	2

***Note:** Radius rod could be different depending on your vehicle's model, order only the radius rod model that is suitable to your vehicle.

Step B: Replacing the Radius Rod

Warning: Park vehicle safely, apply parking brake, stop engine and set battery disconnect switch(es) to the OFF position prior to working on the vehicle.

Prior to working under an air-suspended vehicle, it is strongly recommended to support the body at the recommended jacking points.

1. Lightly spray inner and outer surfaces of bushing with water.

Note: No lubricant whatsoever is to be used on the rubber bushing.

2. Safely support the new radius rod, and place bushing on top of the radius rod end.
3. Place a wooden block on top of bushing and press on it manually (Fig. 3), use a hammer if necessary. Redo step 1 to 3 for the second bushing.
4. Under vehicle, in the rear axles area, locate tag axle transversal radius rod (Fig. 1).

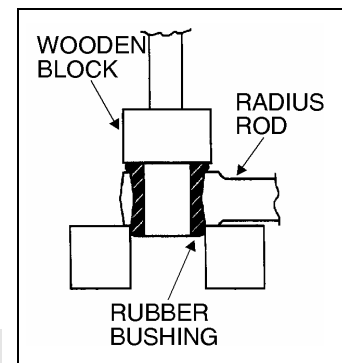


FIGURE 3

16021

Warning: Because radius rod is very heavy, take care during removal procedure.

5. On left end of radius rod, flatten the tab washer which secures the two retaining nuts, then unscrew the nuts and remove retaining plate (Fig. 4).
6. On the other end of radius rod, flatten tab washer which secures the two bolts, then unscrew them. (Fig. 5).
7. Unscrew the two bolts and nuts retaining radius rod support (Fig. 5), and remove radius rod.

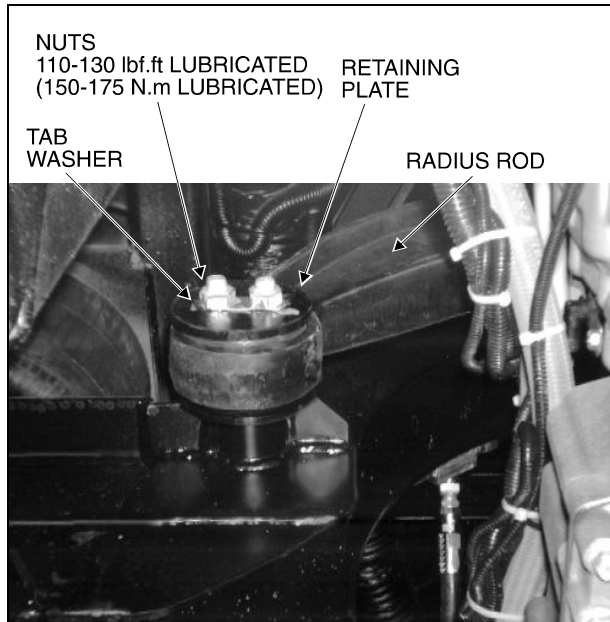


FIGURE 4

16022

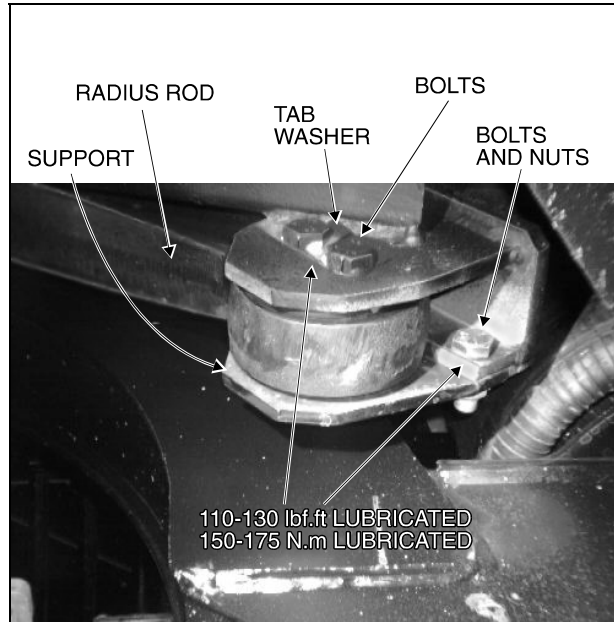


FIGURE 5

16023

Note: The radius rod must be returned to Prévost Car Inc. in order to be reimbursed. Do not discard.

8. Lightly spray the anchor pins with a water and soap solution, place the new radius rod over the anchor pins.

Note: Radius rod could be installed either way because it is symmetrical.

Note: It is necessary to apply oil on threads of all bolts and nuts before installing them because all torque are lubricated.

9. At right end, place support, fix it with bolts and nuts and tighten lightly. Place new tab washer, two bolts retaining radius rod, tighten bolts lightly.
10. At the other end, place retaining plate, new tab washer and nuts, tighten nuts lightly.

Caution: Before tightening bolts and nuts, it is extremely important that the suspension of the vehicle is set to the proper driving height (see "maintenance manual"). Otherwise, the rubber bushing in radius rod ends will become preloaded, thus reducing the life of these parts.

11. Torque all bolts and nuts to 110-130 lbf•ft lubricated (150-175 N•m lubricated). Fold tab washers over nuts or bolts, and apply an anti-seize compound on nuts.

GARANTIE

This modification is covered by the manufacturer's normal warranty. We will reimburse you the parts and three quarts hours (0,75) of labour upon receipt of the removed radius rod and and a completed A.F.A. form on which you must specify as per "Warranty Bulletin 95-09".

Expiration date: March 1996

Note: *Removed radius rod must be returned to a Prévost Car Inc. service center, at one of the following adress:*

Prévost Car Inc.
a/s Service Departement
35 Boul. Gagnon
Ste-Claire, Québec, CANADA, G0R 2V0

Prévost Car Inc. New Jersey
862 Valley Brook Ave.
Lyndhurst, NJ, USA, 07071

Prévost Car Inc. Florida
7451 Wilson Blvd.
Jacksonville, FL, USA, 32210

Prévost-Expar
124 Joey Drive
Elk Grove Village, IL, USA, 60007

Prévost Car Inc. California
22831 Frampton Ave.
Torrance, CA, USA, 90501