


PREVOST

Warranty Bulletin

95-21

Date: **June 1995**
Section: **18**
Subject: **SEDAN-TYPE ENTRANCE DOOR**
Application:

Model	VIN	
H3-41 Coach Model year: 1995	From 2P9H33417S1001058 up to 2P9H33416S1001245 incl., and 2P9H3341XS1001250, 2P9H33413S1001252, 2P9H33410S1001256	
H3-45 Coach Model year: 1994, 1995	From 2P9H33495R1001012 up to 2P9H33497R1001092 incl., from 2P9H33491S1001093 up to 2P9H33490S1001246 incl., and 2P9H3349XS1001254, 2P9H33495S1001257	

DESCRIPTION

The Prévost Car engineering department has recently made a modification to the operation of the sedan-type entrance door. The purpose of this modification is to improve reliability of this system, and it is possible for you to perform this modification on your own vehicle. We suggest you to do so by performing the following modification.

MATERIAL

Part No	Description	Qty
780559	Damper	1
285288	Pivot ½-13	1
285294	Support	1
500923	Screw, thread cutting ¼-20 X ¾	3
500473	Washer, lock split ¼	3
500925	Snap ring	2
640997	Elbow	2
501304	Plug	2

Note: Material can be obtained through regular channels.

PROCEDURE

Warning: Park vehicle safely, apply parking brake, stop engine and set battery master switch(es) to the OFF position prior to working on the vehicle.

1. Remove the two panels located right from the stepwell, as well as the door's upper hinge cover.
2. Unbolt door cylinder extremity from upper hinge.
3. With a container to recover fluid, remove the two tubes with fittings from door cylinder.

Note: The hydraulic system uses an antifreeze/water solution. Dispose of antifreeze in accordance with the municipal, provincial and federal regulation.

4. Push and pull piston rod completely 4-5 times to entirely purge cylinder from fluid. Finish with compressed air to clean the inside.
5. Use oil to lubricate cylinder rod end ball (Fig. 1), then bolt cylinder end on upper hinge.
6. Open front bumper compartment and remove spare tire (refer to *Maintenance Manual*, Section 18: *Body* and Section 13: *Wheels, Hubs & Tires*).
7. Locate pumping cylinder(s) on top of compartment. With a container to recover fluid, remove tubes from cylinder(s), then remove cylinder(s).
8. Remove the two 3/8" (10 mm) black hoses that were connected between the pumping cylinder(s) and the door cylinder, and discard them.
9. Find free extremities of the two 1/4" (6 mm) black hoses (from the two solenoid valves), cut the tubes to the appropriate length (2' (60 cm) for the door closing tube (upper solenoid valve) and 3' (90 cm) for the door opening tube (lower solenoid valve)) and connect elbow fittings (Prévost #640997) on each of the tube.
10. Apply a *Loctite 567* type thread sealant (Prévost #680098) on male threads of elbow fittings and plugs. Assemble fittings and plugs on door cylinder (Fig. 1).

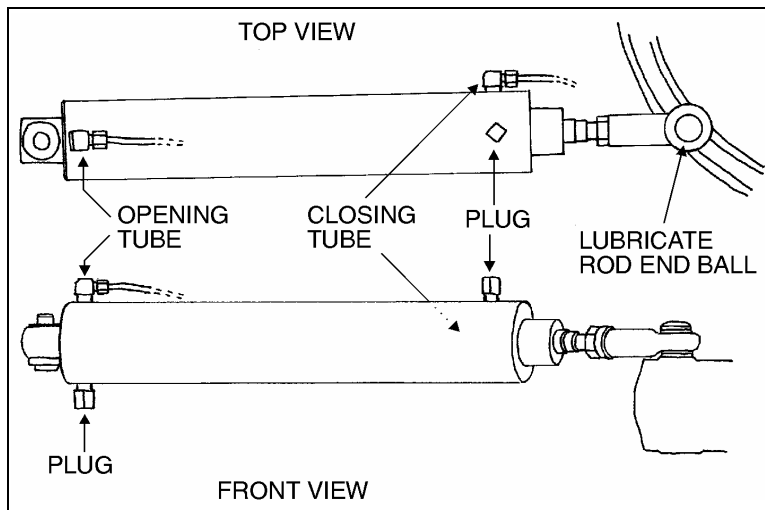


FIGURE 1

11. Mark vertical position of holes (Fig. 2) and, using bracket as template, mark horizontal position of the three holes, then drill them with a No 7 bit (.201). Install bracket using the three self tapping screws (Prévost #500923) and lock washers (Prévost #500473).

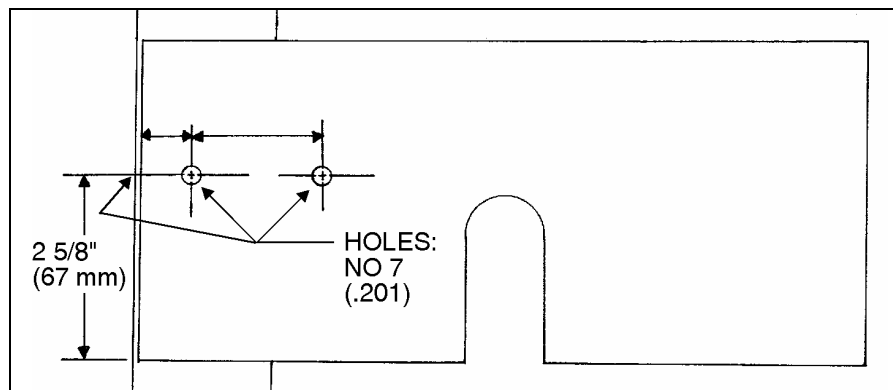


FIGURE 2

12. Screw pivot (Prévost #285288) in door hinge (Fig. 3).

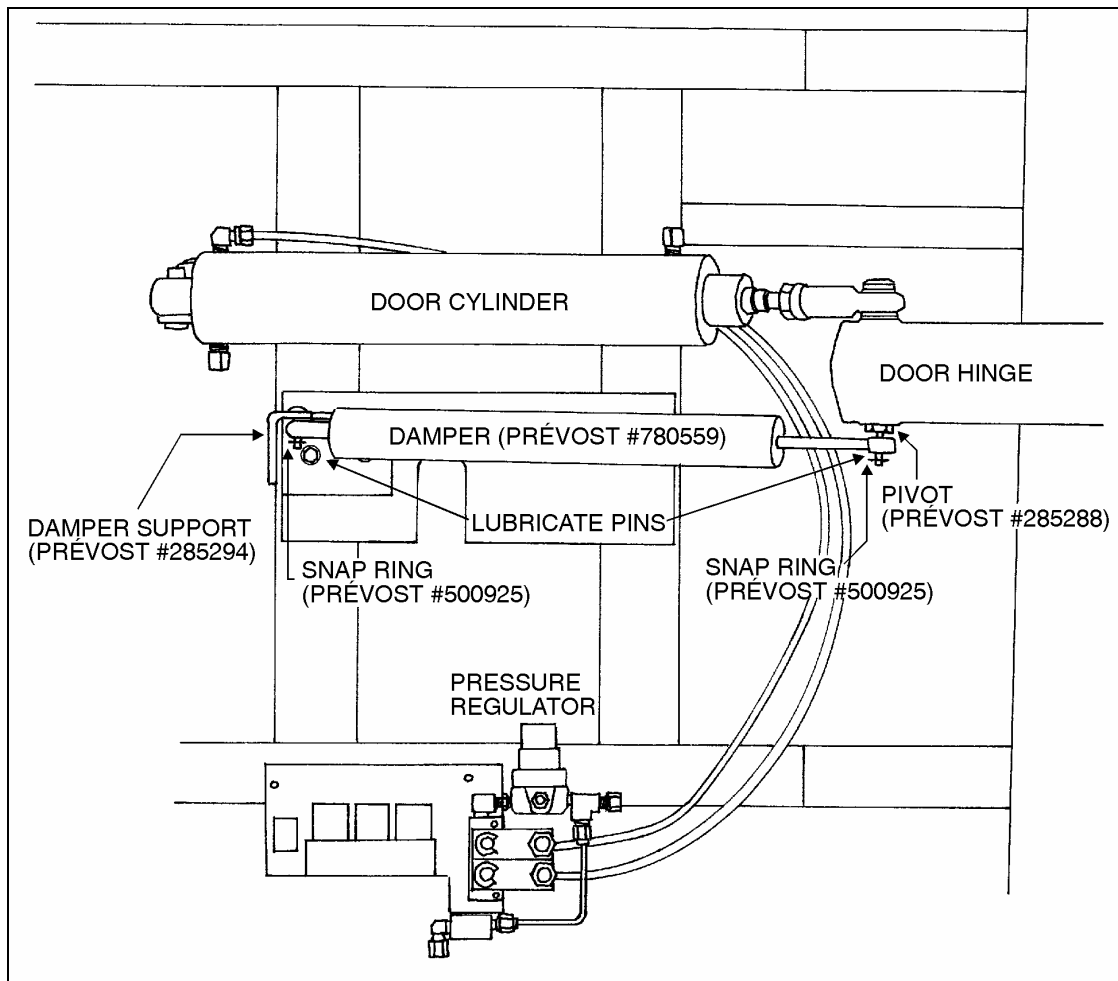


FIGURE 3

13. Lubricate the two pins on which damper will be installed with oil. Install damper (Prévost #780559) between support and door hinge with piston rod extremity on door side (Fig. 3). Install a snap ring (Prévost #500925) under each extremity of damper on pivots.

Caution: It is important to make sure that damper does not reach end of stroke when door is completely closed or opened. The door cylinder must stop the door on opening. Screw or unscrew rod end to adjust if necessary.

Note: Verify that air pressure is set to 70 psi, if not, it could be adjusted with the pressure regulator.

14. To adjust opening and closing cycles speeds on damper (Fig. 4): turn the dials one position, open and close the door, and repeat since desired opening and closing speeds of the door are obtained (best position are between 3 and 5 on the dials). Use the hexagonal key provided to lock the dials.

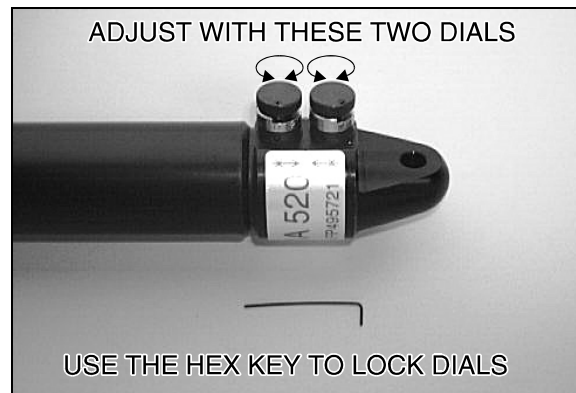


FIGURE 4

15. Reinstall panels and door hinge cover.

16. Cut rubber hinge protector as seen in figure 5 (view from under hinge protector).



FIGURE 5

17. Reinstall spare tire in front bumper compartment, then close compartment.

WARRANTY

This modification is covered by the manufacturer's normal warranty. We will reimburse you the parts and two hour(s) (2.0) of labor upon receipt of a completed A.F.A. form on which you must specify as per "Warranty Bulletin 95-21".

Expiration date: June 1996