



# PREVOST

## Warranty Bulletin

## 95-26

Date: **June 1995**  
 Section: **18**  
 Subject: **FOLDING SEATS ANCHORAGE**  
 Application:

Model	VINs		
H3-41 & H3-45 coaches equipped with wheelchair lift system and folding seats ----- Model Year: 1993 & 1995	2P9H33408P1001343, 2P9H3340XP1001344, 2P9H33401P1001345, 2P9H33405P1001347, 2P9H33408P1001357, 2P9H3340XP1001358,	2P9H33401P1001359, 2P9H33408P1001360, 2P9H3340XP1001361, 2P9H33401P1001362, 2P9H33403P1001363, 2P9H33405P1001364,	2P9H33495S1001128 2P9H33494S1001136 2P9H3349XS1001139 2P9H3349XS1001142 2P9H33498S1001155 2P9H33497S1001180 2P9H33498S1001186

### DESCRIPTION

In order to solidify vehicle folding seats anchorage, we ask you to perform the following modification.

### MATERIAL

Part no	Description	Qty
860874	3 points handle	2
363278	Anchor link	2
404093	Sticker (english)	2
404094	Sticker (french)	2

**Note:** Material quantity listed above are require to modify (1) folding seat assembly (Fig.1). Material can be obtained through regular channels.

### PROCEDURE (FIGURE 1)

**Warning:** Park vehicle safely, apply parking brake, stop engine and set battery master switch(es) to the OFF position prior to working on the vehicle.

1. Remove old assembly parts in the column CAM AND ADJUSTABLE ROD ANCHORAGE listed bellow.
2. Add parts in the column SCREW ANCHORAGE listed bellow to obtain the new anchorage assembly.
3. Apply the new stickers.

Description	<u>OLD PARTS</u> CAM AND ADJUSTABLE ROD ANCHORAGE <u>PRÉVOST #</u>	Part no Figure 1	<u>NEW PARTS</u> SCREW ANCHORAGE  <u>PRÉVOST #</u>	Part no Figure 1
Handle	363459	1	---	---
3 points handle	---	---	860874	5
Adjustable anchor rod	363278	4	---	---
Anchor rod (modify)	---	---	363278	6
Jam nut	500783	2	---	---

Coupling nut	5001211	3	---	---
English sticker	---	---	404093	7
French sticker	---	---	404094	8

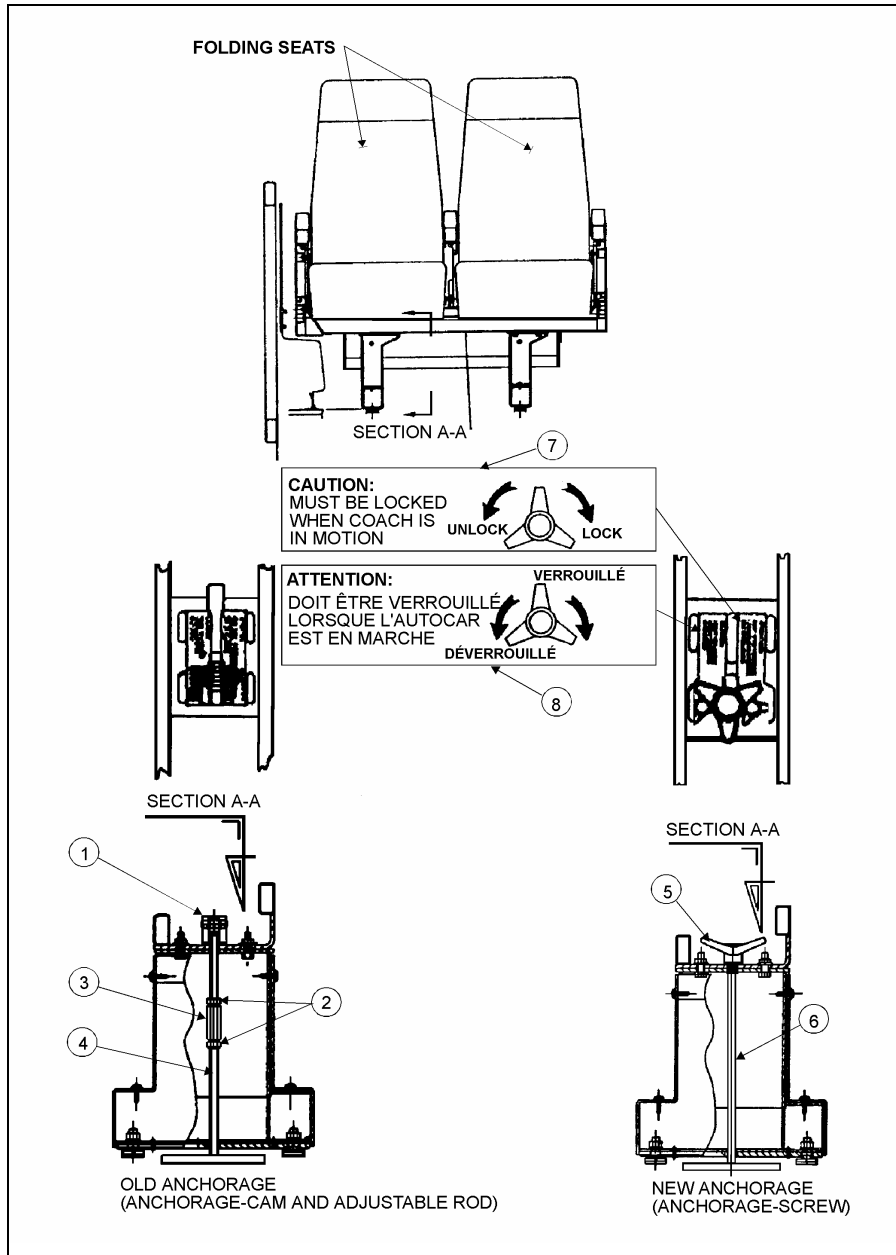


FIGURE 1: MODIFICATION TO FOLDING SEATS ANCHORAGE

18157

## WARRANTY

This modification is covered by the manufacturer's normal warranty. We will reimburse you the parts and half an hour (0,5) of labor upon receipt of a completed A.F.A. form on which you must specify as per "warranty bulletin 95-26".

Expiration date: June 1996