

PREVOST

**WARRANTY
BULLETIN**

Wb98-07



DATE : June 1998	SECTION : 22
SUBJECT : USE OF THERMOSTAT TO CANCEL ALL A/C MODULE FUNCTIONS	

APPLICATION

Model	VIN
H3-41, H3-45 and VIP-45 Vehicles Model Year: 1995 - 1998	<p>From 2P9H33495S1001128 up to 2PCV33494W1012284 incl. except 2PCH33494W1012234</p>

DESCRIPTION :

On the above-mentioned vehicles, the air intake duct thermostat located in the HVAC compartment is used to cancel all A/C module functions in order to extend the life span of 05G A/C compressor.

H3-41, H3-45 AND VIP-45 VEHICLES

FROM 2P9H33495S1001128 UP TO 2PCH33498V1011778

Warning : Park vehicle safely, apply parking brake, stop engine and set battery master switch(es) to the OFF position prior to working on the vehicle.

FIRST PART

MATERIAL

Part No.	Description	Qty
373444	Thermostat, with bracket and connector	1

Note : Material can be obtained through regular channels.

PROCEDURE

1. Open the HVAC compartment door (refer to fig. 1).

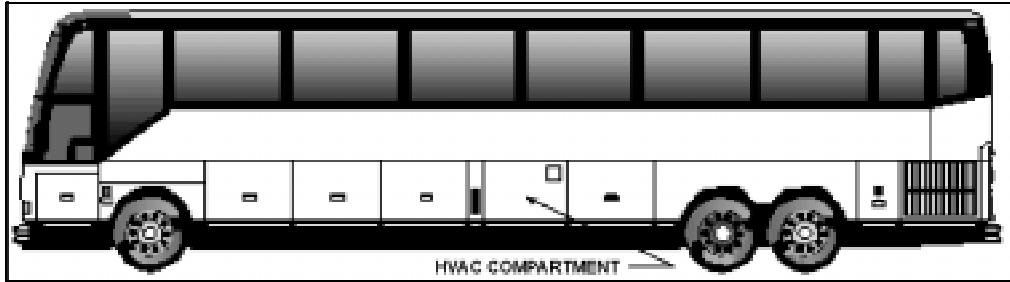


FIGURE 1 : H3-45

22106

- Using a hollow drill, drill a 1 5/8" hole in the center of the air intake duct. Enlarge the hole if needed to insert the thermostat (Prévost #373444). Secure using two 3/4" - 8 screws (Prévost #500641) and apply silicone if necessary for sealing (refer to fig. 2).



FIGURE 2 : THERMOSTAT INSTALLATION IN HVAC COMPARTMENT

22107

- If vehicle was already equipped with a thermostat, disconnect C151 connector from wire of former thermostat and fix temporarily to the thermostat.

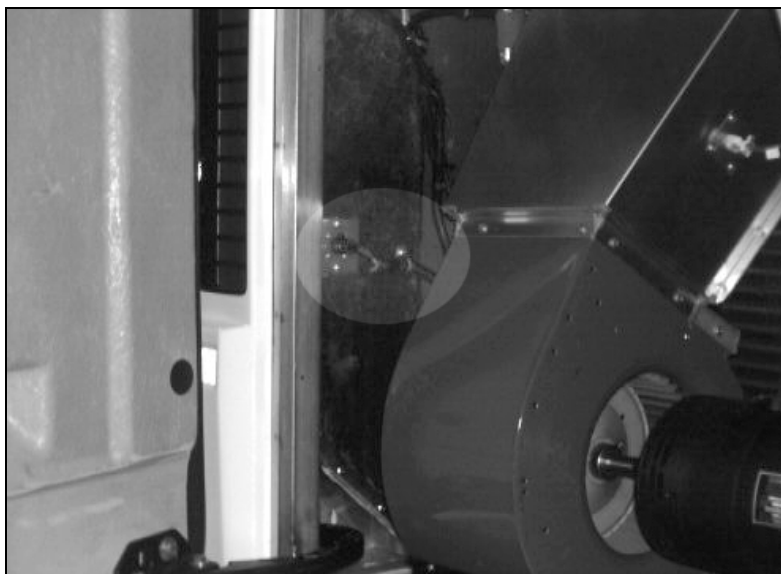


FIGURE 3 : THERMOSTAT INSTALLATION IN HVAC COMPARTMENT

22108

SECOND PART

MATERIAL

Part No.	Description	Qty
064771	Cable assembly	1
064772	Cable assembly	1

Note : Material can be obtained through regular channels.

PROCEDURE

1. Open condenser compartment door.
2. Remove A/C junction box cover (refer to fig. 4).

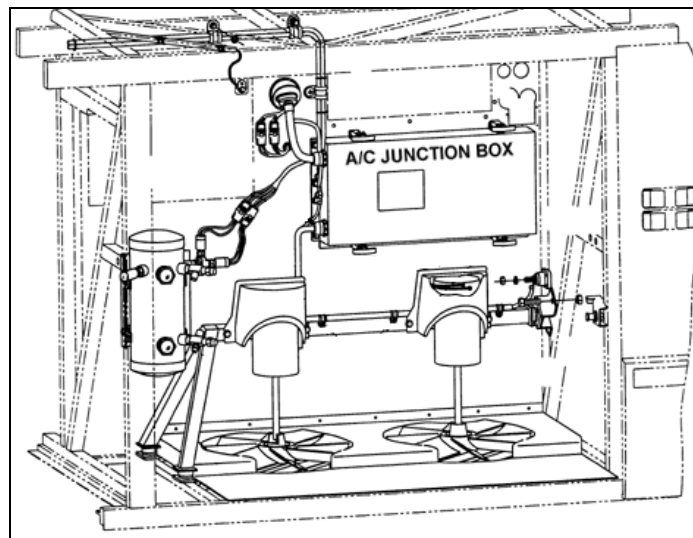


FIGURE 4 : A/C JUNCTION BOX

3. Disconnect C139 connector from A/C logic module (refer to fig. 5). Connect C139M connector of cable assembly (Prévost #064771) with A/C logic module and C139 connector with connector previously installed. Refer to wiring diagram D060869 P. 18 Rev. 028.

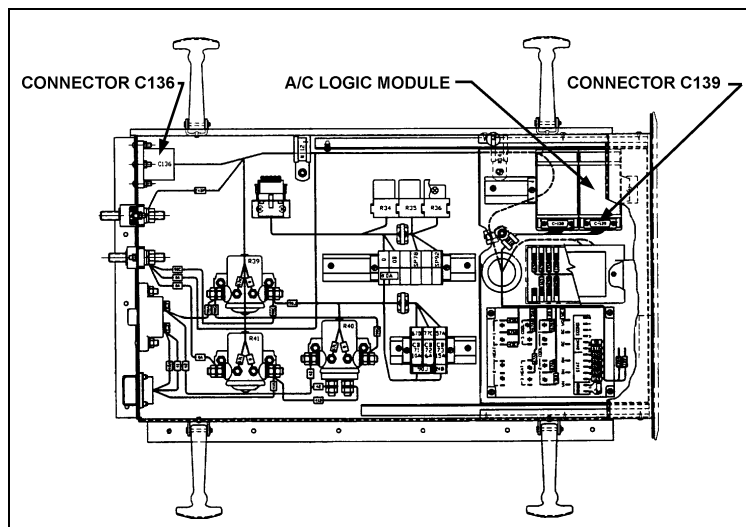


FIGURE 5 : A/C JUNCTION BOX CONNECTORS

4. Insert pin 36 of wire 2M and pin 37 of wire 2B into the appropriate housing of C136 connector. Secure cable assembly inside A/C junction box using cable ties.
5. Starting from A/C condenser compartment, route cable assembly (Prévoist #064772) through cuff end bellows then through cable duct located between A/C condenser compartment and HVAC compartment (refer to fig. 6). Connect two pins of cable assembly with C136 connector inside A/C condenser compartment and connect cable assembly C151 connector with connector that was previously temporarily fixed (not used if the vehicle was not equipped with a thermostat), also connect cable assembly C550 connector with new thermostat located inside HVAC compartment. Secure cable assembly using cable ties.

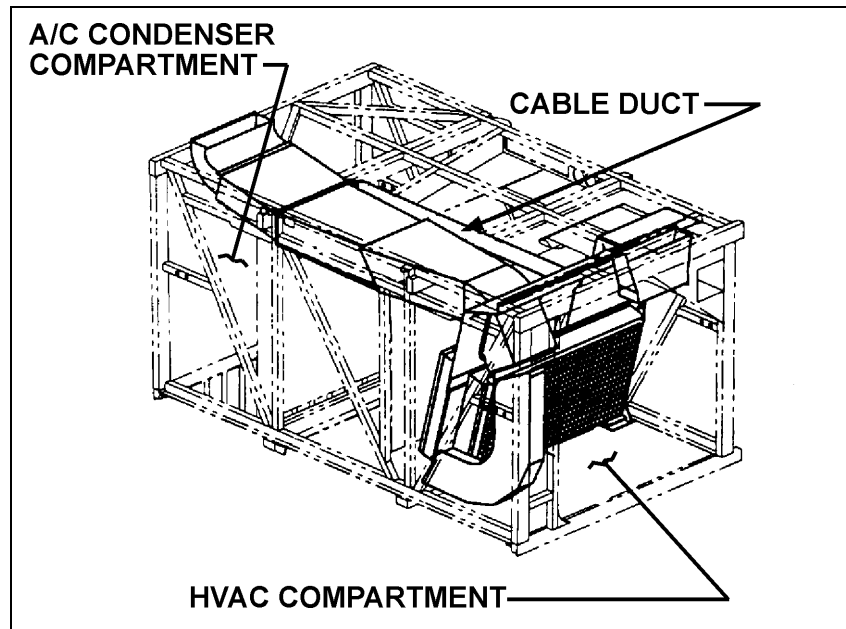


FIGURE 6 : CABLE DUCT

WARRANTY

This modification is covered by the manufacturer's normal warranty. We will reimburse you the parts and one and a half hour (1.5) of labor upon receipt of a completed A.F.A. form on which you must specify as per "Warranty Bulletin 98-07".

Parts disposition :

- Discard according to applicable environmental regulations (Municipal/State[Prov.]/ Federal)

Expiration date : June 1999

H3-41, H3-45 AND VIP-45 VEHICLES

FROM 2PCH3349XV1011779 UP TO 2PCH33494W1012203

Warning : Park vehicle safely, apply parking brake, stop engine and set battery master switch(es) to the OFF position prior to working on the vehicle.

MATERIAL

Part No.	Description	Qty
064750	Cable assembly	1

Note : Material can be obtained through regular channels.

PROCEDURE

1. Open HVAC compartment door and rear electrical compartment door (refer to fig. 7).

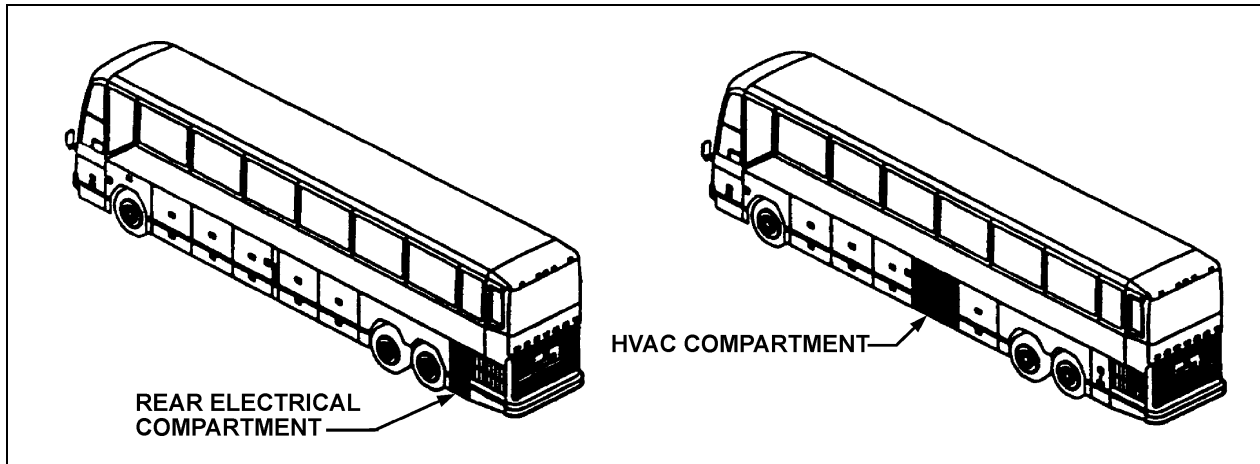


FIGURE 7 : REAR ELECTRICAL COMPARTMENT AND HVAC COMPARTMENT

Note : Verify in rear electrical compartment if relay R102 was installed (refer to fig. 8), if so, complete procedure for vehicles serial numbers comprised between W-2204 and W-2284. If relay was not installed, go on with the present procedure.

2. From inside rear electrical compartment, disconnect C139 connector from A/C module (refer to fig. 8). Connect cable assembly (Prévost #064750) C139M connector with A/C module and C139 connector with connector just disconnected from module. Refer to wiring diagram D060882 P. 13.1 Rev. 07.

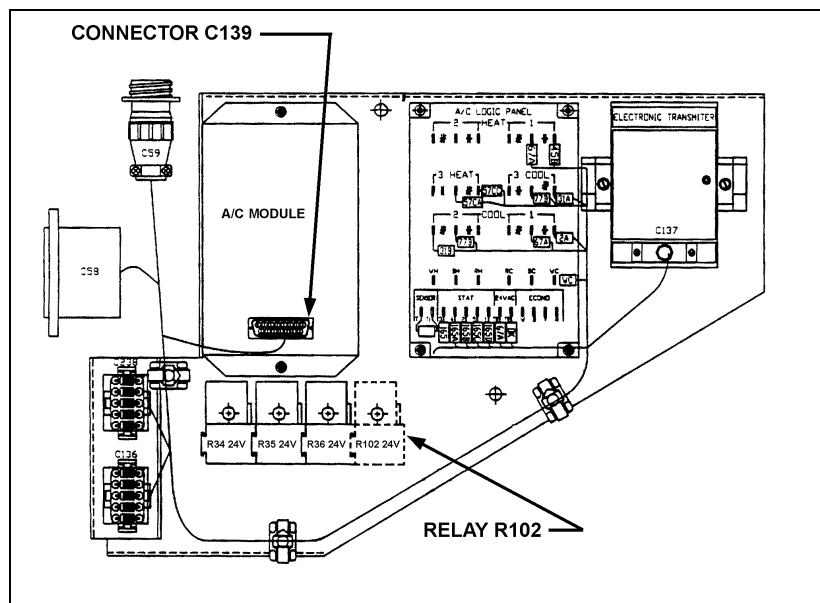


FIGURE 8 : REAR ELECTRICAL COMPARTMENT A/C JUNCTION PANEL

- Starting from rear electrical compartment, route cable assembly (Prévost #064750) through cuff end bellows then through cable duct located above wheel housing (refer to fig. 9). Secure cable assembly inside rear baggage compartment, route cable assembly through cuff end bellows then inside HVAC compartment up to the thermostat. Disconnect connector from thermostat, connect cable assembly C151 connector with connector that was installed onto the thermostat, also connect cable assembly C550 connector with thermostat located inside HVAC compartment. Secure cable assembly using cable ties.

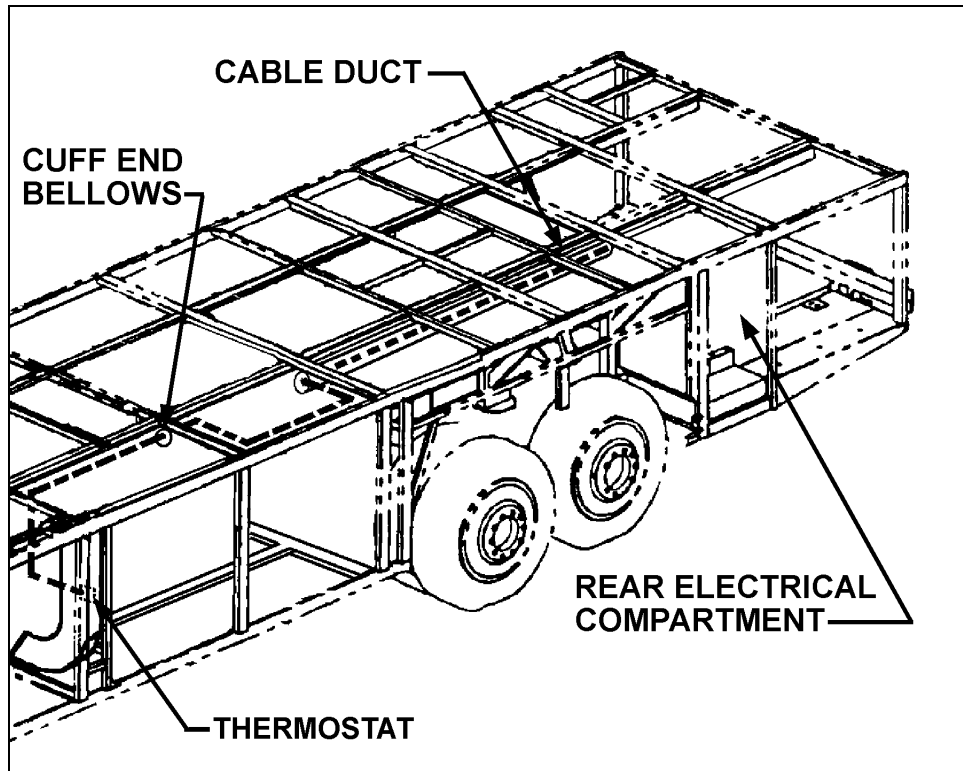


FIGURE 9 : CABLE ASSEMBLY 064750 CABLE ROUTING

WARRANTY

This modification is covered by the manufacturer's normal warranty. We will reimburse you the parts and one hour (1.0) of labor upon receipt of a completed A.F.A. form on which you must specify as per "Warranty Bulletin 98-07".

Parts disposition :

- Discard according to applicable environmental regulations (Municipal/State[Prov.]/ Federal)

Expiration date : June 1999

H3-41, H3-45 AND VIP-45 VEHICLES

FROM 2PCH33496W1012204 UP TO 2PCV33494W1012284

Warning : Park vehicle safely, apply parking brake, stop engine and set battery master switch(es) to the OFF position prior to working on the vehicle.

MATERIAL

Part No.	Description	Qty
064773	Cable assembly	1

Note : Material can be obtained through regular channels.

PROCEDURE

1. Open rear electrical compartment door (refer to fig. 7).
2. From inside rear electrical compartment, disconnect C139 connector from A/C module (refer to fig. 10). Connect cable assembly (Prévost #064773) **C139M** connector with A/C module and **C139** connector with connector just disconnected from module, use cable-ties for connectors attachment to prevent them from disconnecting because of vibrations. Refer to wiring diagram D060882 P. 13.1 Rev. 08.
3. Disconnect rear junction panel C551 connector (refer to fig. 10), connect cable assembly **C551J** connector with male part of C551 connector and connect cable assembly **C551** connector with female part of C551 connector and cable coming from thermostat. Secure cable assembly using cable ties.

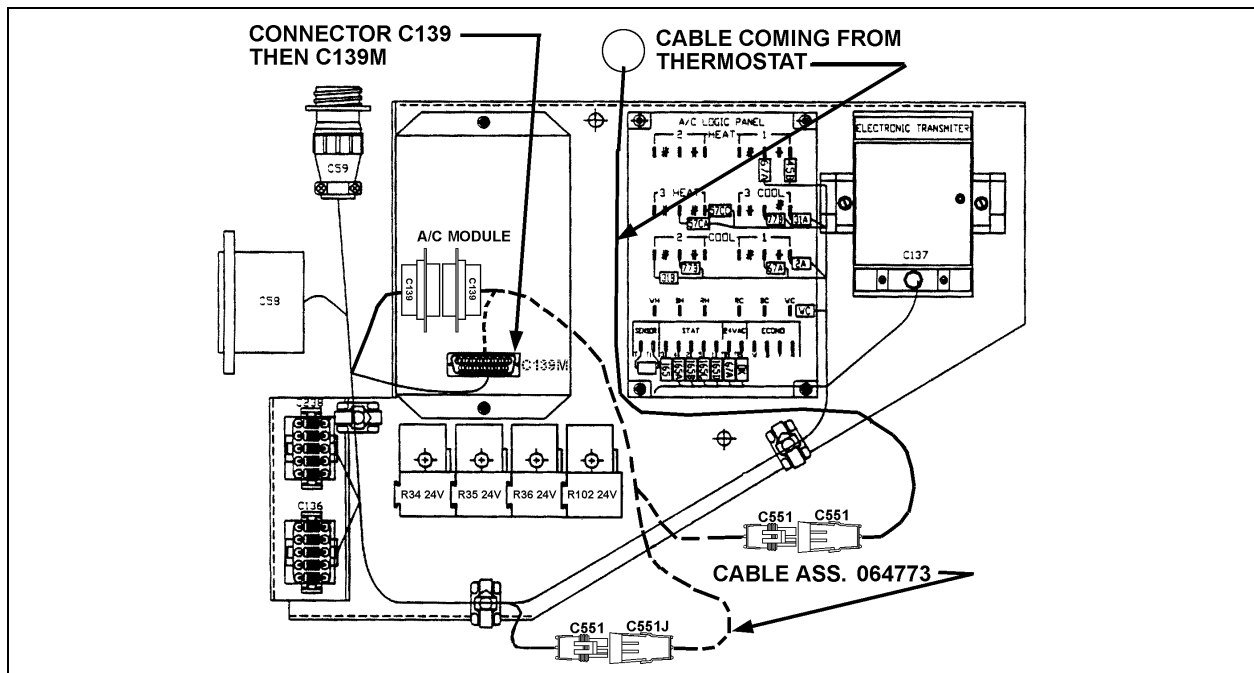


FIGURE 10 : REAR ELECTRICAL COMPARTMENT A/C JUNCTION PANEL

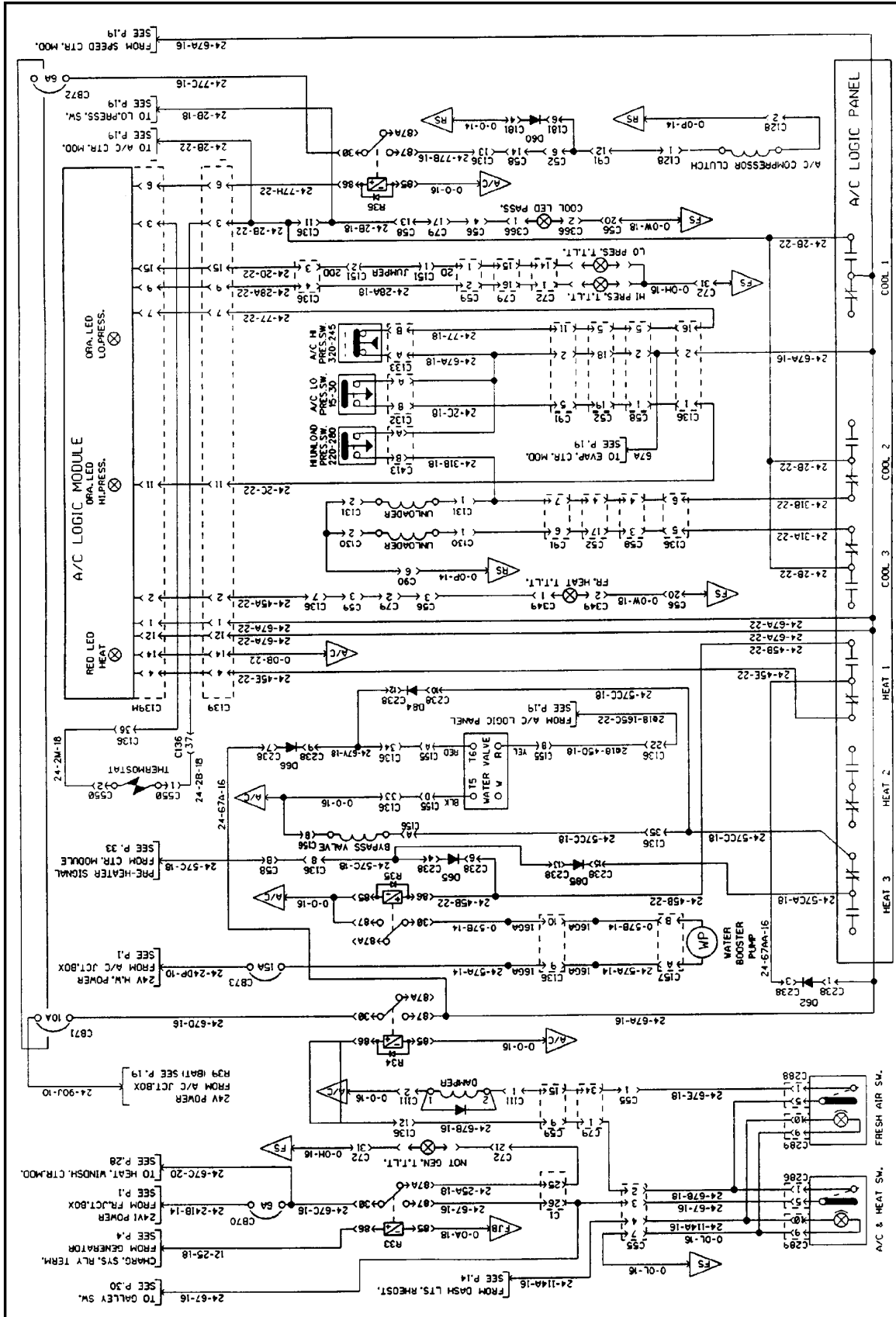
WARRANTY

This modification is covered by the manufacturer's normal warranty. We will reimburse you the parts and a quarter of one hour (0.25) of labor upon receipt of a completed A.F.A. form on which you must specify as per "Warranty Bulletin 98-07".

Parts disposition :

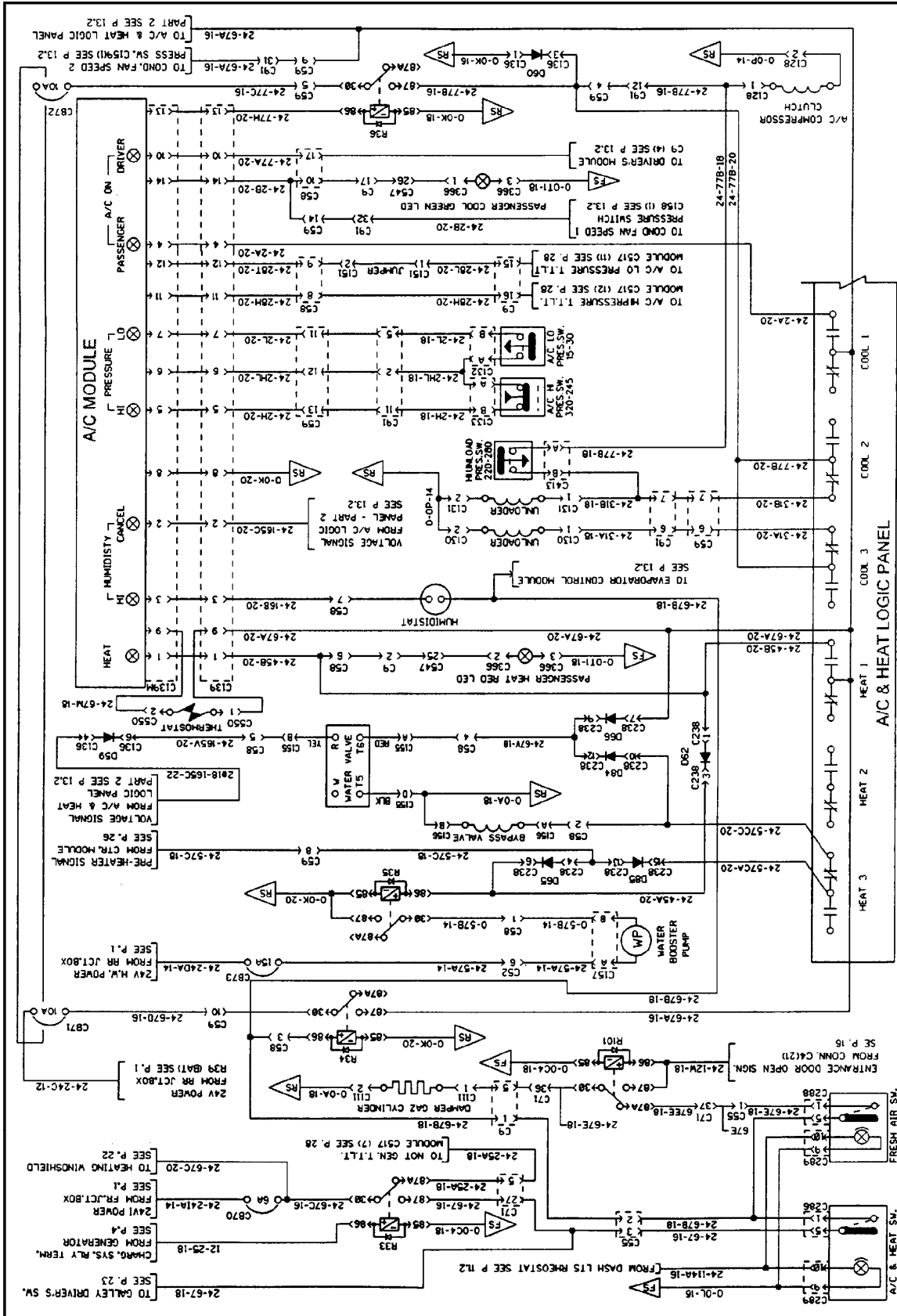
- Discard according to applicable environmental regulations (Municipal/State[Prov.]/ Federal)

Expiration date : June 1999



A/C AND HEAT SYSTEM

PREVOST CAR inc. WIRING DIAGRAM NO: D060869 P. 18 REVISION 02.8

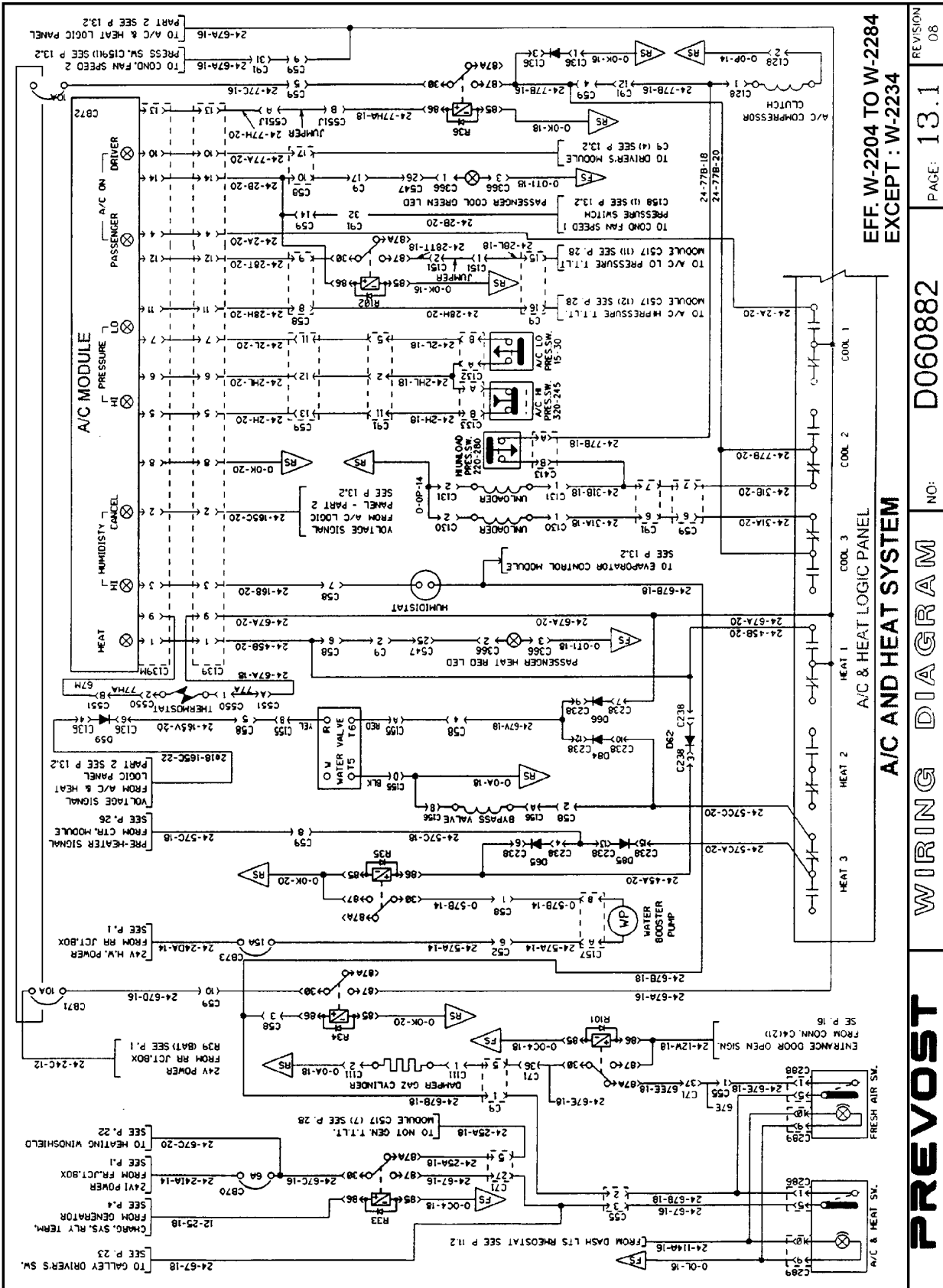


A/C AND HEAT SYSTEM

WIRING DIAGRAM

EFF. V-1779 TO W-2203

NO. **D060882** PAGE: **13.1** REVISION **07**



EFF: W-2204 TO W-2284
EXCEPT: W-2234

A/C AND HEAT SYSTEM

WIRING DIAGRAM

PREVOST

NO: **D060882** PAGE: **13.1**

REVISION: **08**