

**PREVOST**

ENREGISTRÉ - REGISTERED  
ISO 9001 & ISO 14001


**WARRANTY  
BULLETIN**

Wb99-03



DATE: February 1999	SECTION : 28, Body
EXPIRATION: February 2000	
SUBJECT: SECURING THE REAR LIGHTS' CABLES	

**APPLICATION**

Model	VIN
H3-41 and H3-45 coaches Model Year : 1994 - 1999	 <p>From 2P9H33495R1001012 up to 2PCH33490X1012796 incl. except</p> <p>2PCH33498X1012755                      2PCH33496X1012785 2PCH33498X1012772                      2PCH33491X1012788 2PCH33499X1012778                      2PCH33493X1012789 2PCH33490X1012779                      2PCH3349XX1012790 2PCH33497X1012780                      2PCH33491X1012791</p> <p>and</p> <p>From 2PCH33494X1012803 up to 2PCH33493X1012808 incl. except 2PCH3349XX1012806</p>
VIP-45 Model Year : 1995 - 1999	<p>From 2P9V33494S1001057 up to 2PCV33498X1012810 incl. except</p> <p>2PCV33497X1012751                      2PCV33492X1012799 2PCV33499X1012766                      2PCV33492X1012804 2PCV33491X1012793                      2PCV33498X1012807</p>

**DESCRIPTION**

On the above-mentioned vehicles, it is necessary to secure the rear lights' electrical cables to reduce the risk of damage.

**MATERIAL**

Part No.	Description	Qty
504013	Tie mount	2
504248	Rivet*	2
504637	Cable tie	2

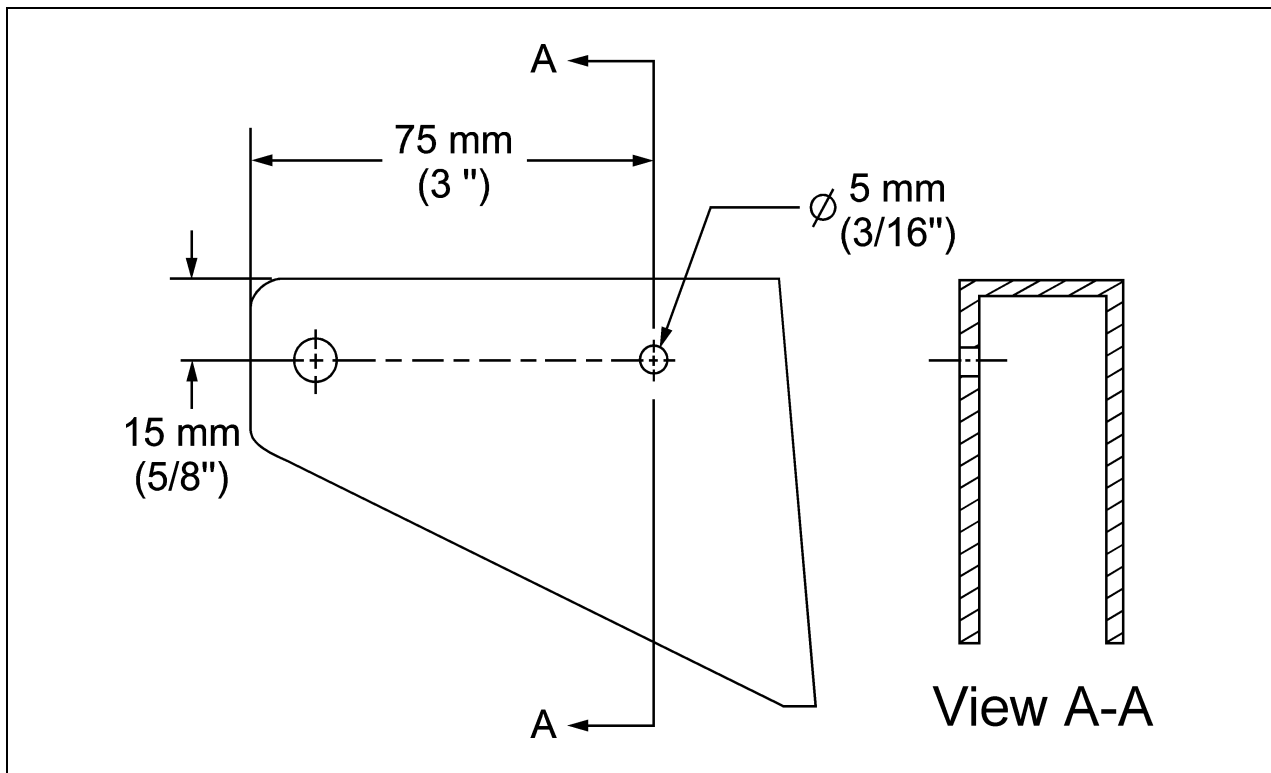
\* It is possible to use #500416 screws and #500423 nuts instead of the rivets.

**Note :** Material can be obtained through regular channels.

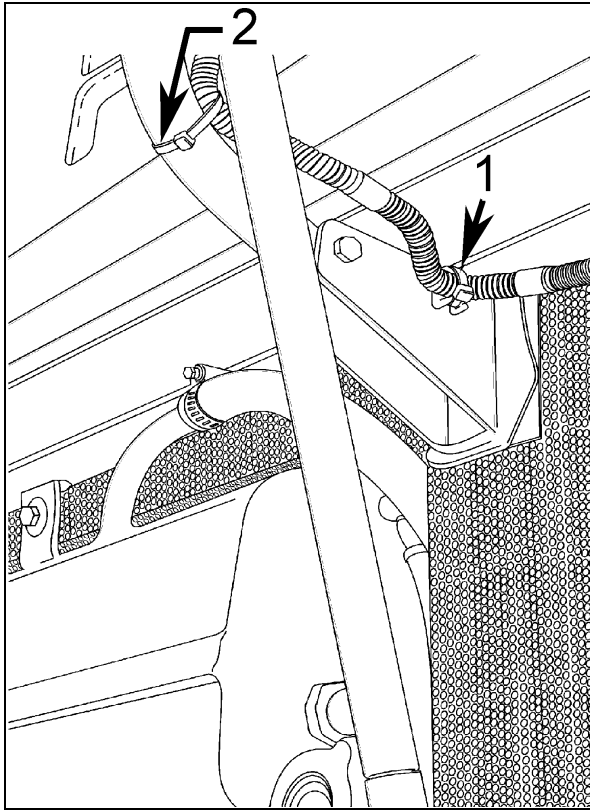
## PROCEDURE

**Warning:** Park vehicle safely, apply parking brake, stop engine and set battery master switch(es) to the OFF position prior to working on the vehicle.

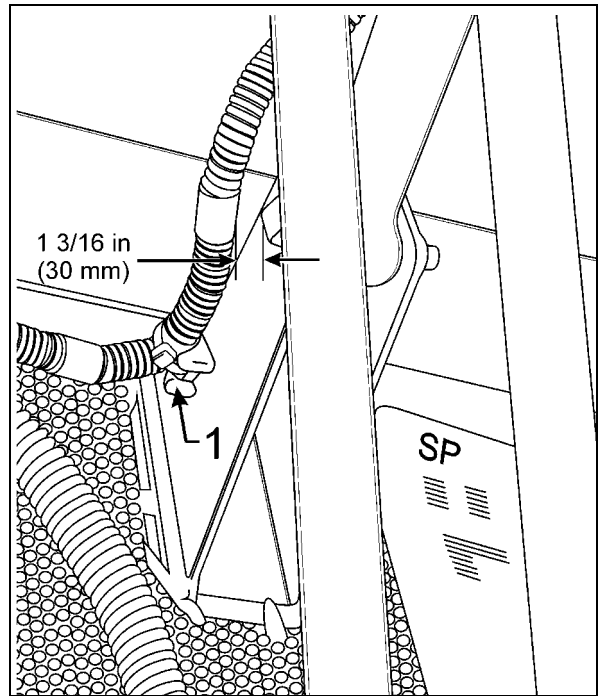
1. Open the rear engine door.
2. Locate the metallic plates holding the top part of the door's cylinders. These plates are located in the upper part of the compartment.
3. Drill a 3/16" (5 mm) hole into the inside part of a metallic plate (figure 1). Fix the tie mount using a rivet or a screw and nut.
4. Fix the lights' electrical cable to the tie mount, using a cable tie (figure 2, item 1). Leave a 1 3/16 in (30 mm) gap between the head of the bolt holding the cylinder and the cable (figure 3). This will reduce the risk of damage to the electrical cable.
5. If needed, fix the cable to the vehicle (figure 2, item 2).
6. Repeat steps 1 to 5 for the other metallic plate.



**Figure 1:** Location of the hole to drill.



**Figure 2:** Rear lights' cables, on the driver side.  
**(1)** Tie mount and cable tie; **(2)** Cable tie.



**Figure 3:** Rear lights' cables, on the entrance door side. **(1)** Tie mount and cable tie.

## WARRANTY

This modification is covered by Prévost Car's normal warranty. We will reimburse you the parts and 15 minutes of labor upon receipt of the parts and a completed A.F.A. form on which you must specify as per "Warranty Bulletin 99-03".

### Parts disposition:

- Discard according the applicable environmental regulations (Municipal/State/[Prov.]/Federal).