

PREVOST

ENREGISTRÉ - REGISTERED
ISO 9001 & ISO 14001

**WARRANTY
BULLETIN**

Wb99-23A



DATE : APRIL 2000	SECTION : 06 - Electrical
EXPIRATION: APRIL 2001	
SUBJECT : "STARTER ON" WARNING LIGHT INSTALLATION IN TELLTALE PANEL	

REVISION : A

PART C TITLE CORRECTED ON ENGLISH VERSION ONLY

APPLICATION

Model	VIN
H3-41 & H3-45 Coaches Model Year : 1997 – 2000	2PCH33419V1011718 and from 2PCH3349XV1011779 up to 2PCH33497Y1013395 incl. except 2PCH3349XY1013312
H3-45 VIP Bus Shells Model Year : 1997 – 1999	From 2PCV33494V1011795 up to 2PCV33490X1013451 incl.
XL-40 & XL-45 Coaches Model Year : 1996 – 2000	From 2PCL33407T1025681 up to 2PCL33493Y1027045 incl.
XL-40 (M), XL-45 (M5) & Entertainer (ME) Bus Shells Model Year : 1996 – 2000	From 2PCM33491T1025680 up to 2PCE33492Y1027028 incl.

DESCRIPTION

On the above-mentioned vehicles, it is necessary to install a "STARTER ON" warning light to tell the driver if the starter should happen to stay engaged after the engine starting.

MATERIAL

For modification of a **H3 series** vehicle, 2PCH33419V1011718 and from 2PCH3349XV1011779 up to 2PCV3349W1012284 except 2PCH33494W1012234, order kit #065217 that includes the following parts:

Part No.	Description	Qty
065213	Harness identified 86F & 86T with 3A fuse	1
065214	Wire identified 86T	1
563022	"STARTER ON" telltale light film	1

For modification of a **H3 series** vehicle, 2PCH33494W1012234 and from 2PCH3349XW1012285 up to 2PCH33497Y1013395, order kit #065216 that includes the following parts:

Part No.	Description	Qty
065212	Relay harness identified OT1, 86T & SP58	1
065213	Harness identified 86F & 86T with 3A fuse	1
561707	Relay 24V with diode	1
563016	"STARTER ON" telltale light film	1

For modification of a **XL series** vehicle, from 2PCM33491T1025680 up to 2PCL33493Y1027045 , order kit #065218 that includes the following parts:

Part No.	Description	Qty
065213	Harness identified 86F & 86T with 3A fuse	1
562113	Indicator light casing 24V	1
065215	Indicator light harness identified 86T & OT1	1
392131	"STARTER ON" telltale light film	1

Note : Material can be obtained through regular channels.

PART A : H3 SERIES VEHICLES ; V1718 AND FROM V1779 UP TO W2284 EXCEPT W2234

PROCEDURE

Warning : Park vehicle safely, apply parking brake, stop engine and set battery master switch(es) to the OFF position prior to working on the vehicle.

1. Open engine compartment R.H. side door (figure 1).
2. Fix 86F end terminal ring of fuse harness (Prévost part 065213) to the Bendix terminal (figure 2). Tighten the nut to a torque of 180 to 240 lb-in.
3. Insert a heat shrinking sleeve and crimp 86T end of fuse harness (Prévost part 065213) to wire SP58 from the E.C.M. (electronic control module) harness, heat the sleeve. Read the following note.

Note : Wire SP58 is a spare wire that comes out of the E.C.M. harness plastic corrugated sleeve. E.C.M. harness starts on the lower right side of the E.C.M. and goes along the inclined square tube on the engine right side. For location of wire SP58, see figure 3.

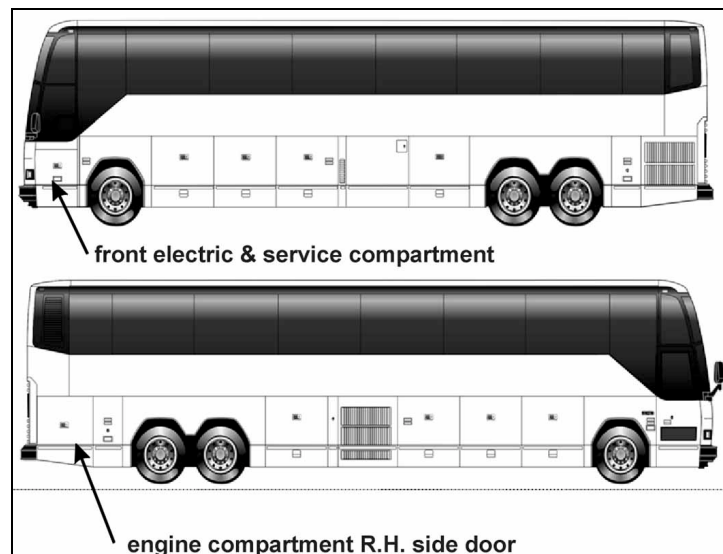


FIGURE 1 : LOCATION OF COMPARTMENTS

4. In the driver's area, remove the dashboard cover.
5. Insert wire 86T (Prévost part 065214) to port #12 (coach) or port #2 (VIP bus shell) into connector C516, identified with a tag (figure 4).
6. Locate wire SP58 (gray) behind the dashboard.
7. Connect wire 86T (Prévost part 065214) to wire SP58.
8. Remove the telltale panel fixing screws and pull out the telltale panel.

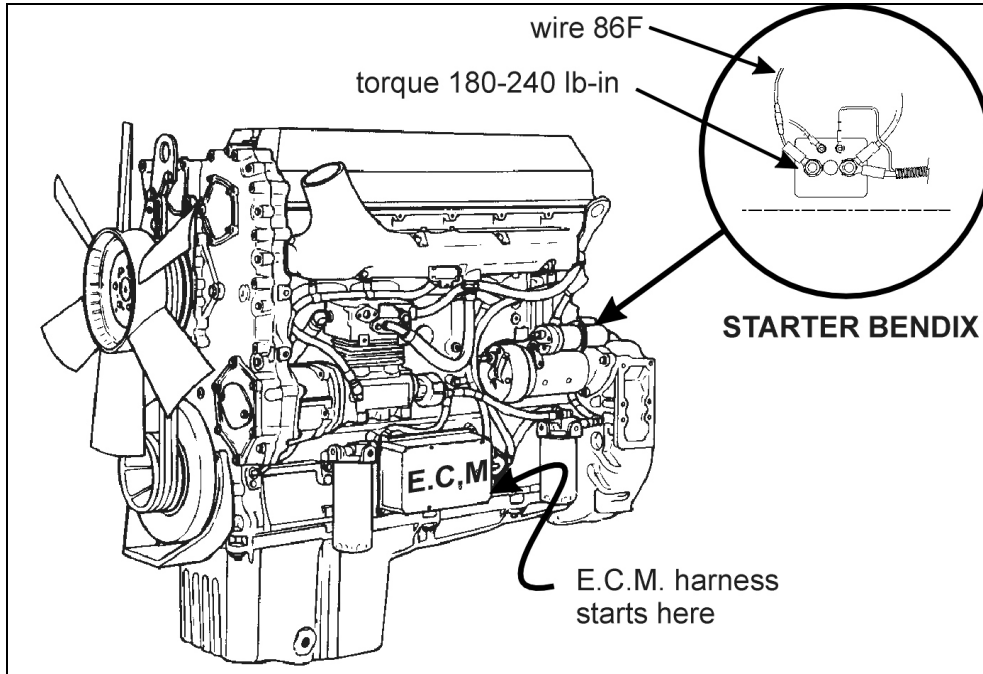


FIGURE 2 : BENDIX LOCATION

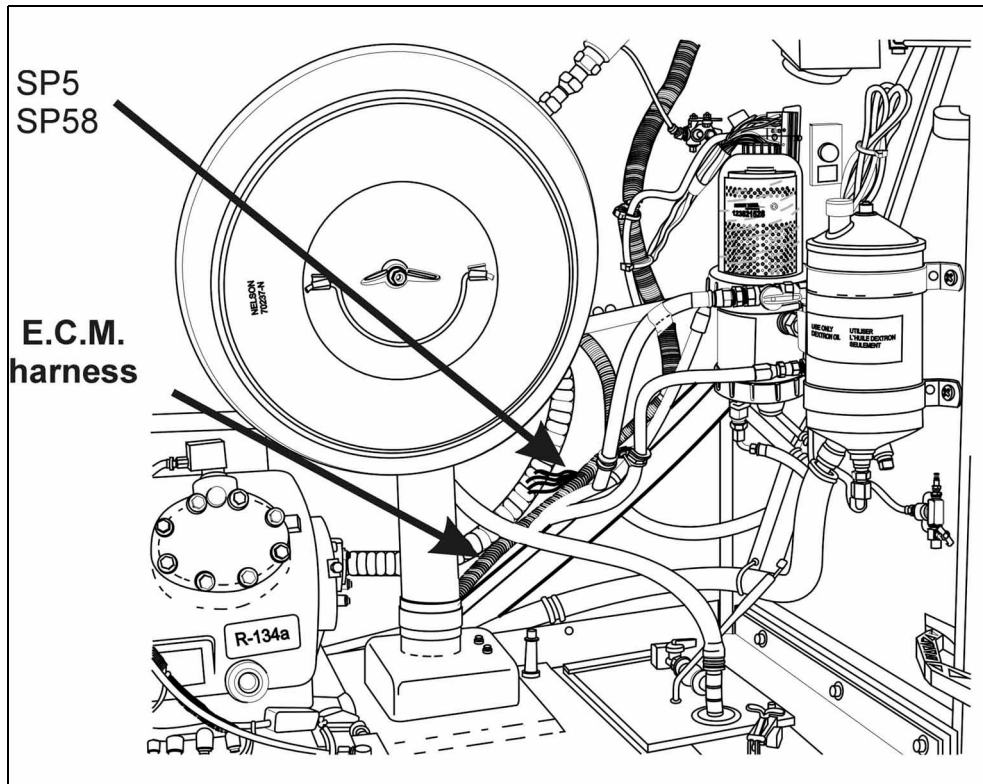


FIGURE 3 : LOCATION OF E.C.M. HARNESS, WIRE SP58 (H3) AND WIRE SP5 (XL)

9. Insert the "STARTER ON" telltale light film (Prévost part 563022) into the telltale panel by the opening on the top (figure 4).
10. Reinstall the telltale panel and tighten the fixing screws.

11. Set battery master switch(es) to the ON position and start the engine. The "STARTER ON" warning light should switch on during the engine starting, then switch off.
12. Secure all wires with nylon cable ties and reinstall dashboard cover.
13. Close all access doors. The installation is now completed.

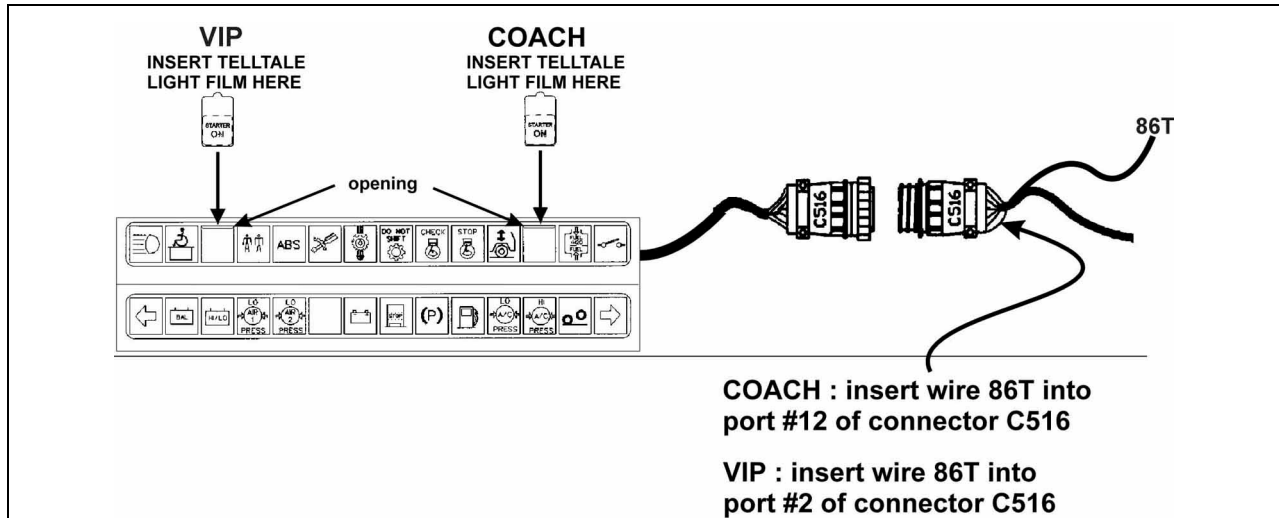


FIGURE 4 : TELLTALE PANEL AND CONNECTOR C516

PART B : H3 SERIES VEHICLES ; W2234 AND FROM W2285 UP TO Y3395

PROCEDURE

Warning : Park vehicle safely, apply parking brake, stop engine and set battery master switch(es) to the OFF position prior to working on the vehicle.

1. Open engine compartment R.H. side door (figure 1).
2. Fix 86F end terminal ring of fuse harness (Prévost part 065213) to the Bendix terminal (figure 2). Tighten the nut to a torque of 180 to 240 lb-in.
3. Insert a heat shrinking sleeve and crimp 86T end of fuse harness (Prévost part 065213) to wire SP58 from the E.C.M. (electronic control module) harness, heat the sleeve. Read the following note.

Note : Wire SP58 is a spare wire that comes out of the E.C.M. harness plastic corrugated sleeve. E.C.M. harness starts on the lower right side of the E.C.M. and goes along the inclined square tube on the engine right side. For location of wire SP58, see figure 3.

4. In the driver's area, disconnect the microphone cable and remove the dashboard cover (figure 5).
5. Disconnect the microphone connector cable on the internal face of the dashboard cover.
6. Insert 86T end (red) of relay harness (Prévost part 065212) to port #10 of connector C571, identified with a tag (figure 6).
7. Locate wire SP58 (gray) behind the dashboard (figure 6).
8. Connect SP58 end of relay harness (Prévost part 065212) to wire SP58.
9. Fit together the relay base and a relay base already in place behind the dashboard. Insert the relay (Prévost part 561707) on the base.

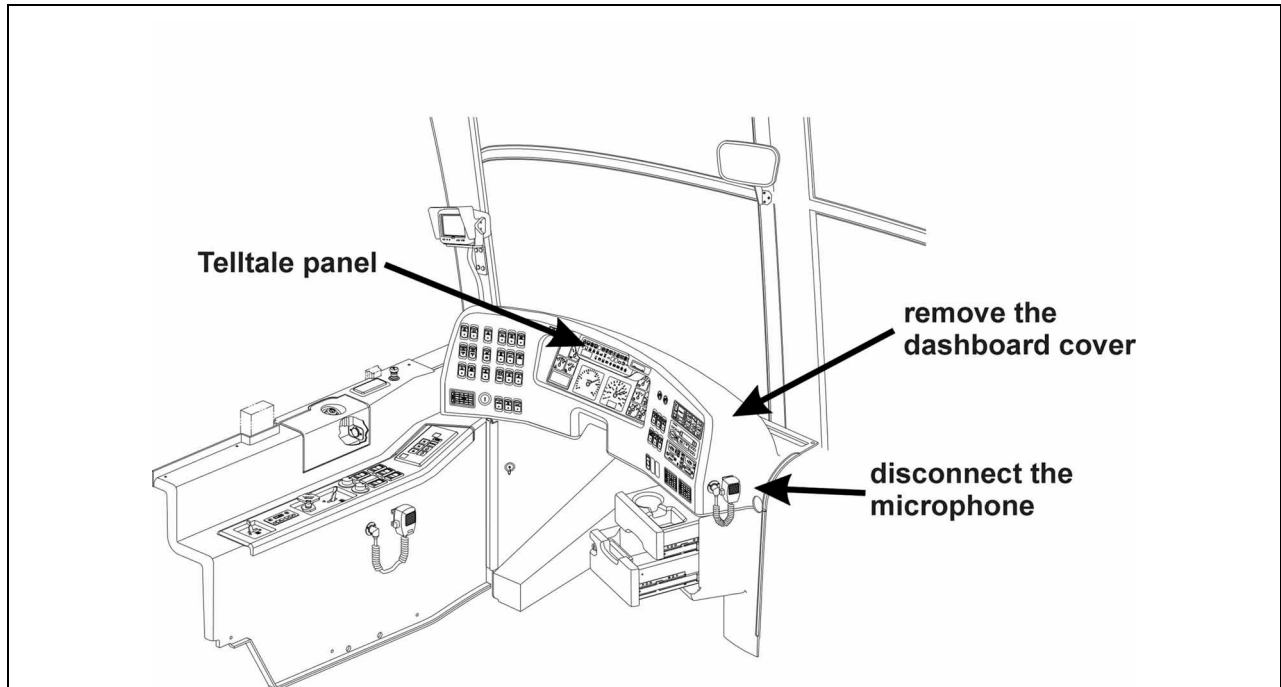


FIGURE 5 : DRIVER'S AREA

10. Route OT1 end of relay harness through the front electric compartment by the access way in the left corner, behind the dashboard.
11. In the front electric compartment, fix OT1 ring terminal to a ground stud.
12. Remove the telltale panel fixing screws and pull out the telltale panel (figure 6).
13. Insert the "STARTER ON" telltale light film (Prévost part 563016) into the telltale panel by the opening on the top (figure 7).
14. Reinstall the telltale panel and tighten the fixing screws.
15. Set battery master switch(es) to the ON position and start the engine. The "STARTER ON" warning light should switch on during the engine starting, then switch off.

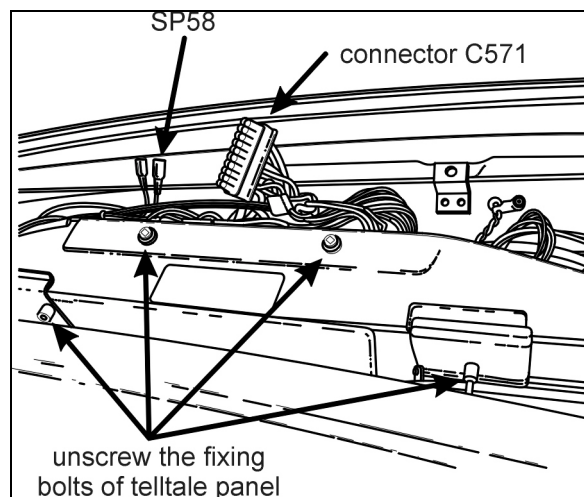


FIGURE 6 : UNDER THE DASHBOARD COVER

16. Secure all wires with nylon cable ties, reconnect the microphone cables and reinstall the dashboard cover.

17. Close all access doors. The installation is now completed.

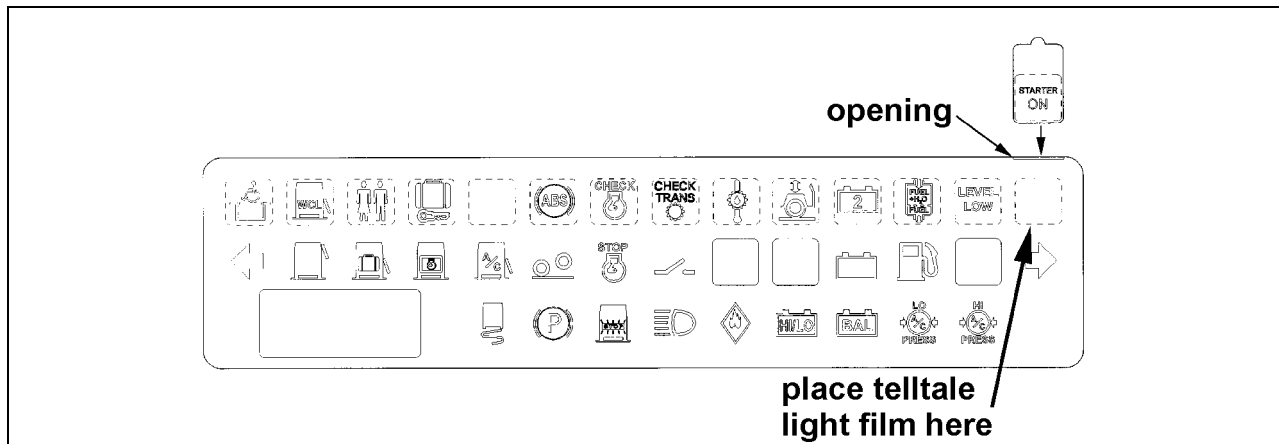


FIGURE 7 : TELLTALE PANEL

PART C : XL SERIES VEHICLES ; FROM T5680 UP TO Y7045

PROCEDURE

Warning : Park vehicle safely, apply parking brake, stop engine and set battery master switch(es) to the OFF position prior to working on the vehicle.

1. Open engine compartment R.H. side door (figure 8).
2. Fix 86F end terminal ring of fuse harness (Prévost part 065213) to the Bendix terminal (figure 2). Tighten the nut to a torque of 180 to 240 lb-in.
3. Insert a heat shrinking sleeve and crimp 86T end of fuse harness (Prévost part 065213) to wire SP5 from the E.C.M. (electronic control module) harness, heat the sleeve. Read the following note.

Note : Wire SP5 is a spare wire that comes out of the E.C.M. harness plastic corrugated sleeve. E.C.M. harness starts on the lower right side of the E.C.M. and goes along the inclined square tube on the engine right side. For location of wire SP5, see figure 3.

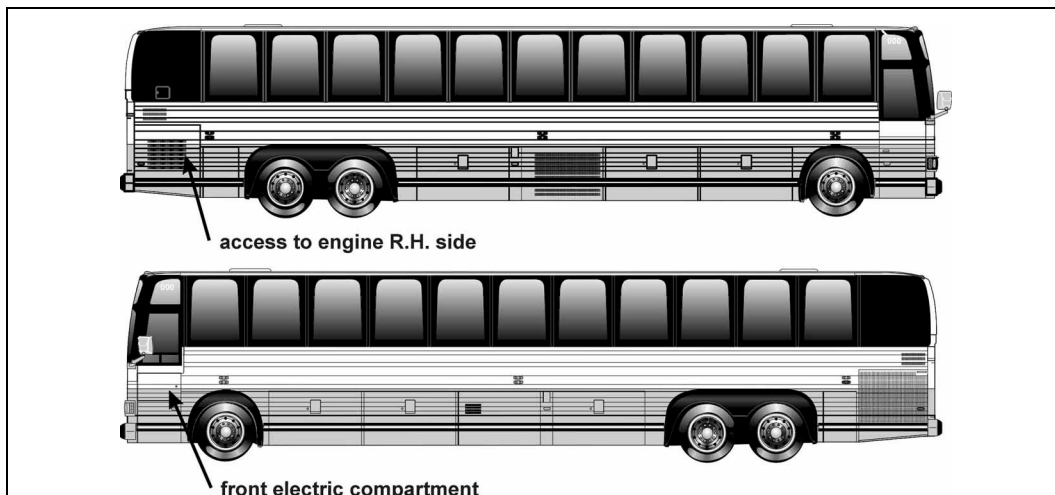


FIGURE 8 : LOCATION OF COMPARTMENTS

4. Open the front electric compartment door (figure 8).
5. Place the "STARTER ON" telltale light film (Prévost part 392131) inside the indicator light casing (Prévost part 562113).

6. In the driver's area, insert the indicator light casing in an available space on the telltale panel (figure 9).
7. Remove the dashboard panel (figure 9).
8. Connect one end of wire OT1 & 86T (Prévost part 065215) to the indicator light casing terminals.
9. Route the other end of wire OT1 & 86T through the front electric compartment by the access way in the left corner , behind the dashboard.
10. In the front electric compartment, connect wire OT1 ring terminal to stud 89 and connect wire 86T to wire SP5 (figure 10).

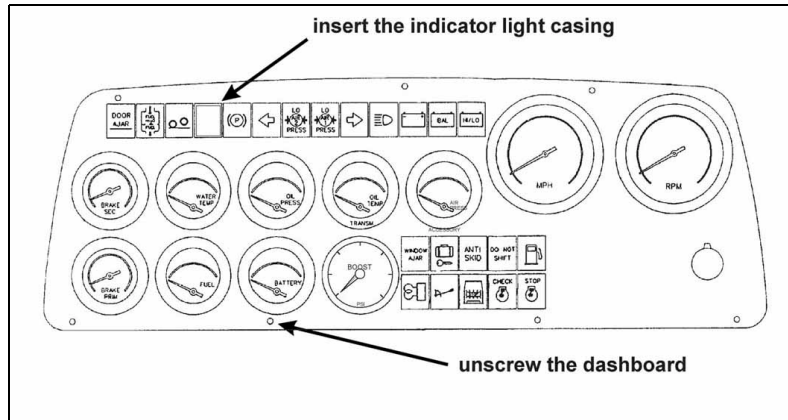


FIGURE 9 : DASHBOARD

11. Set battery master switch(es) to the ON position and start the engine. The "STARTER ON" warning light should switch on during the engine starting, then switch off.
12. Secure all wires with nylon cable ties and reinstall the dashboard panel.
13. Close all access doors. The installation is now completed.

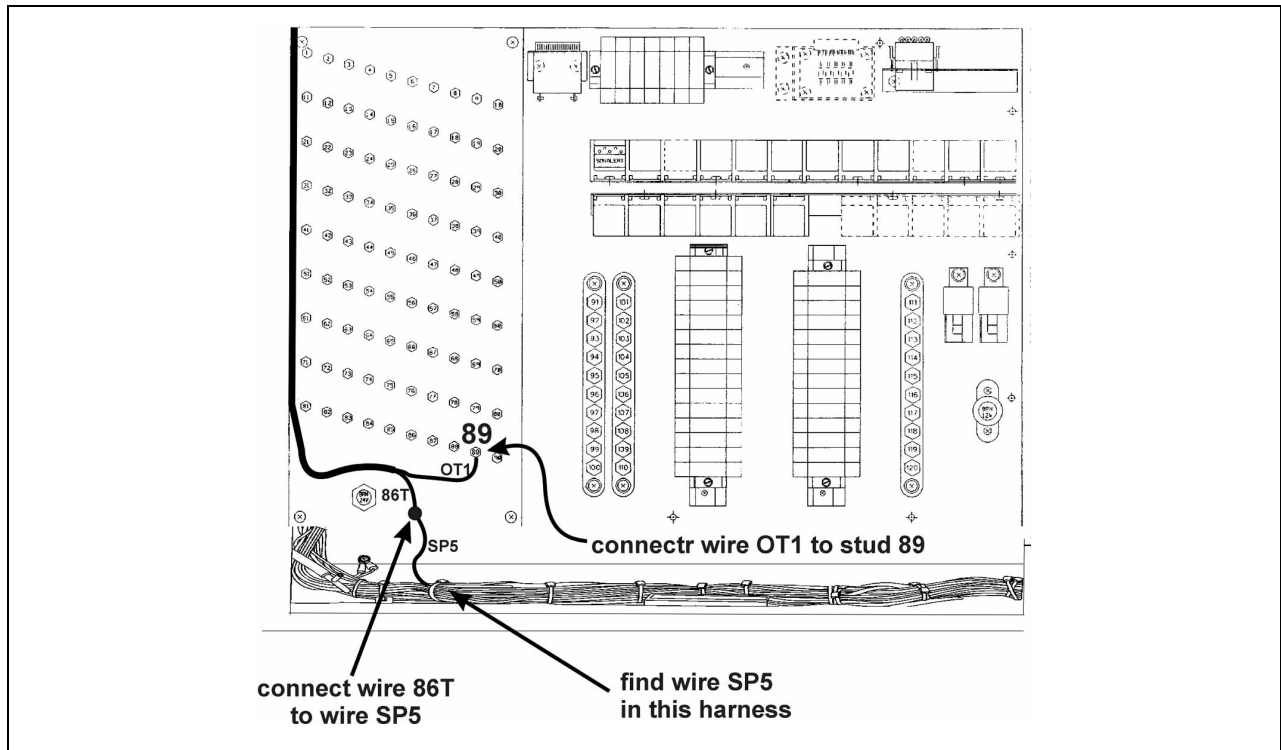


FIGURE 10 : FRONT ELECTRIC COMPARTMENT

WARRANTY

This modification is covered by Prévost Car's normal warranty. We will reimburse you the parts and ONE hour (1.0) of labor upon receipt a completed A.F.A. form on which you must specify as per "Warranty Bulletin 99-23A".

Parts disposition :

- Discard according to applicable environmental regulations (Municipal/S tate[Prov.]/ Federal)