

PREVOST

Instruction Sheet

IS-13106A

Slide-out Linear Bearing and Guides Kit

Revision A

Rail screws & finishing plugs added to kit

02/22/2021

APPLICATION

All 2014 and older Prevost H Series converted vehicles equipped with one or more slide-out(s).	Up to vehicle 2PCVS3498 <u>EC712640</u> incl.
All 2014 and older Prevost X Series converted vehicles equipped with one or more slide-out(s).	Up to vehicle 2PCC33490 <u>EC&35687</u> incl.

MATERIAL

Kit #479623 includes the following parts; two (2) kits are required for each slide-out:

Part No.	Description	Qty
478820	Spacer, Acetal Block	1
478821	RH Acetal Block	1
478822	LH Acetal Block	1
478823	Spacer, Linear Bearing	1
478827	Bearing, Linear Slide-Out	1
5001928	Hex Screw M12 – 1.75 X 35	4
504757	Finishing Plug / Rail Guide	12
5001617	Socket Head Cap Screw M14-2.0x55 G10.9 DP	12
IS-13106	Instruction Sheet EN	1
FI-13106	Instruction Sheet FR	1

Order one of the following part number depending on the slide-out rails length; (2) req. for each slide-out:

Part No.	Description	Qty
478824	Slide-out Rail 753mm	2 per slide-out
478825	Slide-out Rail 904mm	2 per slide-out
478826	Slide-out Rail 1058mm	2 per slide-out

NOTE

Material can be obtained through regular channels.

PROCEDURE



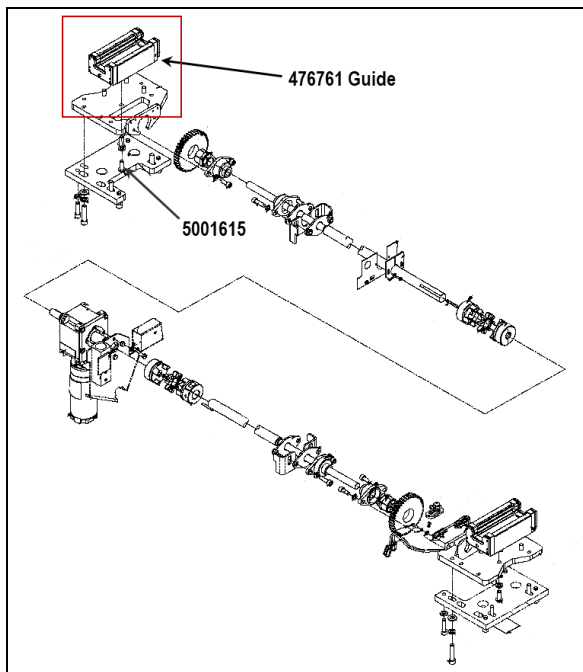
DANGER

Park vehicle safely, apply parking brake, stop engine and set battery master switch(es) to the OFF position prior to working on the vehicle.

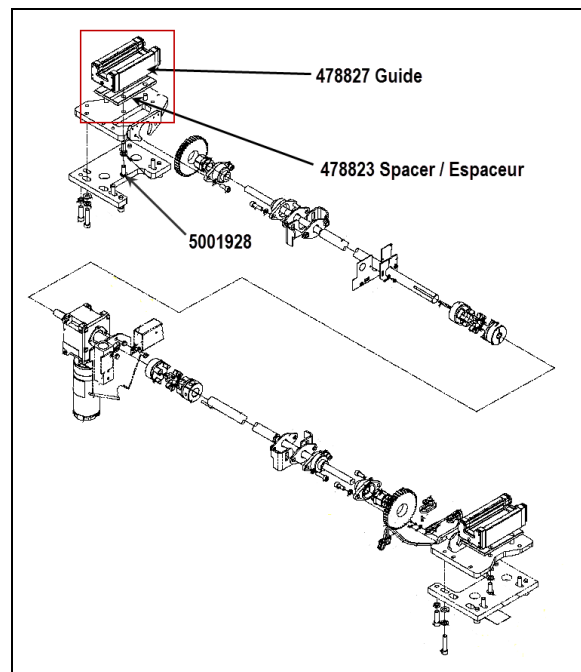
1. This kit is intended to allow the installation of the current version of the slide-out rails on 2014 and older vehicles (see application chart above). This version of the rails offers better corrosion resistance and is currently used in production vehicles.

*Take note that the correct length rails for the application must be ordered separately from the kit and that **two (2) rails and two (2) kits are required for each vehicle slide-out.***

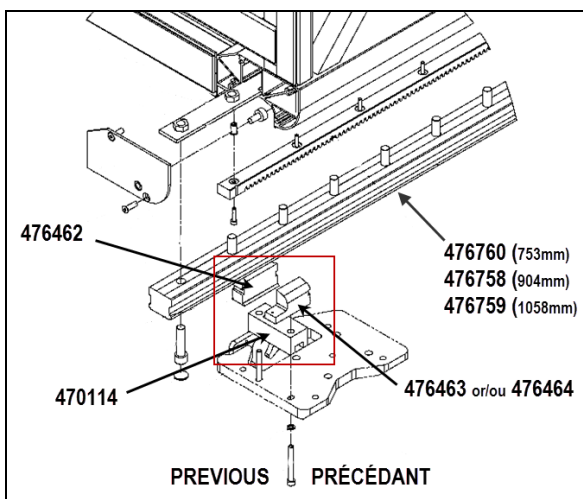
The illustrations below highlights the differences between the old and the new version of the rails and will serve as a guide for proper installation of the new components.



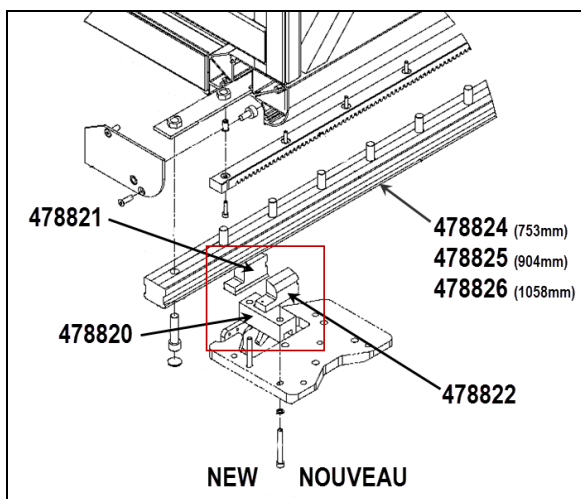
Rail Guide Previous Version



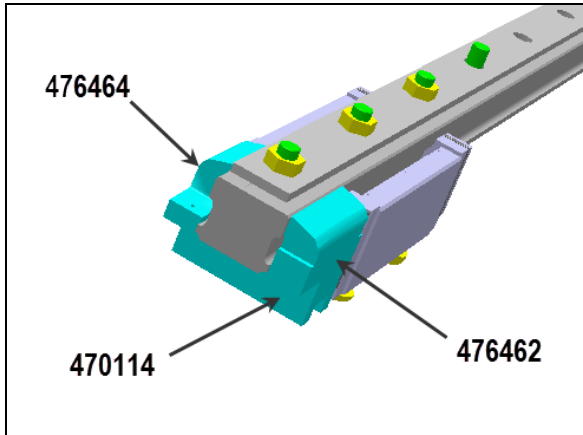
Rail Guide and Spacer New Version



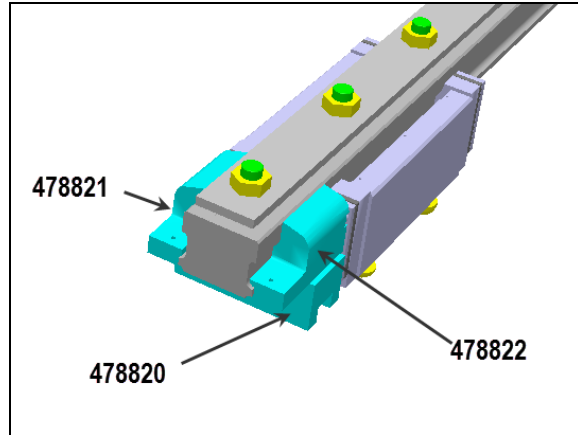
Rail Blocks Previous Version



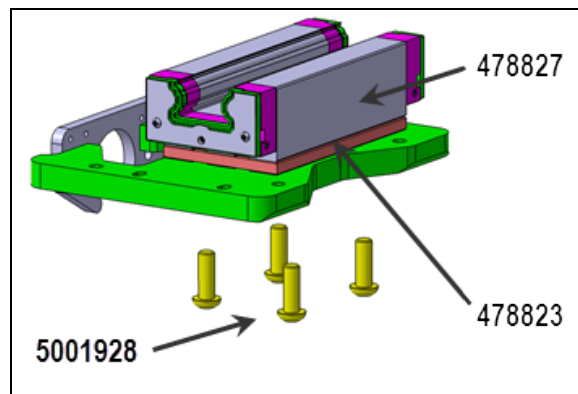
Rail Blocks New Version



Old Blocks Installation Details



New Blocks Installation Details

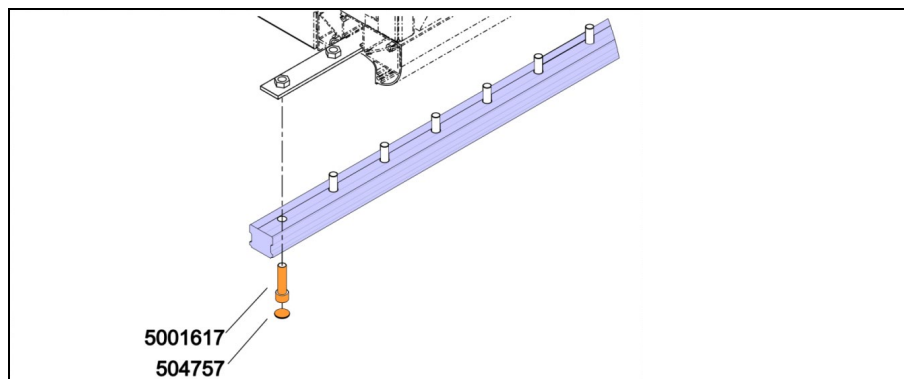


New Linear Bearing and Spacer installed

Kit #479623 also provides 12 new slide rails cap screws and finishing plugs. It is important to torque these bolts to the correct torque and use medium strength thread locker (Loctite Blue #243 or equivalent) on the threads.

Tighten all screws to **90-100 lb-ft (122-136 Nm)**

Finishing plug should be mounted flush with rail surface to avoid seal damage.



PARTS / WASTE DISPOSAL

Discard waste according to applicable environmental regulations (Municipal/State[Prov.]/ Federal)