

PREVOST

Instruction Sheet

IS-13901

I-Shift Gear Control Selector Upgrade

MATERIAL

Kit #7775005 includes the following parts:

Part No.	Description	Qty
22048795	GEAR PAD SELECTOR	1
22016587	PANEL (Replacement)	1
22043067	WIRING HARNESS	1
983472	CABLE TIES	15
IS13901	INSTRUCTION SHEET	1

Removed part(s):

Part No.	Description	Qty
21937986	GEAR SHIFT LEVER	1
21078528	PANEL (Original)	1

Modified Part(s)

Part No.	Description	Qty
21827120	SIDE PANEL	1

NOTE

Material can be obtained through regular channels.

PROCEDURE



DANGER

Park vehicle safely, apply parking brake, stop engine and set battery master switch(es) to the OFF position prior to working on the vehicle.

NOTE

Instructions below describe how to replace the I-Shift transmission gear selector lever with a new gear pad selector on the Volvo 9700 USCAN buses.

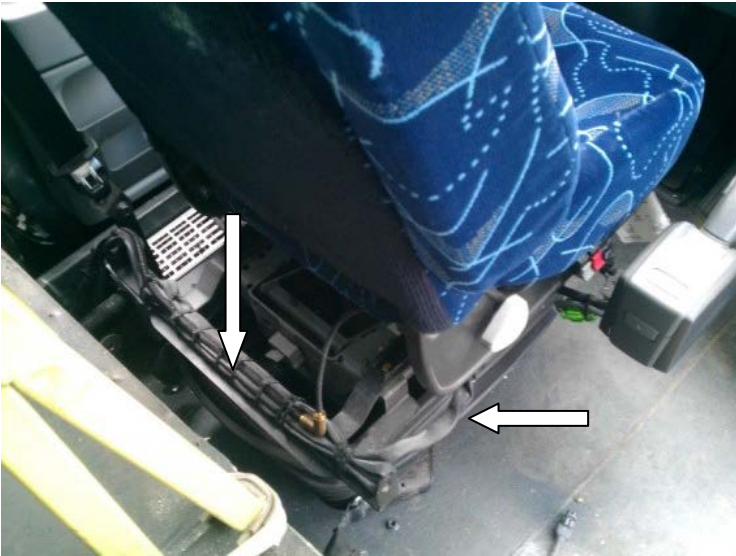
1. Remove the I-Shift gear selector lever from the driver's seat.



2. Disconnect the electrical harness from the gear selector lever bracket.



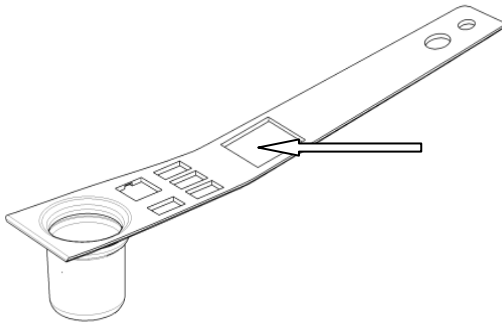
3. Remove the harness from the driver's seat.



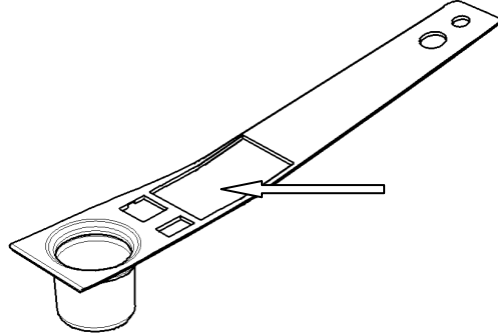
4. Remove the magazine rack (1) and side register from side panel (2), disconnect the switch, mirrors control and TPMS display if applicable (3) and remove the panel cover (4).



Note: The original panel cover will not be reused, a new panel cover with a larger opening is provided in the kit (#22016587).

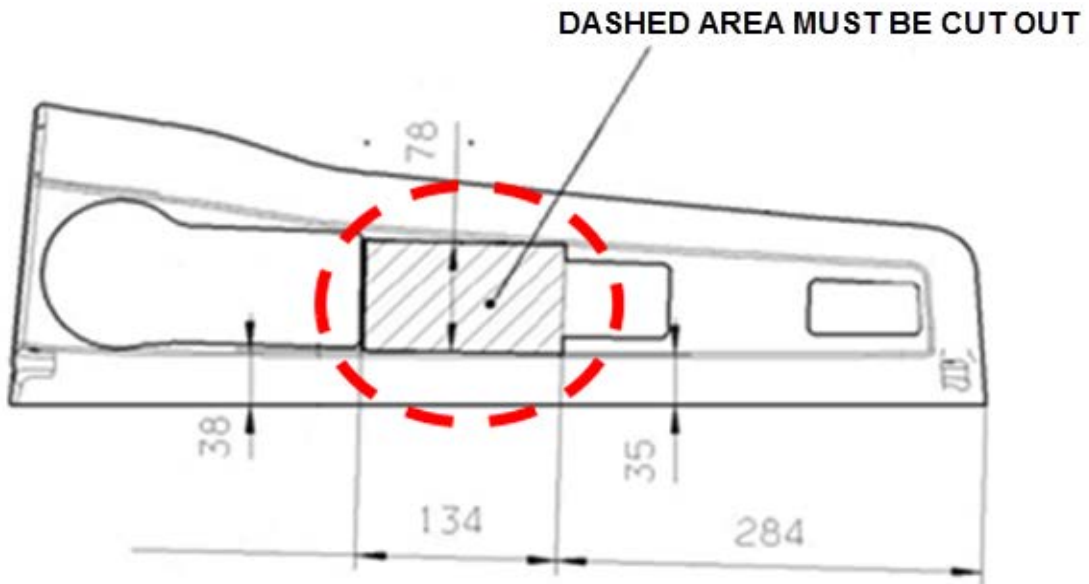


Original Cover #21078528 & Opening.



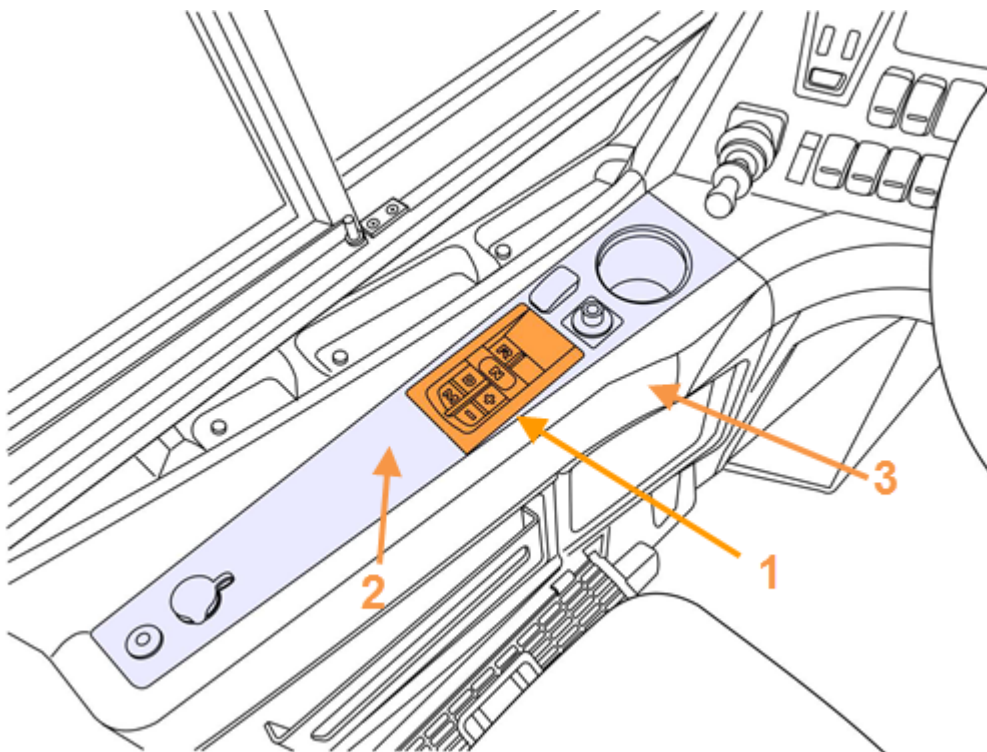
Replacement Cover #22016587 & Opening.

5. Cut the upper side panel cover surface as shown on image below to fit the new cover opening.



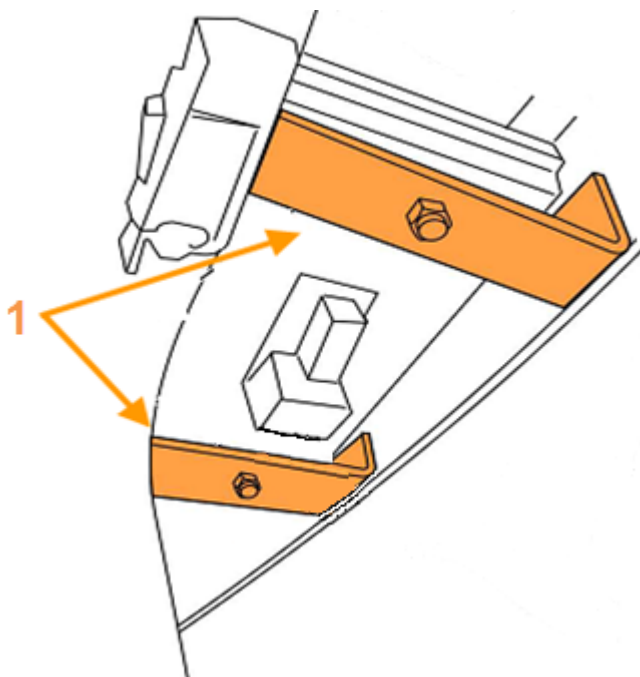
Note: The cut can be done with the side panel still in place.

6. Insert the gear selector pad #22048795 (1) in the new panel cover #22016587 (2) and the panel cover in the side panel (3); see the figure below.

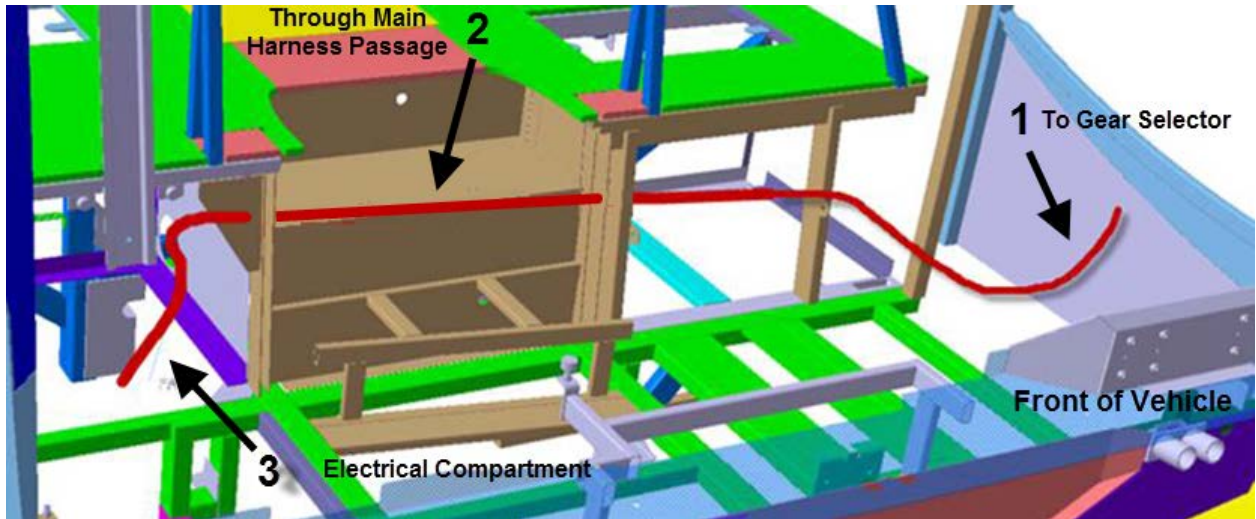


Note: New gear selector pad (1).

7. Install the two mounting brackets (1) to secure the gear selector pad (under the upper side panel cover).



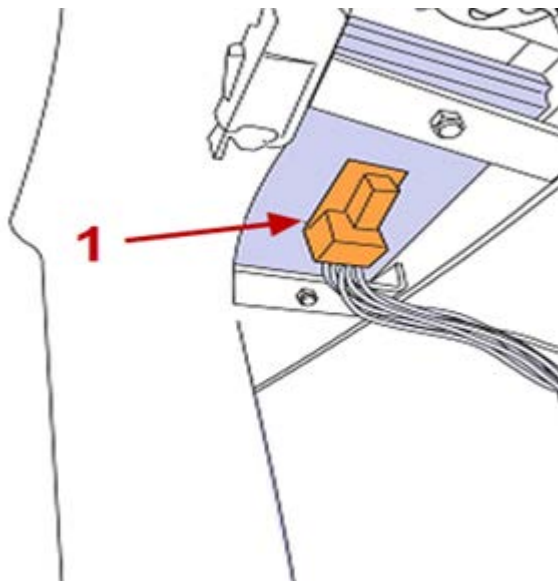
8. The replacement chassis harness (#22043067) must be routed through the main electrical harness passage in the audio & video compartment (behind the driver seat) and under the front aisle stairs (2). Start from side panel(1) all the way to electrical center compartment at the left of the vehicle(3).



9. Route the wiring harness into the side panel to connect the gear selector pad.



10. Connect the wiring harness to the gear selector pad. Secure the wiring harness with cable ties.



Note: Also connects the mirrors control, switches and TPMS display if applicable.

11. Connect the new gear selector pad harness in the GBX connector located in the electrical compartment power distribution center.

Note: The Yellow line connects to pin #7 and the green line to pin #8.



12. Reinstall the magazine rack and side register.



Note: The new gear selector pad must be installed as shown.

13. Start the vehicle and verify proper transmission functions.

ESTIMATED TIME

The time required to perform this service procedure is approximately: **1 hr.**

PARTS / WASTE DISPOSAL

Discard waste according to applicable environmental regulations (Municipal/State[Prov.]/ Federal)